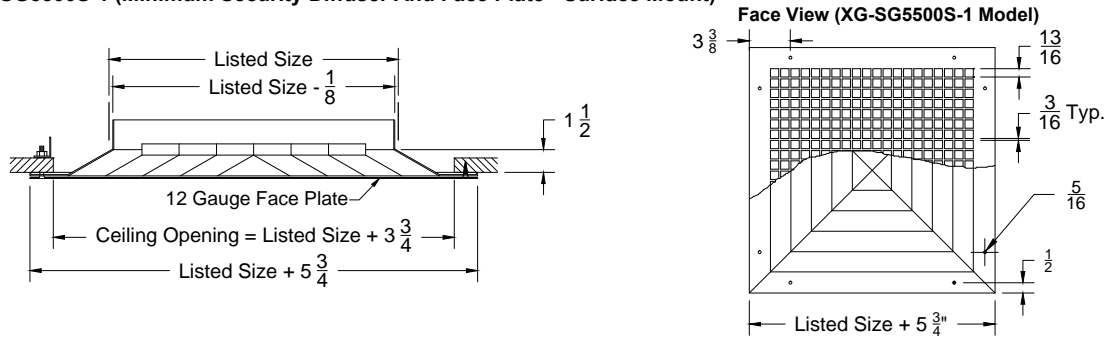


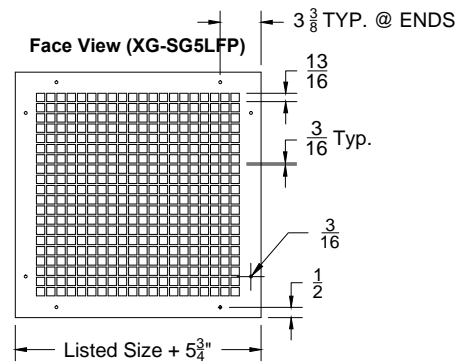
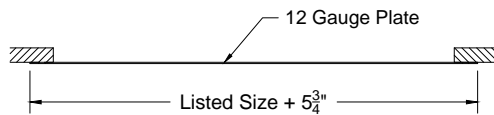
Minimum Security Diffuser Steel

- Models: **XG-SG5500S-1** Diffuser and Face Plate - Surface Mount
 Option: **XG-SG5500S-1 D5** Diffuser And Face Plate - With Steel Neck Mounted Damper - Surface Mount
XG-SG5500S-1 D5A Diffuser And Face Plate - With Aluminum Neck Mounted Damper - Surface Mount

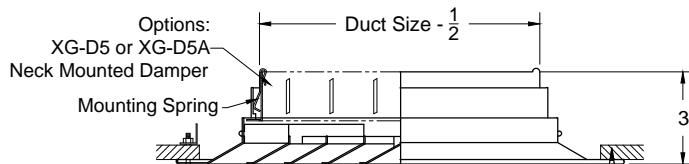
Model: **XG-SG5500S-1 (Minimum Security Diffuser And Face Plate - Surface Mount)**



SG5LFP - Steel Face Plate for XG-SG5500S



- Model: **XG-SG5500S-1 D5**
 (Minimum Security Diffuser And Face Plate - Surface Mount) - With D5 Steel Neck Mount Damper
 Model: **XG-SG5500S-1 D5A**
 (Minimum Security Diffuser And Face Plate - Surface Mount) - With D5A Aluminum Neck Mount Damper



Notes: (check if provided)

1. Available Finishes	2. Available Accessories	3. Available Options	4. Construction Details
Standard Finish: 01 White. Note: Contact Factory for other finishes.	XG-D5 - Steel, Neck Mount Damper. XG-D5A - Aluminum, Neck Mount Damper.		<ul style="list-style-type: none"> ● Neck Sizes available in 3" increments as listed. ● Face plate is 12 gauge steel. Overall face plate dimension is Listed Size + 5-3/4. ● Pre-drilled holes are included in both the lattice face and louvered diffuser. The two pieces are shipped unattached and must be field assembled with tamper proof fasteners, provided by others.