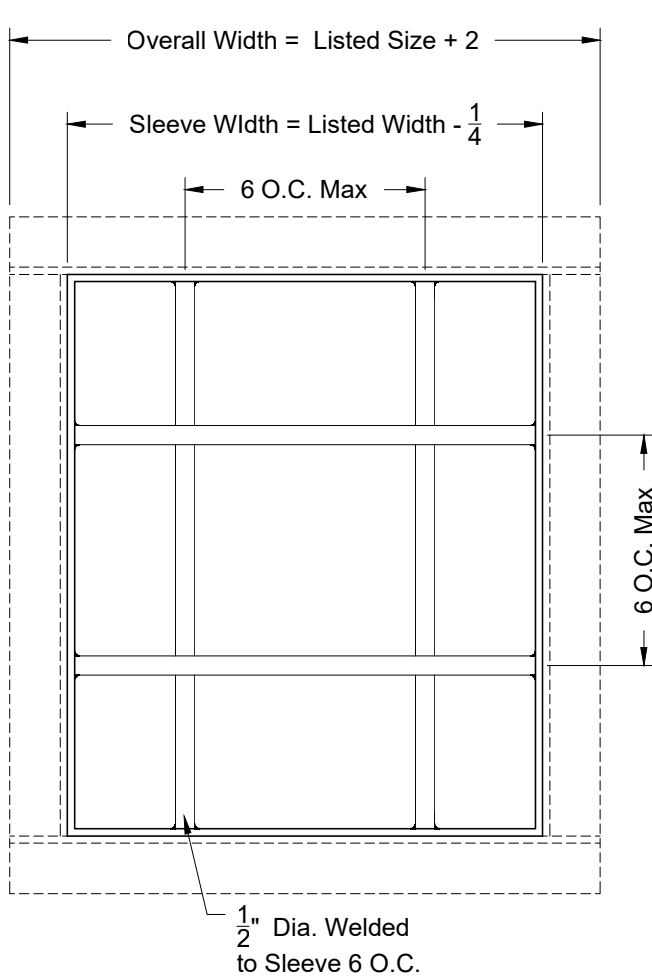


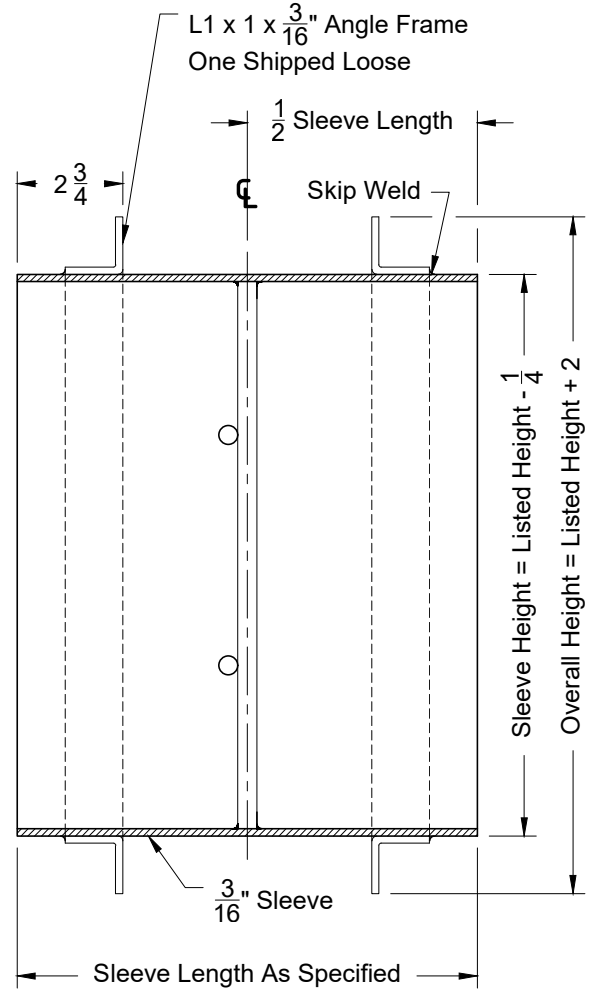
Model: XG-SGDB

Duct Bars Welded in Sleeve - 4"-12" or 13"-16" Sleeve Size - Surface Mount

XG-SGDB - Surface Mount



Face View



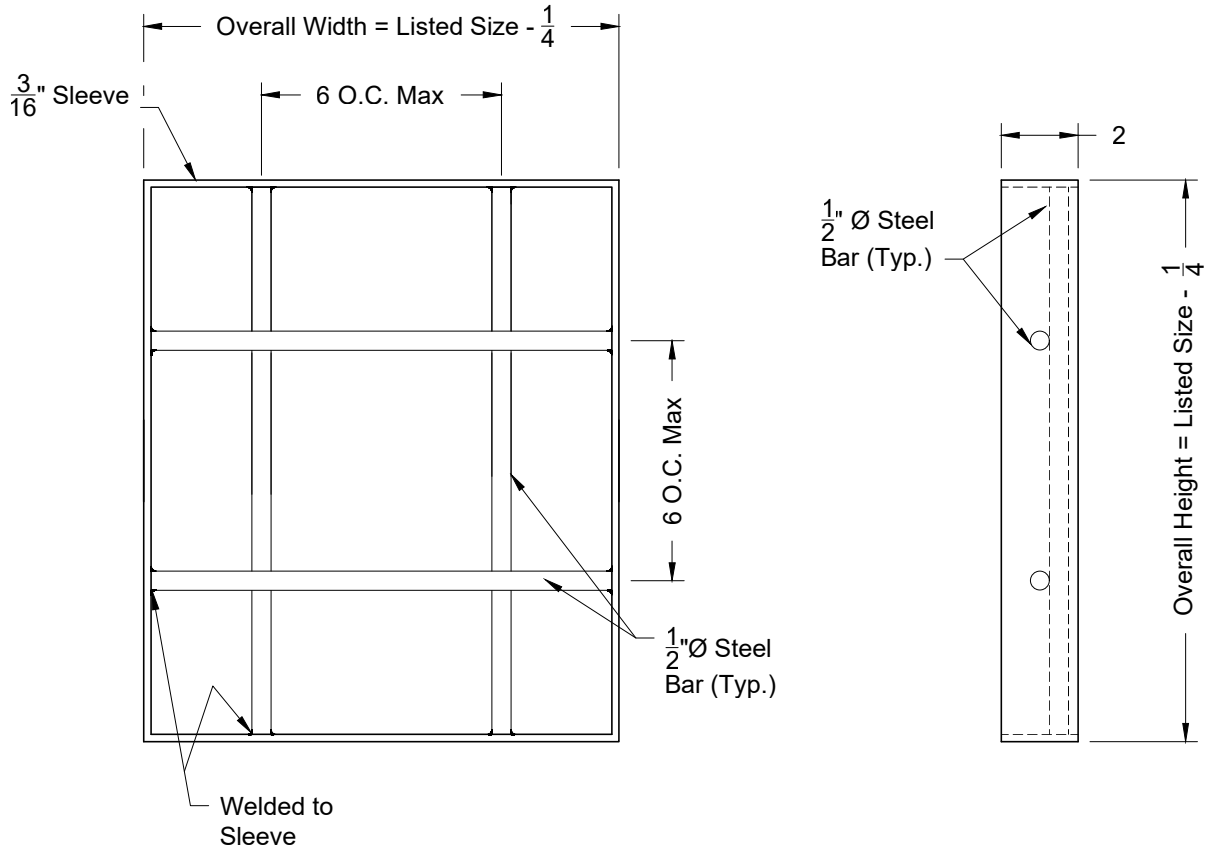
Side View

1. Available Finishes	2. Available Accessories	3. Available Options	4. Construction Details
Standard Finish: 01 White			<ul style="list-style-type: none"> <li>• Neck Sizes available as listed Sleeve is 3/16" steel, Bars are 1/2" round on maximum 6" centers vertical and horizontal.</li> <li>• Two angle frames included, one is welded to sleeve, one shipped separately.</li> <li>• X = Sleeve Length ( Must be specified )</li> </ul> <p>All Dimensions <math>\pm 1/16</math>"</p>

Model: XG-SGDF

Bars Welded in a 2" Flat Frame for Duct Mounting - Flush Surface Mount

XG-SGDF - Flush Surface Mount



Face View

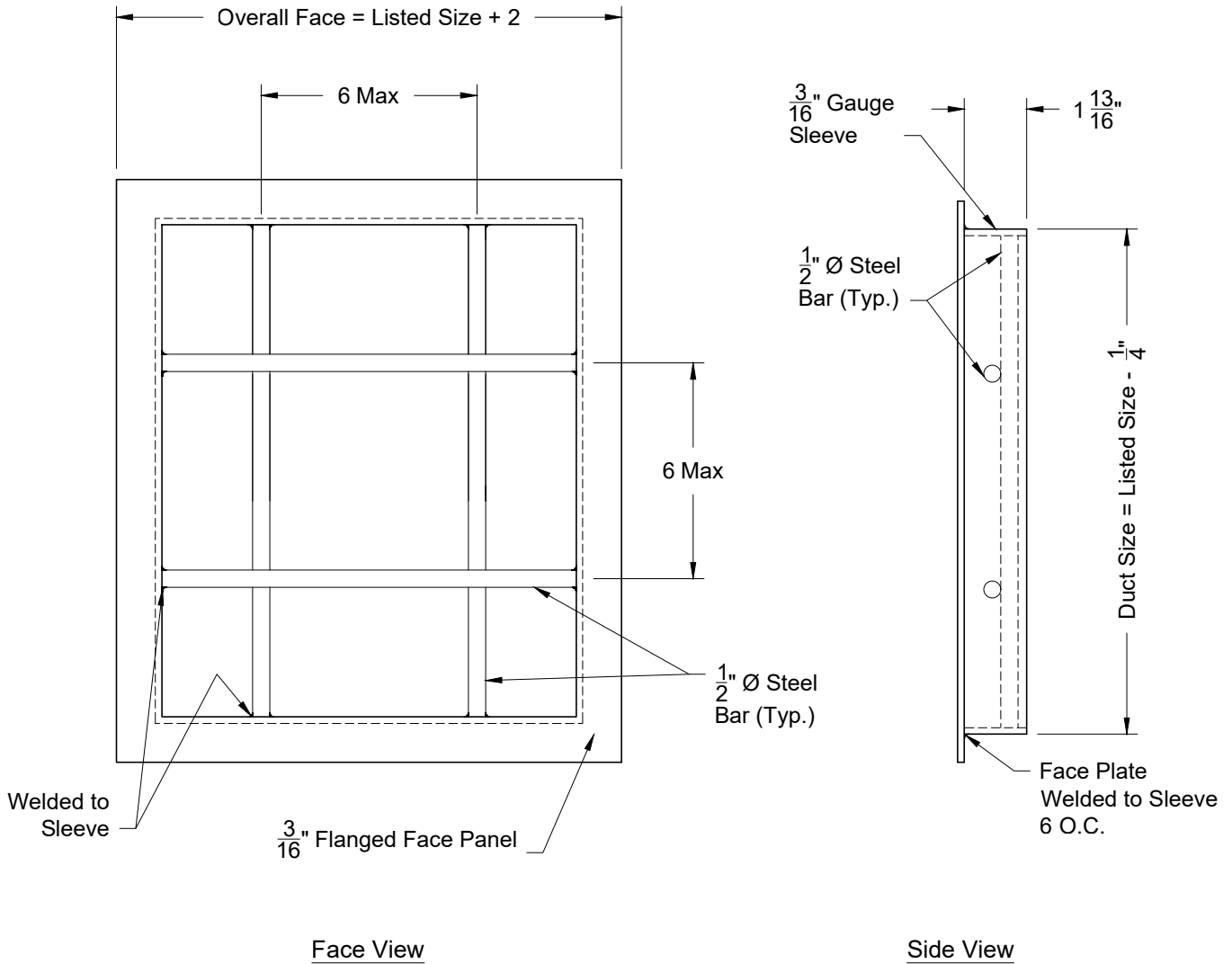
Side View

1. Available Finishes	2. Available Accessories	3. Available Options	4. Construction Details
Standard Finish: 01 White			<ul style="list-style-type: none"> <li>• Neck Sizes available as listed Sleeve is 3/16" steel, Bars are 1/2" round on maximum 6" centers vertical and horizontal.</li> <li>• Two angle frames included, one is welded to sleeve, one shipped separately.</li> <li>• X = Sleeve Length ( Must be specified )</li> </ul> <p>All Dimensions ±1/16"</p>

Model: XG-SGDFF

Bars Welded in a 2" Flanged Frame for Duct Mounting - Surface Mount

XG-SGDFF - Surface Mount



1. Available Finishes	2. Available Accessories	3. Available Options	4. Construction Details
Standard Finish: 01 White			<ul style="list-style-type: none"> <li>• Neck Sizes available as listed Sleeve is 3/16" steel, Bars are 1/2" round on maximum 6" centers vertical and horizontal.</li> <li>• Two angle frames included, one is welded to sleeve, one shipped separately.</li> <li>• X = Sleeve Length ( Must be specified )</li> </ul> <p>All Dimensions ±1/16"</p>