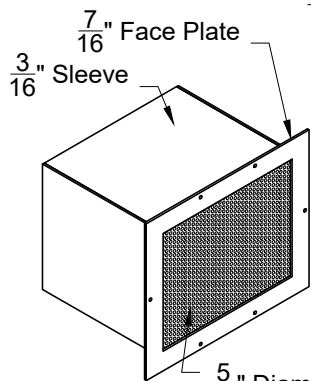
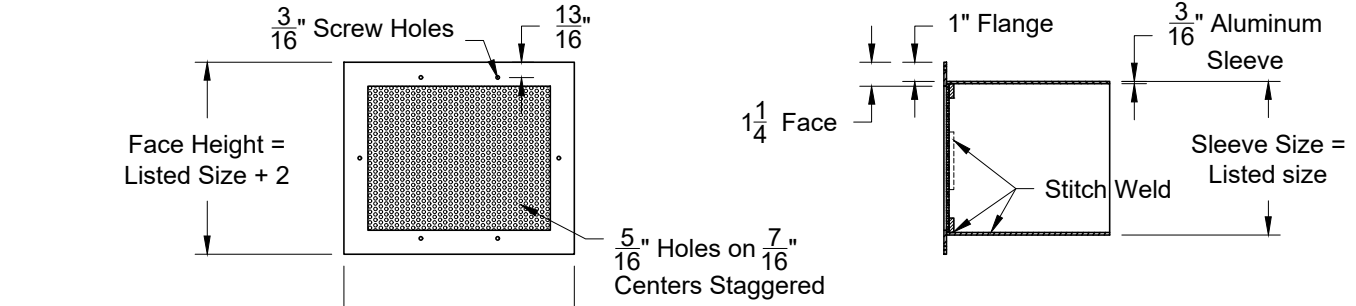


Model: XG-SGRP Perforated Face - Surface Mount

XG-SGRP - Surface Mount



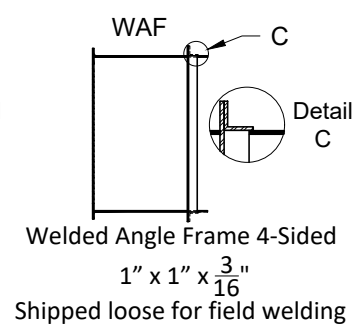
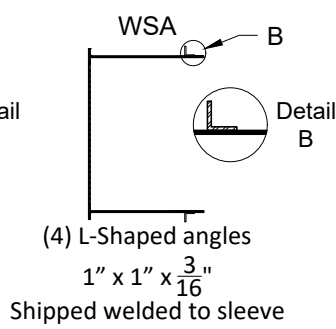
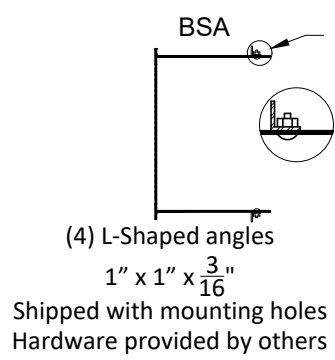
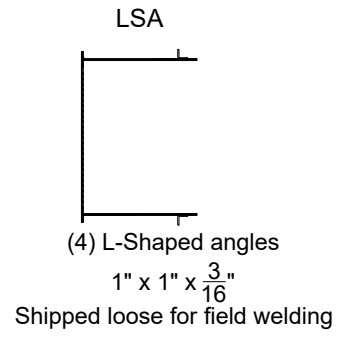
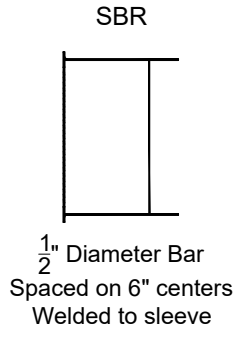
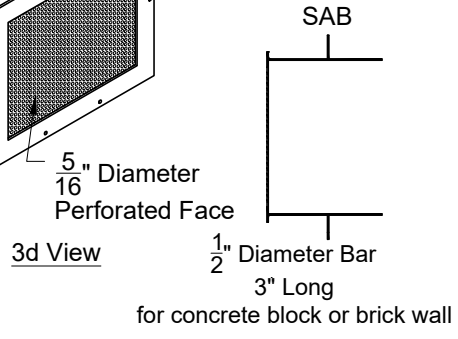
Face View

Rectangular Neck Sizes Available	
Min	Max
6	48

Side View

Sleeve Lengths Available	
Min	Max
4	16

Options



1. Available Finishes	2. Available Accessories	3. Available Options	4. Construction Details
Finish Standard Finish: 01 White Optional Finish 02 Satin Silver 03 Black 28 Custom Color	XG-OBD - Steel Opposed Blade Damper XG-OBDA - Aluminum OBD Note: Dampers installed on security grilles will be rear operated	SH - Screw Holes SBR - Security Bars SAB - Steel Anchor Bar WAF - Welded Angle Frame WSA - Welded Steel Angle BSA - Bolted Steel Angle LSA - Loose Steel Angle	<ul style="list-style-type: none"> Face Plate is 3/16" Thick Dimension Type: Nominal or Actual X = Sleeve Length (Must be specified) Face Operated Damper (Not Recommended) <p style="text-align: right;">All Dimensions ±1/16"</p>