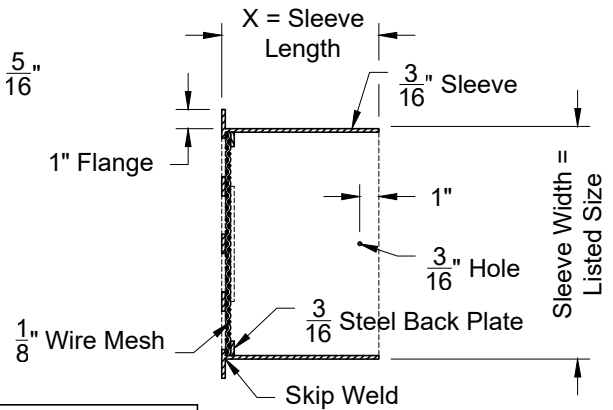
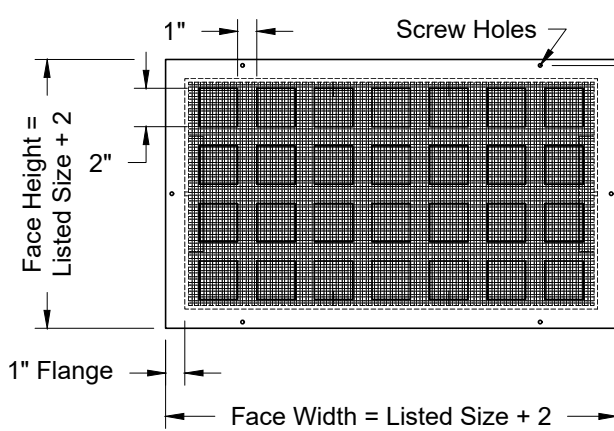


Model: XG-SGSP

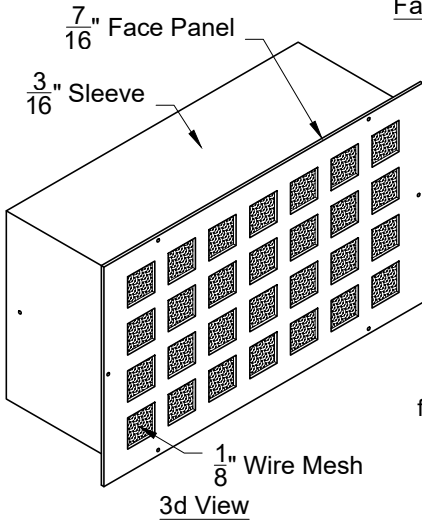
Square Holes 2 x 2 - Mesh Screen Back - Surface Mount

XG-SGSP - Surface Mount



Rectangular Neck Sizes Available	
Min	Max
6	48

Sleeve Lengths Available	
Min	Max
4	16



Options

SAB

1/2" Diameter Bar
3" Long
for concrete block or brick wall

SBR

1/2" Diameter Bar
Spaced on 6" centers
Welded to sleeve

LSA

(4) L-Shaped angles
1" x 1" x 3/16"
Shipped loose for field welding

BSA

(4) L-Shaped angles
1" x 1" x 3/16"
Shipped with mounting holes
Hardware provided by others

WSA

(4) L-Shaped angles
1" x 1" x 3/16"
Shipped welded to sleeve

WAF

Welded Angle Frame 4-Sided
1" x 1" x 3/16"
Shipped loose for field welding

1. Available Finishes	2. Available Accessories	3. Available Options	4. Construction Details
Finish Standard Finish: 01 White Optional Finish 02 Satin Silver 03 Black 28 Custom Color	XG-OBDA - Steel Opposed Blade Damper XG-OBDA - Aluminum OBD Note: Dampers installed on security grilles will be rear operated	SH - Screw Holes SBR - Security Bars SAB - Steel Anchor Bar WAF - Welded Angle Frame WSA - Welded Steel Angle BSA - Bolted Steel Angle LSA - Loose Steel Angle	<ul style="list-style-type: none"> Face Plate is 3/16" Thick Dimension Type: Nominal or Actual X = Sleeve Length (Must be specified) Face Operated Damper (Not Recommended)
All Dimensions ±1/16"			