

This manual is the property of the owner, and is required for future maintenance. Please leave it with the owner when the job is complete.

RECEIVING AND HANDLING

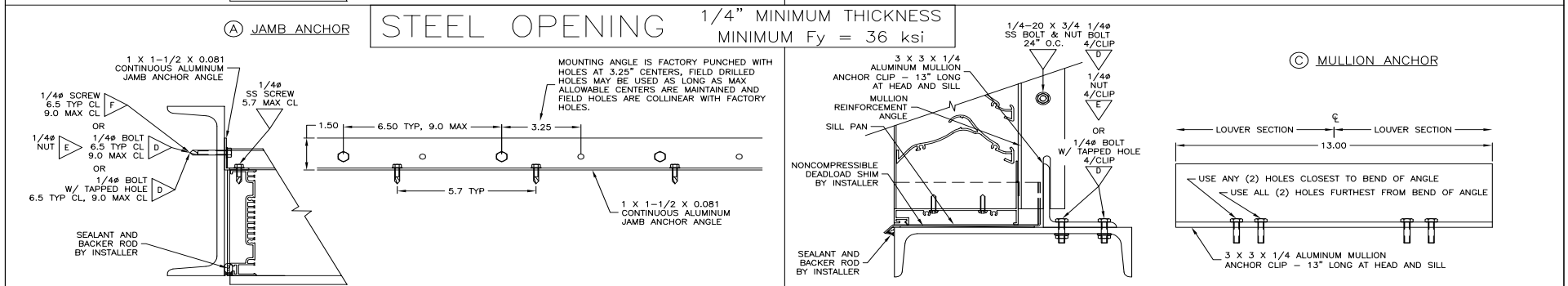
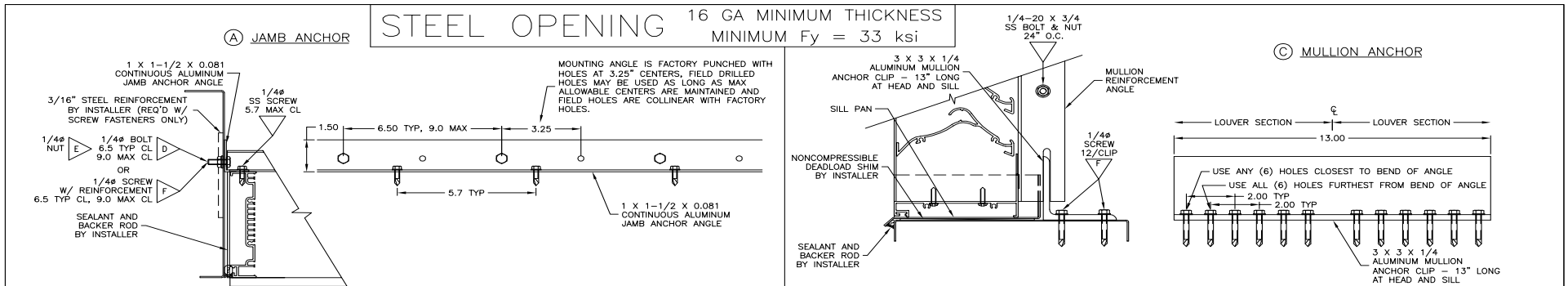
Upon receiving the louver(s), check for both obvious and hidden damage. If damage is found, record all necessary information on the bill of lading and file a claim with the final carrier. Check to be sure that all parts of the shipment, including accessories, are accounted for.

SAFETY WARNING:

Improper installation, adjustment, alteration, service or maintenance can cause property damage, injury or death. Read the installation, operating, and maintenance instructions thoroughly before installing or servicing this equipment.

STORAGE

The louvers and components are shipped in semi-enclosed wooden crates, and should be left in the crate until ready for installation. Inside storage is preferable. If outside storage is required, the crates should be blocked up or otherwise elevated from the ground or pavement, and covered securely with waterproof coverings of plastic film. Wraps "Coverall" or "Visqueen" film sheeting is recommended as adequate protection, however, any plastic film waterproof sheeting of equal quality is acceptable. Louvers and components are not wrapped or protected from moisture or dirt within the wooden crates. If prolonged storage is anticipated, either inside or out in the weather, adequate steps should be taken to protect the units and their finishes. It is also possible to order individual section plastic wrap when long term storage is anticipated. Handling to and from storage should be accomplished with the wooden crates intact. Physical damages, marred finishes, loss of loose parts and fasteners, and separation of associated components may occur if crates are dismantled and louver components removed to facilitate storage.



GENERAL NOTES:

- IT SHALL BE THE RESPONSIBILITY OF THE PERMIT HOLDER TO VERIFY THE STRUCTURAL INTEGRITY OF THE EXISTING STRUCTURE TO SUPPORT THE LOADS SUPERIMPOSED BY THE LOUVERS.
- INSTALLER TO PROVIDE SEPARATION OF DISSIMILAR MATERIALS AS REQUIRED.
- WOOD SUBSTRATE TO BE MINIMUM G = 0.42 DENSITY.
- CONCRETE SUBSTRATE TO BE MINIMUM 3,200 PSI.
- STEEL STUD OPENINGS (16 GA MINIMUM THICKNESS) TO BE MINIMUM $F_y = 33$ ksi
- STRUCTURAL STEEL OPENINGS (1/4" MINIMUM THICKNESS) TO BE MINIMUM $F_y = 36$ ksi.

FIELD FASTENER SCHEDULE (BY INSTALLER)

TYPE	DESCRIPTION	MIN. EMBED.	MIN. EDGE DIST.	MIN. SPACING
D	1/4" BOLT	FULL	1/2"	1"
E	1/4" NUT	FULL	1/2"	1"
F	1/4" SCREW	FULL	1/2"	1"

INSTALLER TO PROVIDE SEPARATION OF DISSIMILAR MATERIALS AS REQUIRED

INSTRUCTIONAL			
PART NO.	MAT'L	GAUGE	DESCRIPTION
 P.O. BOX 410 SCHOFIELD, WISCONSIN 54476-0410			DRAWN BY: STEELE DATE: 08/22/2011 SUPERSEDES:
			ENG. REF: JAN36764 SCH501X IOM PART # 475585
TITLE: SCH501X INSTALLATION			SCALE: CAD DRAWING NO. 633953

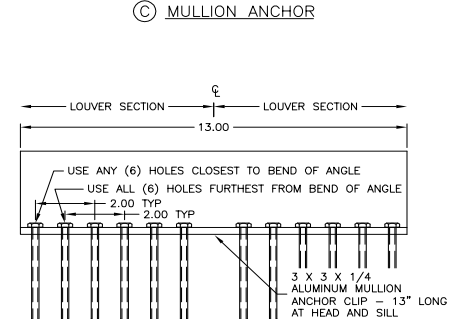
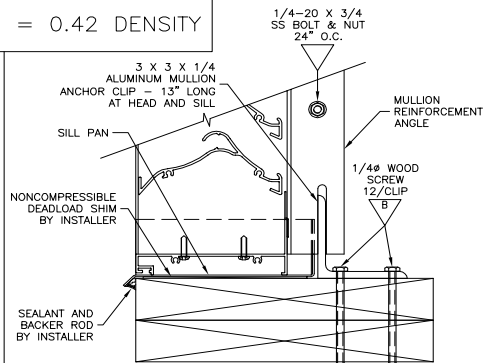
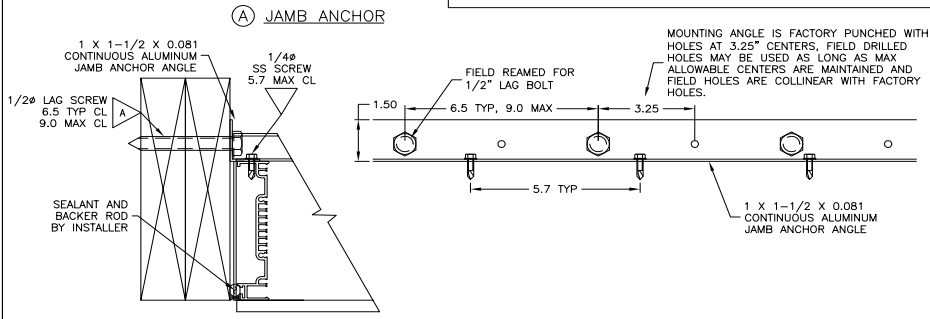
MAINTENANCE

Stationary or fixed blade louvers require no maintenance to remain functional. The louver finish may be subject to deterioration dependent solely upon the environment in which sun controls are installed. Appearance and longevity of the finish may be greatly extended by an occasional cleaning, the frequency of which, is again solely dependent upon the environment. Proper cleaning may be accomplished with the use of a light scrubbing action, used in conjunction with a good grade of common household mild detergent. Harsh acidic or caustic cleaners are not recommended. Under no condition should the louver or component finish be scrubbed with an abrasive cleaner or apparatus.

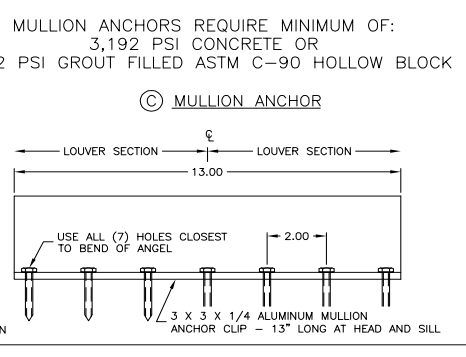
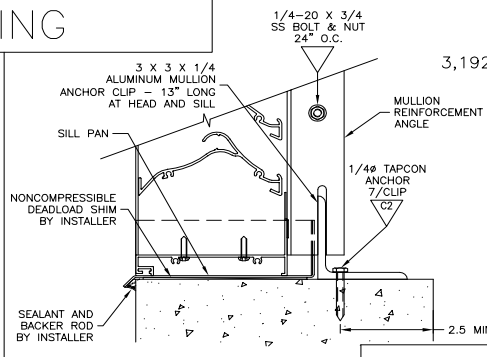
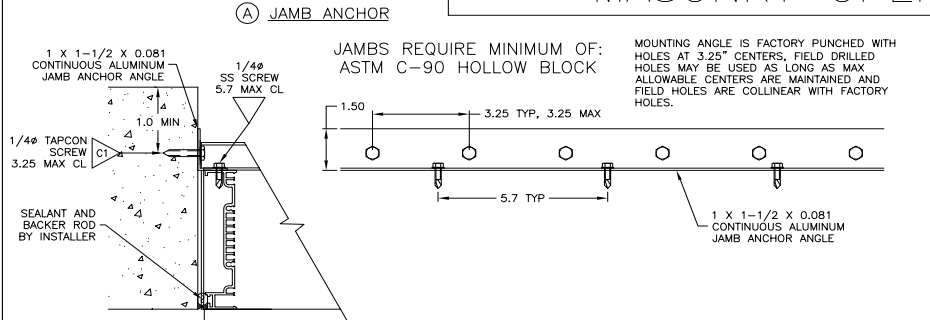
WARRANTY

Airolite warrants this equipment to be free from defects in material and workmanship for a period of one year from the shipment date. Any units or parts which prove to be defective during the warranty period will be repaired or replaced at our option. Airolite shall not be liable for damages resulting from misapplication or misuse of its products. Airolite will not be responsible for any installation or removal costs. Airolite will not be responsible for any service work or backcharges without prior written authorization.

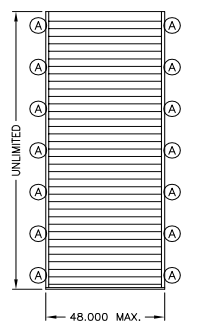
WOOD OPENING MINIMUM G = 0.42 DENSITY



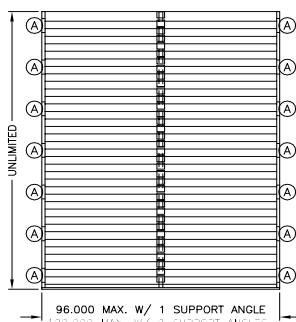
MASONRY OPENING



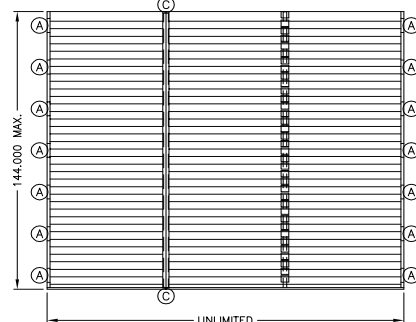
W/O SUPPORT ANGLE



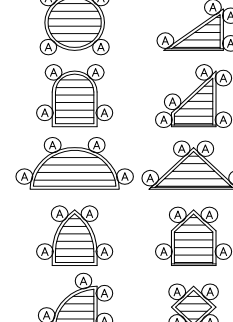
W/ SUPPORT ANGLE



MULTIPLE SECTION W/ MULLION



AVAILABLE SHAPES



FIELD FASTENER SCHEDULE (BY INSTALLER)

TYPE	DESCRIPTION	MIN. EMBED.	MIN. EDGE DIST.	MIN. SPACING
A	1/2" LAG SCREW	3"	2 1/2"	3"
B	1/4" WOOD SCREW	3"	1 1/2"	1 1/2"
C1	1/4" TAPCON ANCHOR	1 1/4"	1"	3.25" (MAX)
C2	1/4" TAPCON ANCHOR	1 3/4"	2.5"	2" (MAX)

INSTALLER TO PROVIDE SEPARATION OF DISSIMILAR MATERIALS AS REQUIRED

INSTRUCTIONAL				
PART NO.	MAT'L	GAUGE	DESCRIPTION	
AIROLITE The look that works.™		-0410	DATE	ENG. REF.
			08/22/2011	IAN36764
TITLE		SUPERSEDES		SCHEMATIC
SCH501X INSTALLATION				IOM PART #
				475585
CAD DRAWING NO.				B
633912				