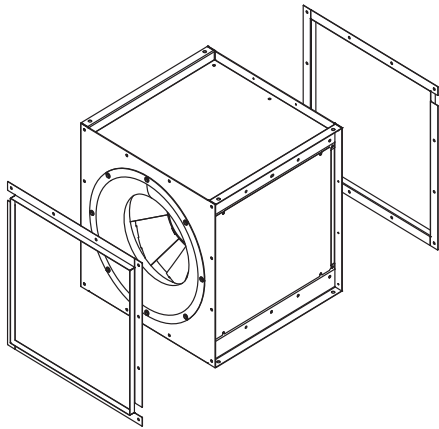


# Quick Start Guide

## SQ MIXED FLOW SQUARE DUCT ADAPTER



- Square duct adapters are shipped separate from the fan and are mounted in the field
- This Quick Start Guide does not replace the Installation Operation Manual (IOM), refer to the IOM for more information



### Parts List

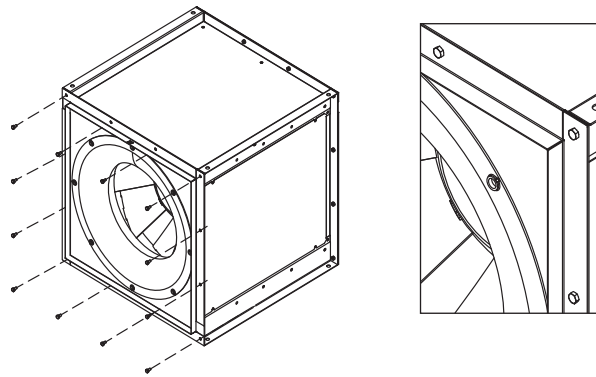
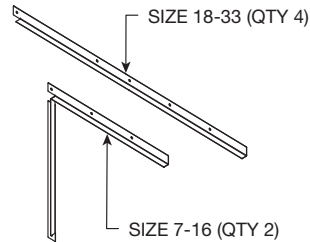
- (1) Fan
- Square duct mounting collar flanges
- (4) Sizes 7-16
- (8) Sizes 18-33
- (2) Hardware kit
- (1) Isolator kit (optional)

### Tools List

- Impact Driver
- 1/2 inch socket
- Torque wrench

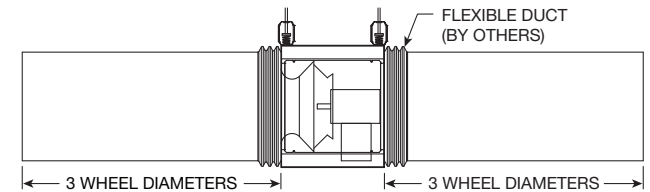
### Step 1 - Mount Square Duct Adapter to Fan

- Square duct adapter will come in 2 piece or 4 piece designs per inlet/outlet depending on unit size (see below)
  - SQ-7 to SQ-16 will consist of 2 pieces per inlet/outlet
  - SQ-18 to SQ-33 will consist of 4 pieces per inlet/outlet
- Mount square duct adapter to inlet and/or outlet using appropriate number of flange pieces and 5/16 inch semi-gimlet fasteners provided in hardware kit (no nuts required)



- Repeat previous step for outlet of fan
- Tighten to 132 in·lbs (11 ft·lbs) as specified in the IOM with 1/2 inch socket DO NOT OVER-TIGHTEN

### Step 2 - Install Fan Assembly in Duct Work



- Install fan assembly in proper orientation per application (use appropriate isolators)
- Mount fan and filter section to ductwork using fasteners supplied by others
- Fan can be mounted in horizontal or vertical applications
- Flexible duct connectors are recommended for mounting to the inlet and outlet of the fan
- Install fan with approximately three wheel diameters of straight duct before and after the fan

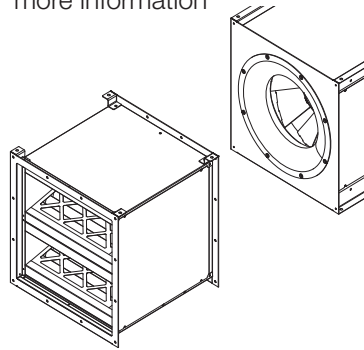


# Quick Start Guide

## SQ MIXED FLOW FILTRATION



- Filter sections are shipped separate from the fan and are mounted in the field
- This Quick Start Guide does not replace the Installation Operation Manual (IOM), refer to the IOM for more information



### Parts List

- (1) Fan
- (1) Filter section
- (1) Hardware kit
- (2) Isolator kit (optional)

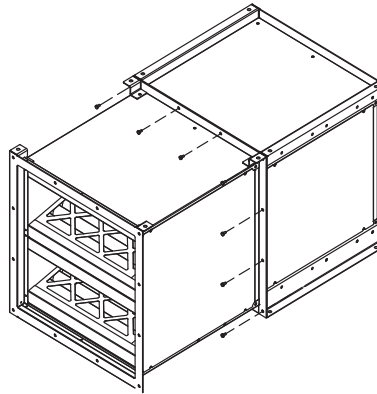
### Tools List

- Impact Driver
- 1/2 inch socket
- Torque wrench



### Step 1 - Mount Filter Section to Fan

- Filter section and fan have “Airflow” decals on the exterior of the units, ensure the arrows are aligned with the airflow
- Mount the filter section to the inlet of the fan using appropriate number of provided 5/16 inch semi-gimlet fasteners provided in hardware kit (no nuts required)



- Tighten to 132 in·lbs (11 ft·lbs) as specified in the IOM with 1/2 inch socket **DO NOT OVER-TIGHTEN**
- Fan sizing and performance is designed for the filter section to be mounted directly to the INLET of the fan

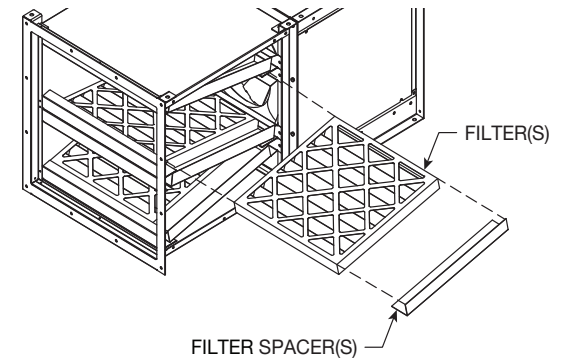
### Step 2 - Install Filter and Fan Assembly in Ductwork

- Install assembly in proper orientation for application (use appropriate isolators)
- Mount assembly to ductwork using fasteners supplied by others
- Assembly can be mounted in horizontal or vertical applications

- Flexible duct connectors are recommended for mounting to the inlet of the filter section and outlet of the fan
- Install assembly with approximately three wheel diameters of straight duct before and after the fan

### Step 3 - Filter Replacement and Cleaning

- Follow filter replacement and or cleaning intervals recommended by filter supplier



1. Remove access door using 1/2 inch socket
  - It is only necessary to remove one access door to replace filters
2. Remove filter spacers and dirty filters
3. Install new filters in unit and replace filter spacers
  - Ensure filters are installed in correct orientation for proper airflow (marked on filters)
  - Locate spacers towards the outside of the unit to reduce any unnecessary blockage in airflow
4. Reinstall access door using 1/2 inch socket, torque to 132 in·lbs (11 ft·lbs) **DO NOT OVER-TIGHTEN**