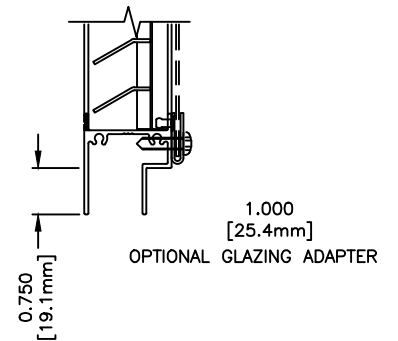
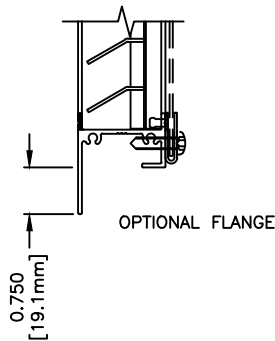


PROVIDE INTERMITTENT WEEP HOLES IN CAULKING TO PERMIT DRAINAGE

FLASHING MUST EXTEND FULL DEPTH OF LOUVER ASSEMBLY SEAL ENDS WATERTIGHT.

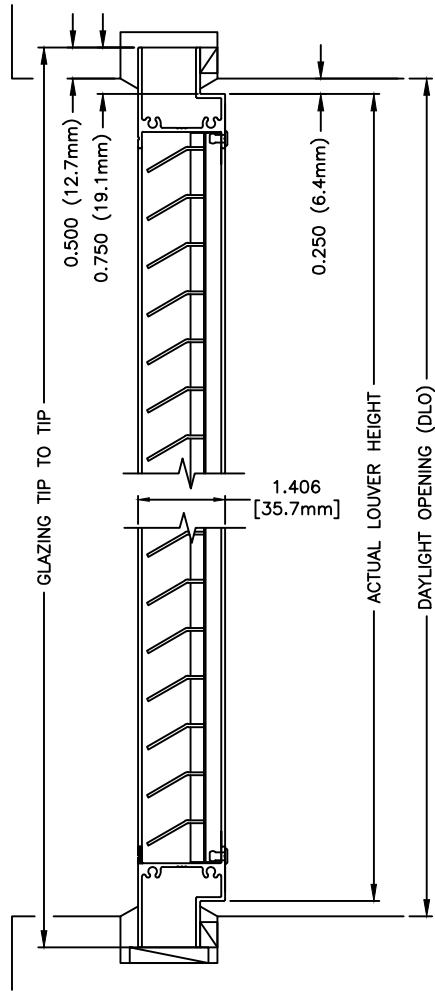


This drawing and the design represented are the confidential and proprietary property of THE AIROLITE COMPANY and may not be disclosed, loaned, copied or used for any purpose other than design review and approval without the expressed written consent of THE AIROLITE COMPANY.

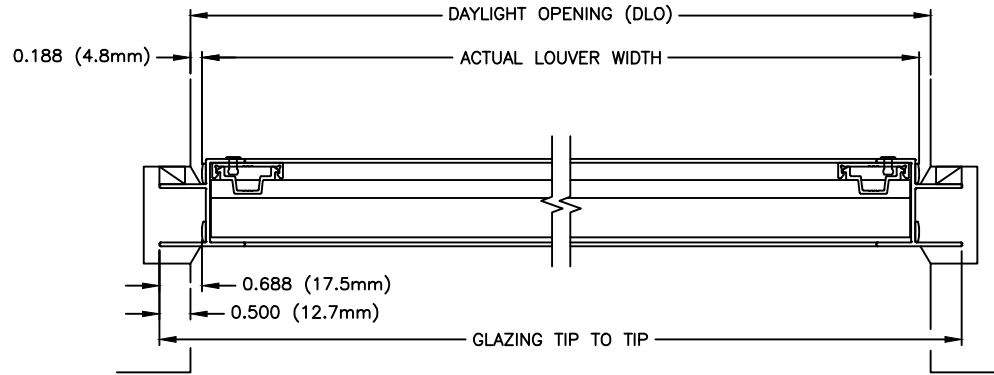
SCALE: NTS  
 DATE: 01/11/2017 REV. NO: 0  
 FILE: AC153

LOUVER TYPE :  
**AC153**

A HEAD DETAIL



B SILL DETAIL



C JAMB DETAIL



This drawing and the design represented are the confidential and proprietary property of THE AIROLITE COMPANY and may not be disclosed, loaned, copied or used for any purpose other than design review and approval without the expressed written consent of THE AIROLITE COMPANY.

SCALE: NTS

DATE: 01/11/2017

REV. NO: 0

FILE: AC153

LOUVER TYPE :

AC153