

ALUMINUM NARROW PROFILE LOUVER

Louver Type	AC153
Blade Material	Aluminum
Stationary Blade	0.050 in. (1.27 mm)
Frame Material	Aluminum
Frame	0.063 in. (1.6 mm)
Louver Depth	1.5 in. (38.1 mm)
Blade Angle	30°
Free Area – 4 ft. x 4 ft. Unit	11.20 sq. ft. (1.04 sq m)
Percent Free Area	70.0%
Free Area Velocity at Beginning Point of Water Penetration – 0.01 oz H₂O/sq. ft. Free Area	not rated
Air Volume Flow Rate at Beginning Point of Water Penetration – 4 ft. x 4 ft. Unit	not rated
Pressure Drop at Beginning Point of Water Penetration	not rated



RECOMMENDED SPECIFICATION

GENERAL

Furnish and install where indicated on plans or described in schedules Louver Type AC153 as designed and manufactured by The Aiolrite Company LLC, Schofield, Wisconsin. Louvers shall be furnished with bird screen, insect screen, supports, installation hardware and finishes as specified and as required for a complete installation.

PRODUCTS

Louvers shall be architectural blade Louver Type AC153 with visible vertical mullions. Louvers shall be 1-1/2-inches (38.1 mm) deep and assembled entirely from aluminum components. Blades shall be 0.050-inch (1.27 mm) thick aluminum and frames shall be 0.063-inch (1.6 mm) thick aluminum. Blades shall be stationary, horizontal and spaced 3/4-inches (19.1 mm) on center.

STRUCTURAL DESIGN CRITERIA

Maximum single section size for model AC153 is 72 in. W x 48 in. H. Larger openings require field assembly of multiple louver panels to make up the overall opening size. Structural reinforcing members may be required to adequately support and install multiple louver sections within a large opening. Structural reinforcing members along with any associated installation hardware is not provided by Aiolrite unless indicated otherwise by Aiolrite. Options and accessories including, but not limited to, screens, filter racks, louver doors, and blank off panels are not subject to structural analysis unless indicated otherwise by Aiolrite. Additional information on louver installation may be found in AMCA Publication #501, Louver Application Manual.

PERFORMANCE RATINGS

FREE AREA:	11.20 Square Feet (1.04 m ²)
MINIMUM FREE AREA VELOCITY at Beginning Point of Water Penetration:	not rated
MINIMUM AIR VOLUME FLOW RATE at Beginning Point of Water Penetration:	not rated
PRESSURE DROP at Beginning Point of Water Penetration:	not rated

See page 4 for complete finish options

LOUVER TYPE AC153 PRODUCT DESCRIPTION & DETAILS

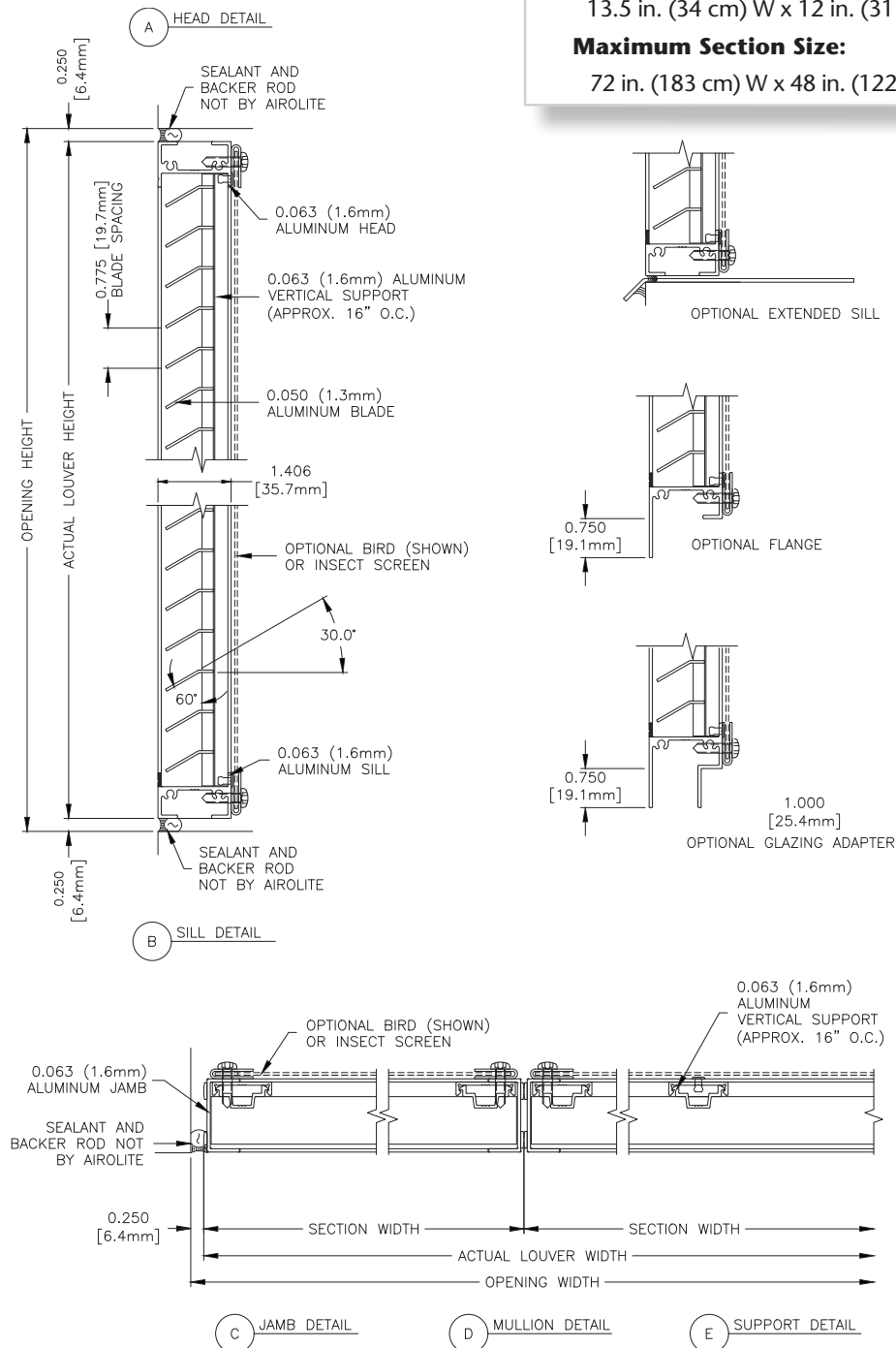
AIROLITE LOUVER TYPE AC153 is a versatile, horizontal blade, 1-1/2-inch (38.1 mm) deep architectural louver suitable for applications with narrow or short openings that require greater free area than a four or six-inch deep louver can provide and weather protection is not a concern. Please contact your local Airlite representative or the factory for assistance with the layout and design of support systems when required.

Minimum Section Size:

13.5 in. (34 cm) W x 10 in. (25 cm) H without flange
 13.5 in. (34 cm) W x 12 in. (31 cm) H with flange

Maximum Section Size:

72 in. (183 cm) W x 48 in. (122 cm) H

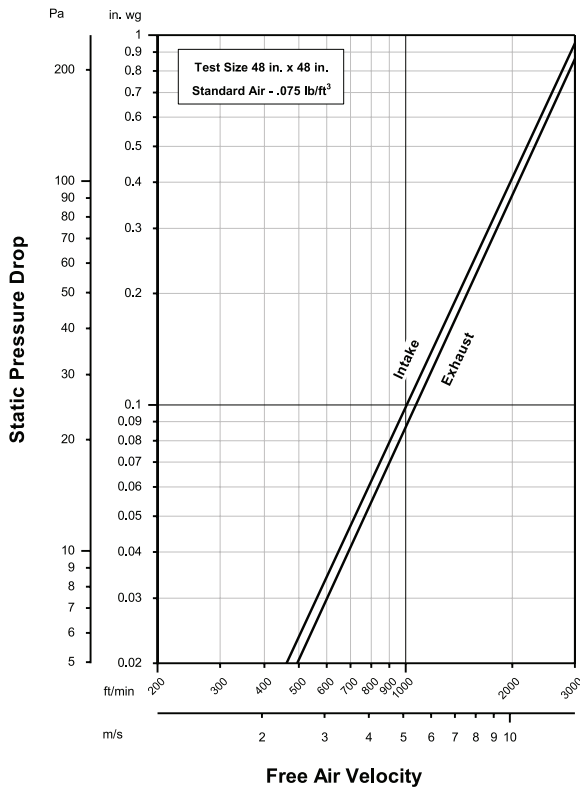


LOUVER TYPE AC153 PERFORMANCE RATINGS

FREE AREA CHART - in square feet

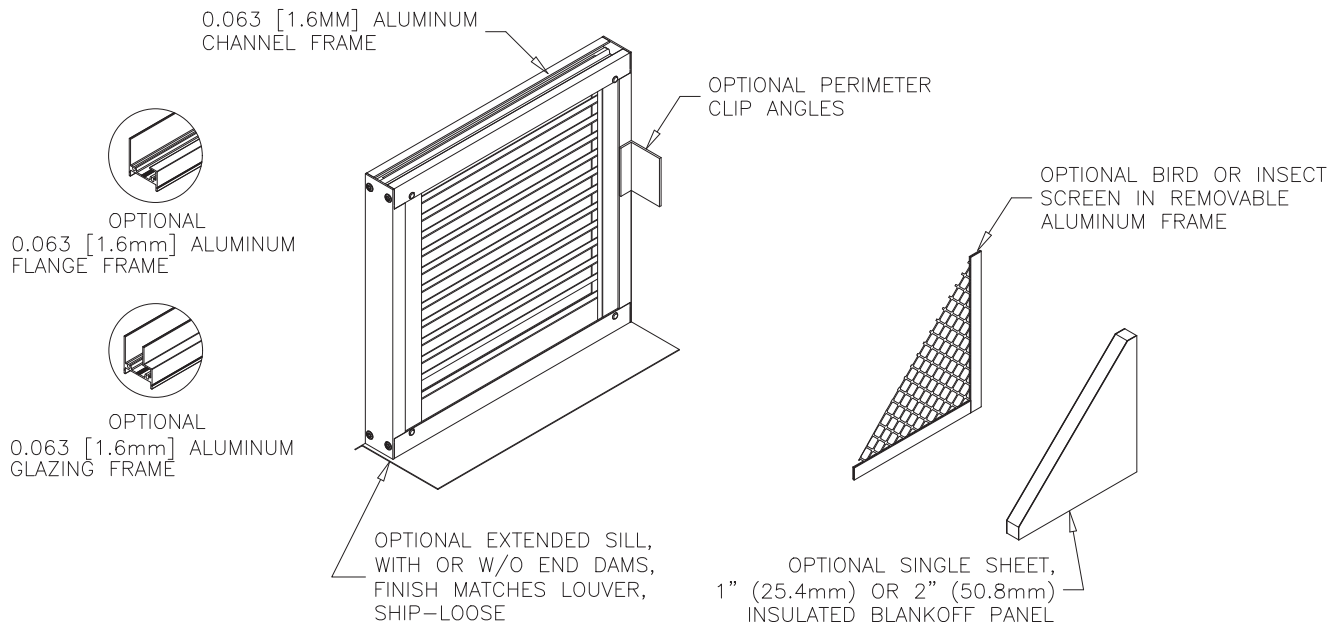
Louver Height Inches	Louver Width in Inches											
	10	12	18	24	30	36	42	48	54	60	66	72
10	0.34	0.43	0.66	0.94	1.21	1.44	1.72	2.00	2.23	2.50	2.73	3.01
12	0.43	0.54	0.83	1.17	1.52	1.81	2.15	2.50	2.79	3.13	3.42	3.77
14	0.51	0.64	0.98	1.39	1.80	2.15	2.56	2.97	3.31	3.72	4.06	4.47
16	0.59	0.75	1.15	1.63	2.11	2.51	3.00	3.48	3.88	4.36	4.76	5.24
18	0.67	0.85	1.31	1.85	2.40	2.85	3.40	3.94	4.40	4.94	5.40	5.94
20	0.75	0.96	1.47	2.08	2.69	3.20	3.81	4.42	4.93	5.54	6.05	6.67
22	0.84	1.06	1.63	2.31	2.99	3.56	4.24	4.92	5.48	6.16	6.73	7.41
24	0.92	1.17	1.79	2.53	3.28	3.90	4.64	5.39	6.01	6.75	7.37	8.12
26	1.00	1.27	1.95	2.77	3.58	4.26	5.08	5.89	6.57	7.39	8.07	8.88
28	1.08	1.38	2.11	2.99	3.87	4.60	5.48	6.36	7.09	7.97	8.71	9.59
30	1.17	1.48	2.27	3.22	4.17	4.96	5.91	6.85	7.64	8.59	9.38	10.33
32	1.25	1.59	2.43	3.45	4.46	5.31	6.32	7.34	8.18	9.19	10.04	11.05
34	1.33	1.69	2.59	3.67	4.75	5.65	6.73	7.81	8.71	9.79	10.69	11.77
36	1.41	1.80	2.76	3.90	5.05	6.01	7.16	8.31	9.27	10.42	11.37	12.52
38	1.49	1.90	2.91	4.13	5.34	6.35	7.57	8.78	9.79	11.01	12.02	13.23
40	1.58	2.01	3.08	4.37	5.65	6.72	8.01	9.29	10.37	11.65	12.72	14.01
42	1.66	2.11	3.23	4.58	5.93	7.06	8.40	9.75	10.88	12.23	13.35	14.70
44	1.74	2.21	3.39	4.81	6.23	7.41	8.82	10.24	11.42	12.83	14.01	15.43
46	1.83	2.32	3.56	5.04	6.52	7.76	9.24	10.73	11.96	13.45	14.68	16.17
48	1.91	2.42	3.71	5.26	6.81	8.10	9.65	11.20	12.49	14.04	15.33	16.88

AIRFLOW RESISTANCE (Standard Air - .075 lb./ft.³)



Louver Type AC153 resistance to airflow (pressure drop) varies depending on louver application (air intake or air exhaust). Free area velocities (shown) are higher than average velocity through the overall louver size.

LOUVER TYPE AC153 METHOD OF INSTALLATION & ACCESSORY OPTIONS



FINISHES

Finish Type	Description/Application	Color Selection	Standard Warranty (Aluminum)
AAMA 2605 100% Fluoropolymer (FEVE) 2-Coat 70% Kynar® (PVDF) 3-Coat 70% Kynar® (PVDF)	"Best." The premier finish for extruded aluminum. Tough, long-lasting coating has superior color retention and abrasive properties. Resists chalking, fading, chemical abrasion and weathering.	Standard Colors: Any of the 27 standard colors shown can be furnished in 70% Kynar® or 100% Fluoropolymer. Mica Colors: Greenheck offers 6 standard Mica colors for 70% Kynar® or 100% Fluoropolymer. Custom Colors: Custom color matching is available. Consult your Greenheck representative for cost and/or lead-time implications if a custom color is required.	10 Years (20 Years Optional)
Prime Coat	Louvers or architectural products shall be cleaned, pre-treated and receive a prime coat finish suitable for field painting. Greenheck does not recommend prime coat or field painting of materials.		n/a
Mill	Materials may be supplied in natural aluminum or galvanized steel finish when normal weathering is acceptable and there is no concern for color or color change.		n/a

Finishes meet or exceed AAMA 2605 requirements. Please consult www.greenheck.com for complete information on standard and extended paint warranties. Paint finish warranties are not applicable to steel products.



P.O. Box 410, 525 Western Road, Schofield, WI 54476-0410 USA
 715.841.8757 • fax 715.841.8773 • www.airolite.com

Submission AC153 December 2022
 Copyright ©2022 The Airolite Company, LLC

The Airolite Company, LLC reserves the right to make product changes.