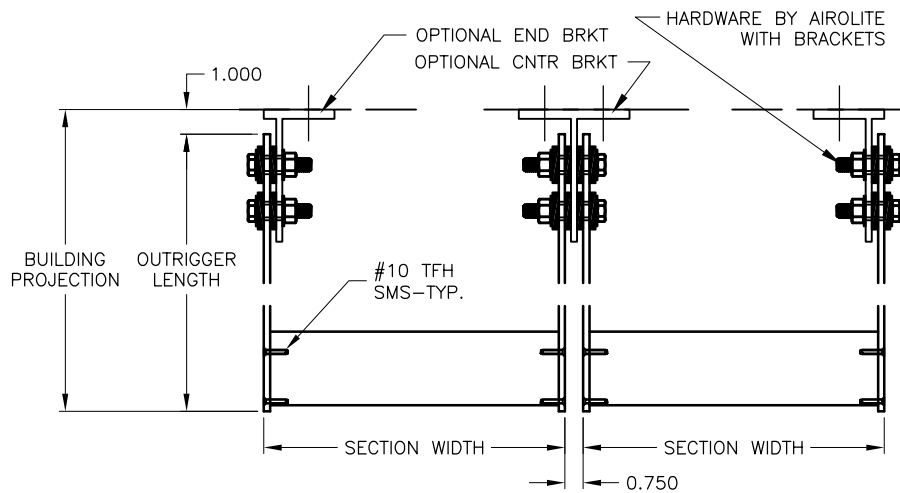
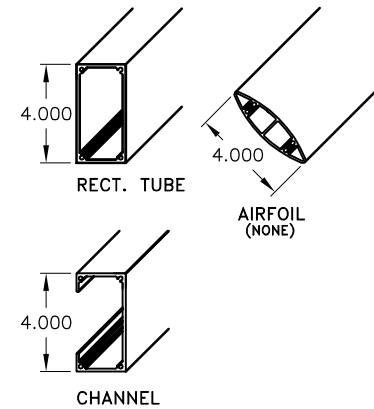


DEPTH = 6.00"	IF FASCIA TYPE = ROUND	SECTION SUPPORT STRAP QTY.
DEPTH = 4.00"	IF FASCIA TYPE = RECT. TUBE	> 48" < 96" 1 - CENTERED
DEPTH = 4.00"	IF FASCIA TYPE = CHANNEL	> 96" 2 - EQUAL SPACED
DEPTH = 6.00"	IF FASCIA TYPE = NONE	



OPTIONAL FASCIA
OUTRIGGER STYLE WILL VARY



OPTIONAL MOUNTING BRACKETS

