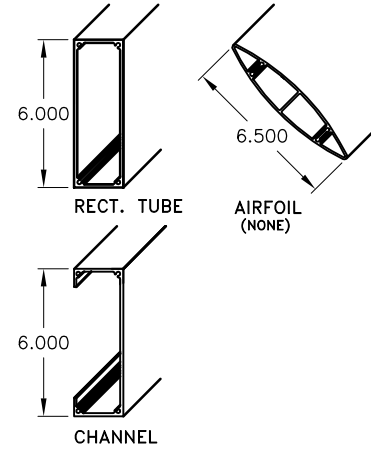
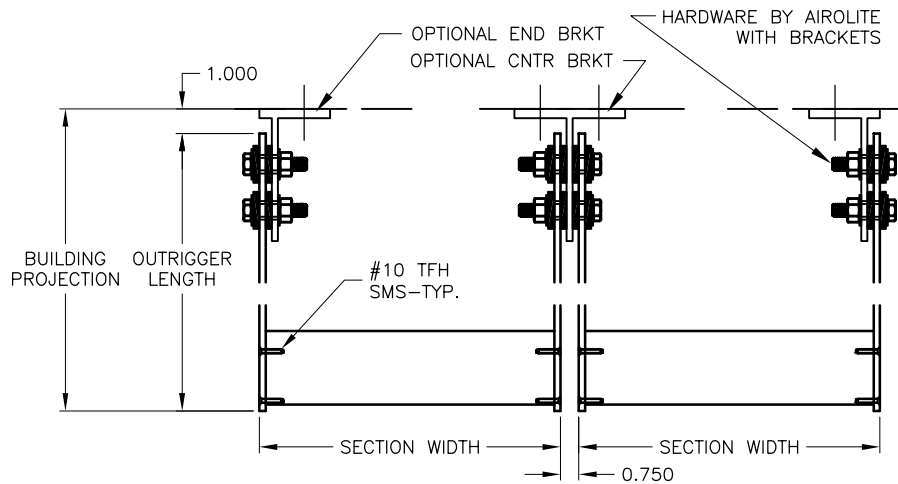
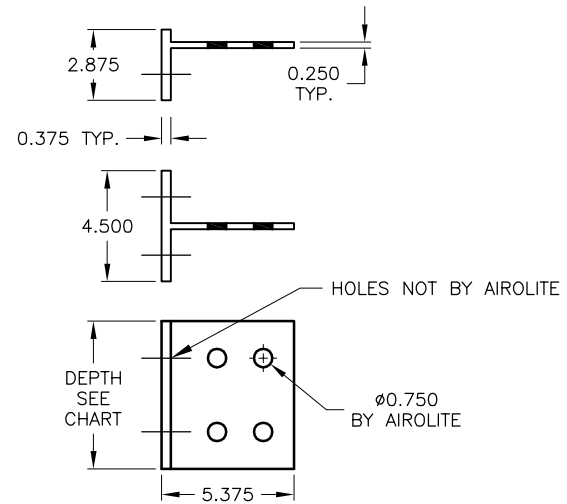


OPTIONAL FASCIA
OUTRIGGER STYLE WILL VARY



DEPTH = 8.00"	IF FASCIA TYPE =	ROUND	SECTION SUPPORT STRAP QTY.	
DEPTH = 6.00"	IF FASCIA TYPE =	RECT. TUBE	> 96" < 144"	1 - CENTERED
DEPTH = 6.00"	IF FASCIA TYPE =	CHANNEL		
DEPTH = 6.00"	IF FASCIA TYPE =	NONE		

OPTIONAL MOUNTING BRACKETS



MODEL: ASC6

SHEET: 1 OF 1