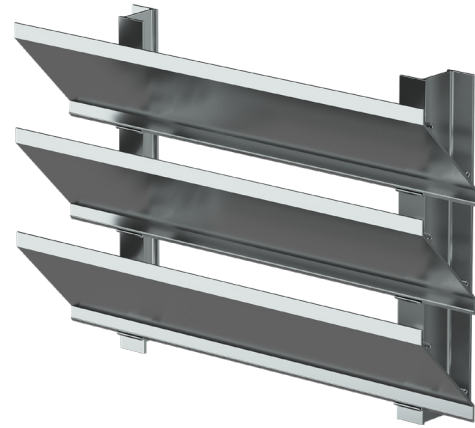


ENCB609

Equipment Screen | Extruded Aluminum

Standard Construction

Material	Extruded 6063-T5 aluminum
Stationary Blade	0.081 in. (2.06 mm)
Vertical Support	Extruded aluminum Z support
Equipment Screen Depth	4 in. (101.6 mm)
Free area - 4 ft. x 4 ft.	8.23 sq. ft. (0.76 sq m)
Percent Free Area	51.4%



Airolite equipment screen ENCB609 is a versatile, horizontal and inverted blade louver screen that functions well as a sight and security barrier and yields high free area.

Standard Details

[ENCB609 Standard Details](#)

Document Links

[Grilles & Screens](#)

[Finishes & Colors](#)

[Airolite Warranty Statement](#)

