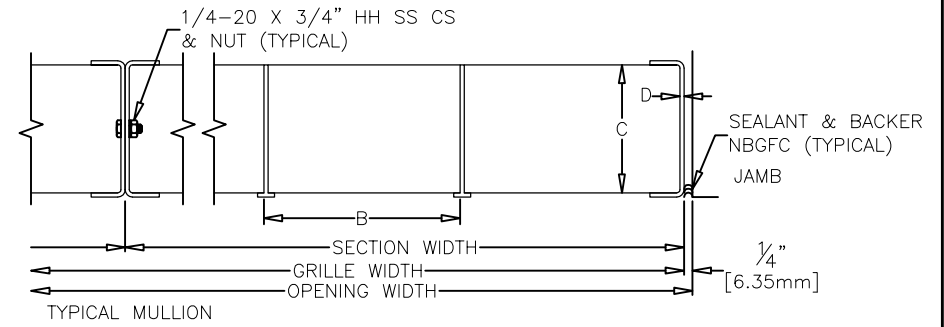
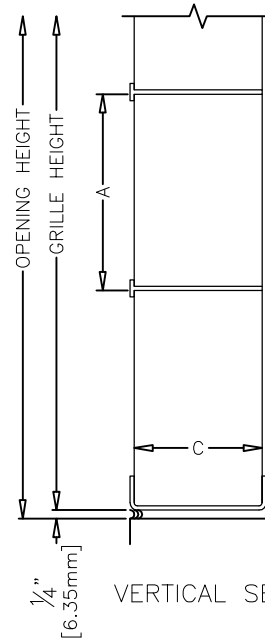


EXTERIOR ELEVATION



HORIZONTAL SECTION



VERTICAL SECTION

	MODEL: PRISM
	SHEET: 1 OF 1