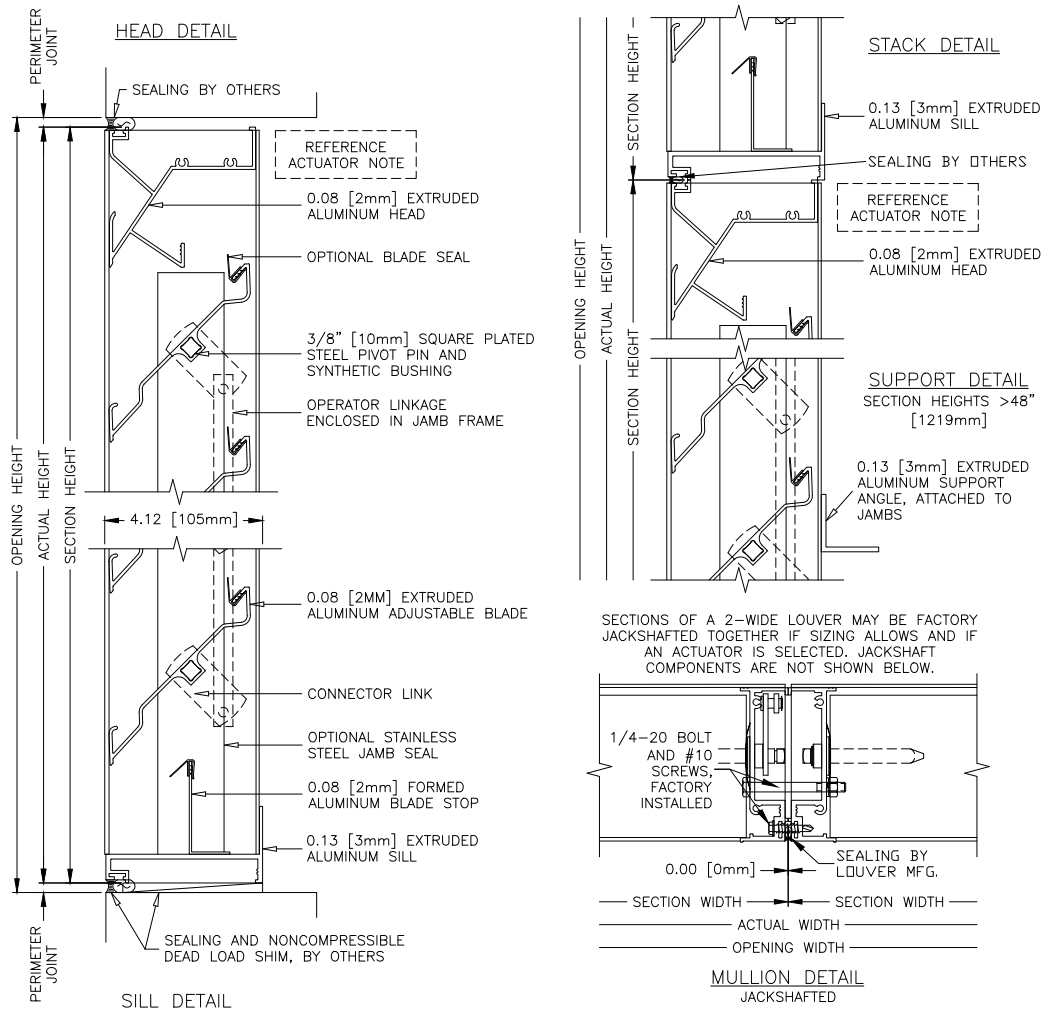
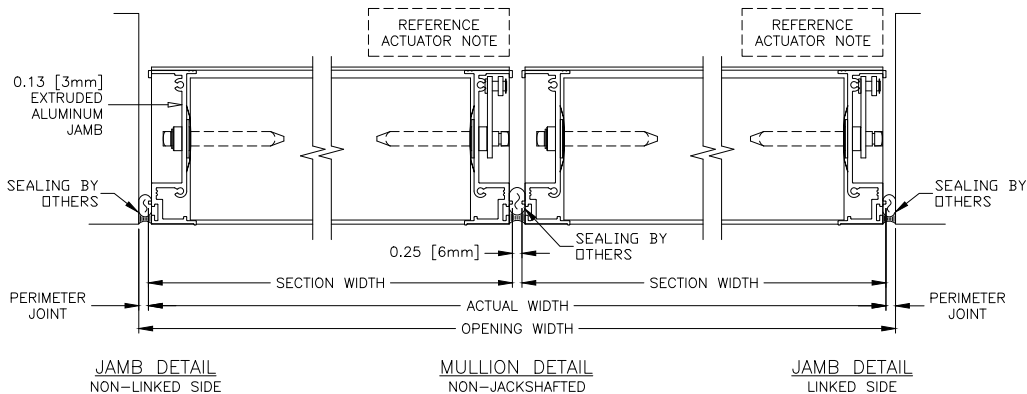


T6784

Adjustable Louver | Drainable Blade | Extruded Aluminum



NOTE: ACTUATOR REQUIRES A MINIMUM OF 7" [178mm] OF CLEARANCE BEHIND THE LOUVER. ACTUAL VALUE VARIES BY ACTUATOR TYPE. STANDARD ACTUATOR LOCATION IS TOP LEFT OF EACH SECTION AS VIEWED FROM INTERIOR.



AIROLITE
The look that works.™