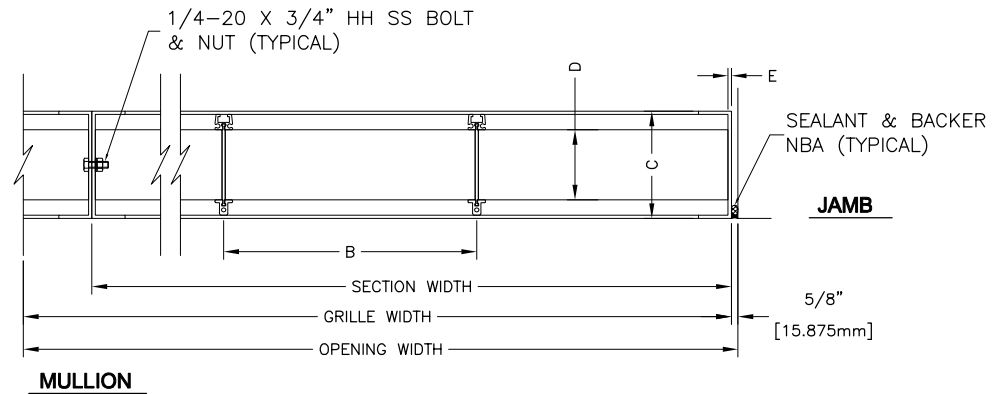
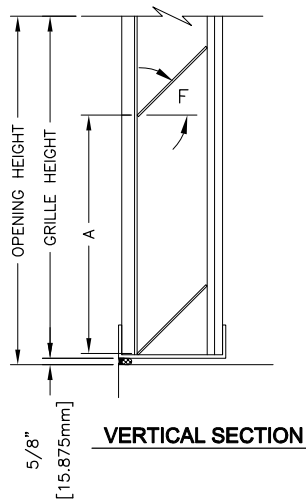


⊕ **EXTERIOR ELEVATION**



	MODEL: TETRA
	SHEET: 1 OF 1