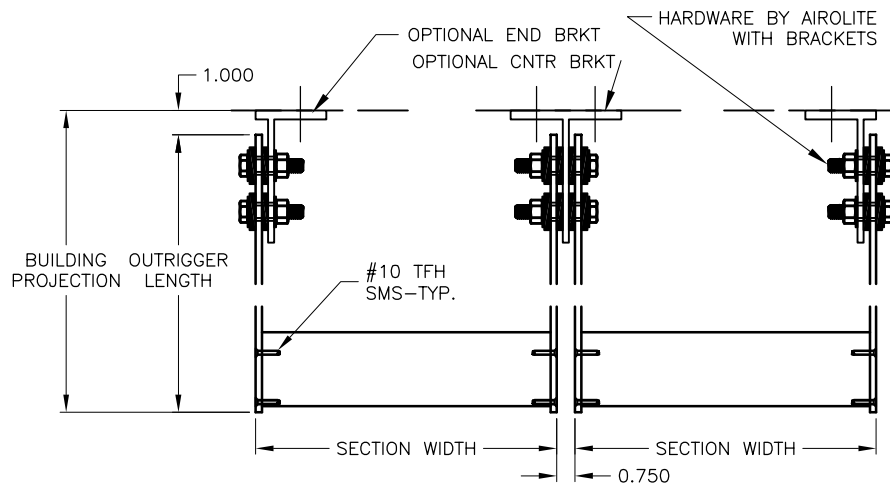
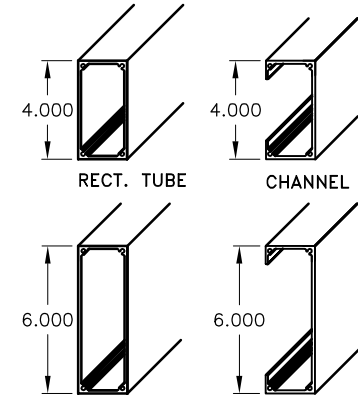
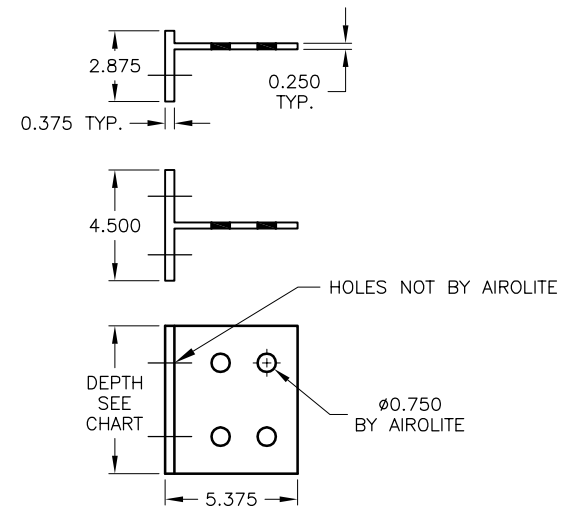


DEPTH = 6.00"	IF FASCIA TYPE = ROUND	SECTION SUPPORT STRAP QTY.
DEPTH = 4.00"	IF FASCIA TYPE = 4" RECT. TUBE	
DEPTH = 6.00"	IF FASCIA TYPE = 6" RECT. TUBE	> 48" < 96" 1 - CENTERED
DEPTH = 4.00"	IF FASCIA TYPE = 4" CHANNEL	> 96" 2 - EQUAL SPACED
DEPTH = 6.00"	IF FASCIA TYPE = 6" CHANNEL	

OPTIONAL FASCIA
OUTRIGGER STYLE WILL VARY



OPTIONAL MOUNTING BRACKETS



MODEL: TSC4

SHEET: 1 OF 1