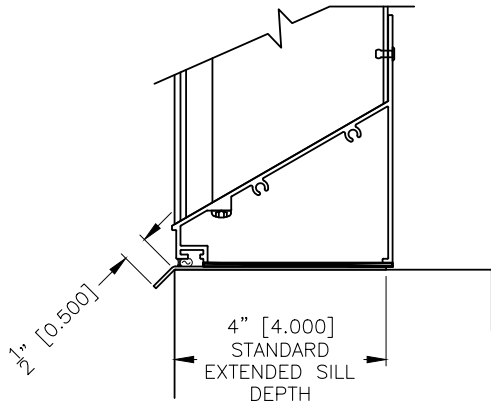
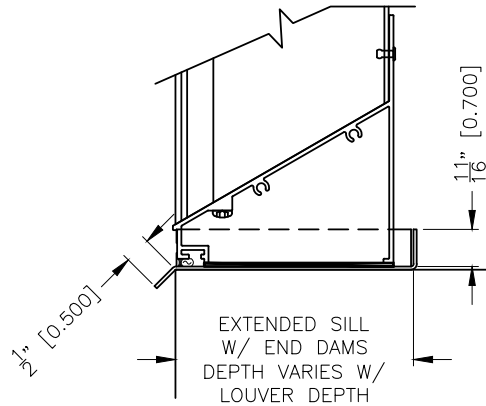


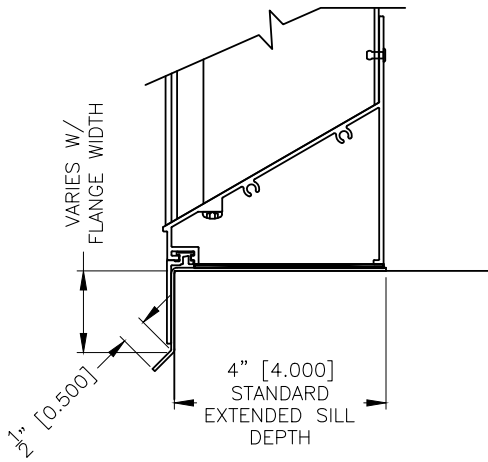
# EXTENDED SILL



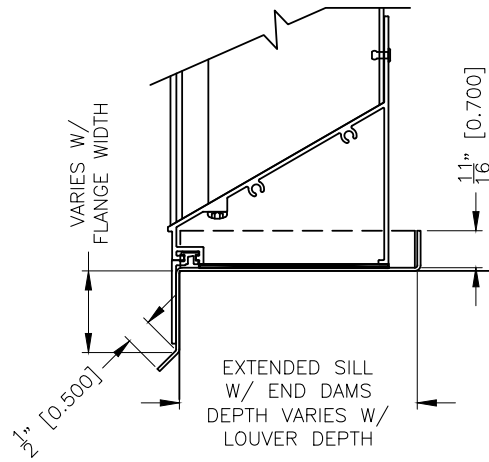
EXTENDED SILL



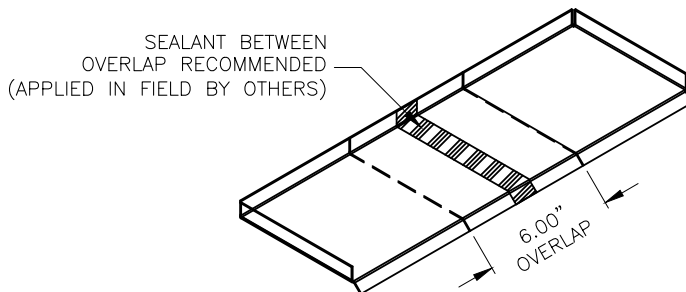
EXTENDED SILL  
W/ END DAMS  
(SILL PAN)



EXTENDED SILL  
W/ FLANGE



EXTENDED SILL  
W/ END DAMS  
W/ FLANGE  
(SILL PAN)



EXTENDED SILL W/ END DAMS SHOWN

LARGER WIDTH LOUVERS MAY REQUIRE THE EXTENDED SILL OR EXTENDED SILL W/ END DAMS TO BE BROKEN INTO MULTIPLE PIECES DUE TO RAW MATERIAL LIMITS. OVERLAPPING THE EXTENDED SILL OR EXTENDED SILL W/ END DAMS PIECES WOULD BE REQUIRED.

AS A RESULT OF OUR COMMITMENT TO CONTINUOUS IMPROVEMENT, THIS SUPPLIER RESERVES THE RIGHT TO CHANGE SPECIFICATIONS WITHOUT NOTICE

**AIROLITE**  
The look that works.™