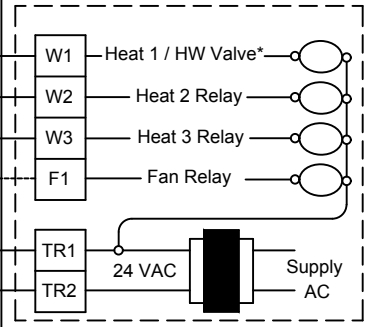


— Factory Piping
 - - - Field Piping By Others

Controller/Actuator-CSP-4702, 24 VAC, 4 VA
 Thermostat-CTE-5202
 Reheat Module-REE-5001, 24 VAC
 Relays SPDT - HCR-51CQ1AC112 or Equiv.

Note : Do not interconnect 24V transformer secondary circuits.

NOTE:
 IF HW COIL THEN VALVE AND
 HEAT 1 WIRING FIELD INSTALLED.



964N - No Xformer
 964A - 120 / 24
 964C - 277 / 24
 964F - 240 / 24
 964E - Primary Voltage to
 match electric heat / 24

FCCD964_AUTO_MW

(CDS) ATU/CONTROL DIAGRAMS\ANALOG\

Control Wiring Diagram

AUTO MORNING WARM-UP
 FAN AND UP TO 3 STEPS REHEAT

Phone: 715.359.6171
 Fax: 715.355.2399
 Parts : 800.355.5354
 gfcinfo@greenheck.com
 www.greenheck.com

N/A	H	Removed logo	7/12/21	CG
ECN. No.	Rev	Description	Date	Rev'd By:

Unless Otherwise Specified:
 1. Dimensions Are In Inches.
 2. Tolerances Are:
 Fractions Decimals Angles
 $\pm .X = .1$
 $\pm 1/32 \quad \pm .XX = .02 \quad \pm 1^\circ$
 $\pm .XXX = .010$

DWN. BY	JEFF S.	DATE	06/17/04	DWG. NO.	FCCD964_AUTO_MW	REV.	H
CHK'D BY	JEFF S.	SCALE	NTS				