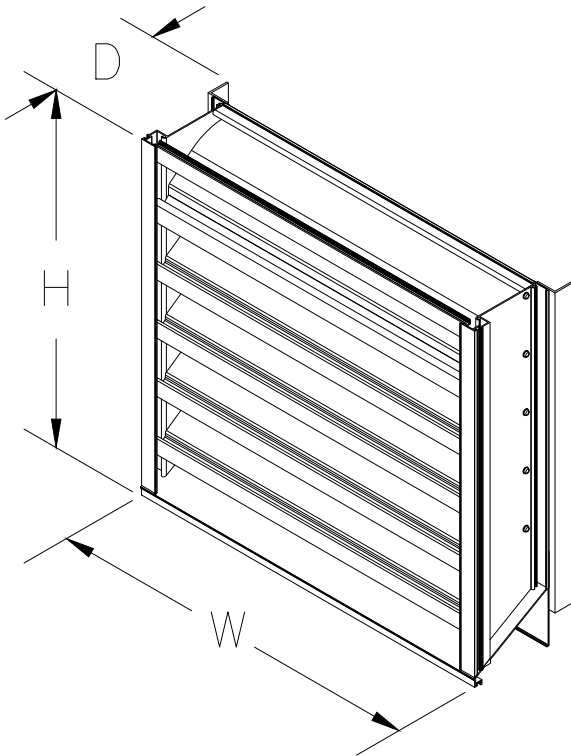


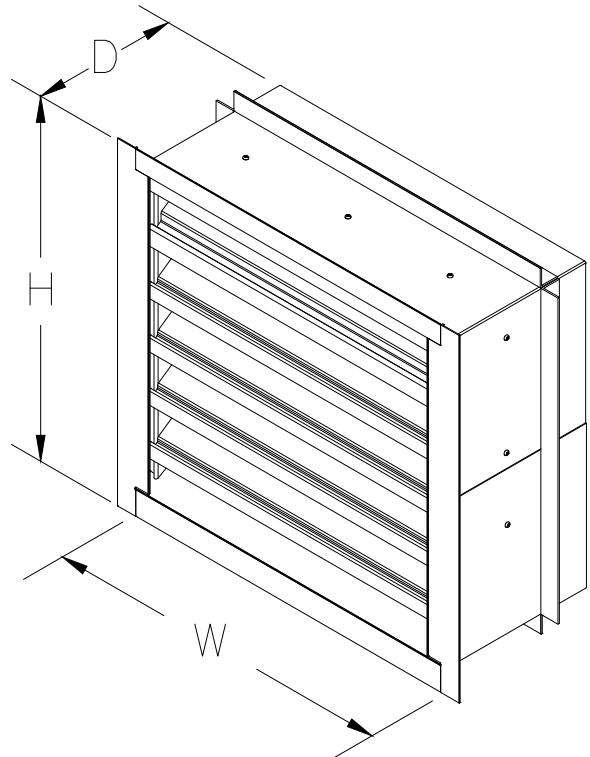
Installation, Operation, and Maintenance Instructions

This manual is the property of the owner, and is required for future maintenance.
Please leave it with the owner when the job is complete.

Channel Installation



Flange/Sleeve Installation

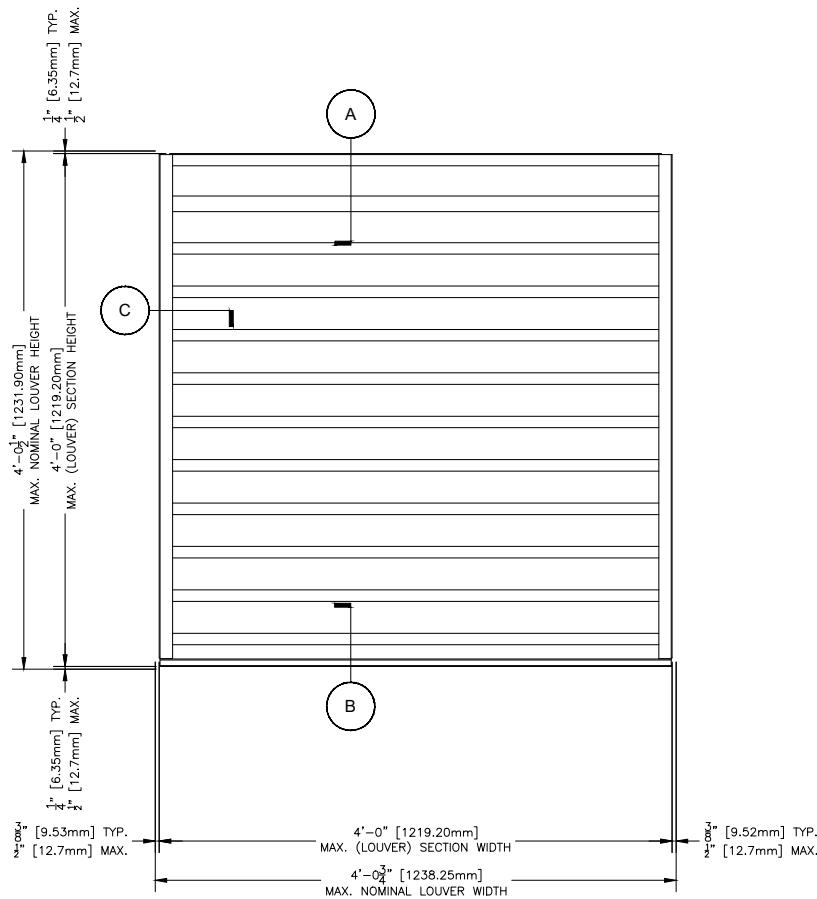


SAFETY WARNING:

Improper installation, adjustment, alteration, service or maintenance can cause property damage, injury or death. Read the installation, operating, and maintenance instructions thoroughly before installing or servicing this equipment.

Maximum Size and Installation Information

Model K6746MDE is a Miami-Dade Approved and Florida Product Approved louver and must be installed in accordance with the installation instructions shown herein. Model K6746MDE is qualified for installation within concrete/masonry, steel stud, structural steel, aluminum or wood framed building conditions. Model K6746MDE is structurally calculated to withstand positive and negative wind-loads up to +/-150 PSF. The maximum typical rough opening height is limited to 48.50 in. and the typical rough opening width is limited to 48.75 in.



Minimum Typical Rough Opening Size
 12 in. W x 12 in. H

Maximum Typical Rough Opening Size
 48.75 in. W x 48.50 in. H

Building Condition/Substrate Limitations

Channel Installation

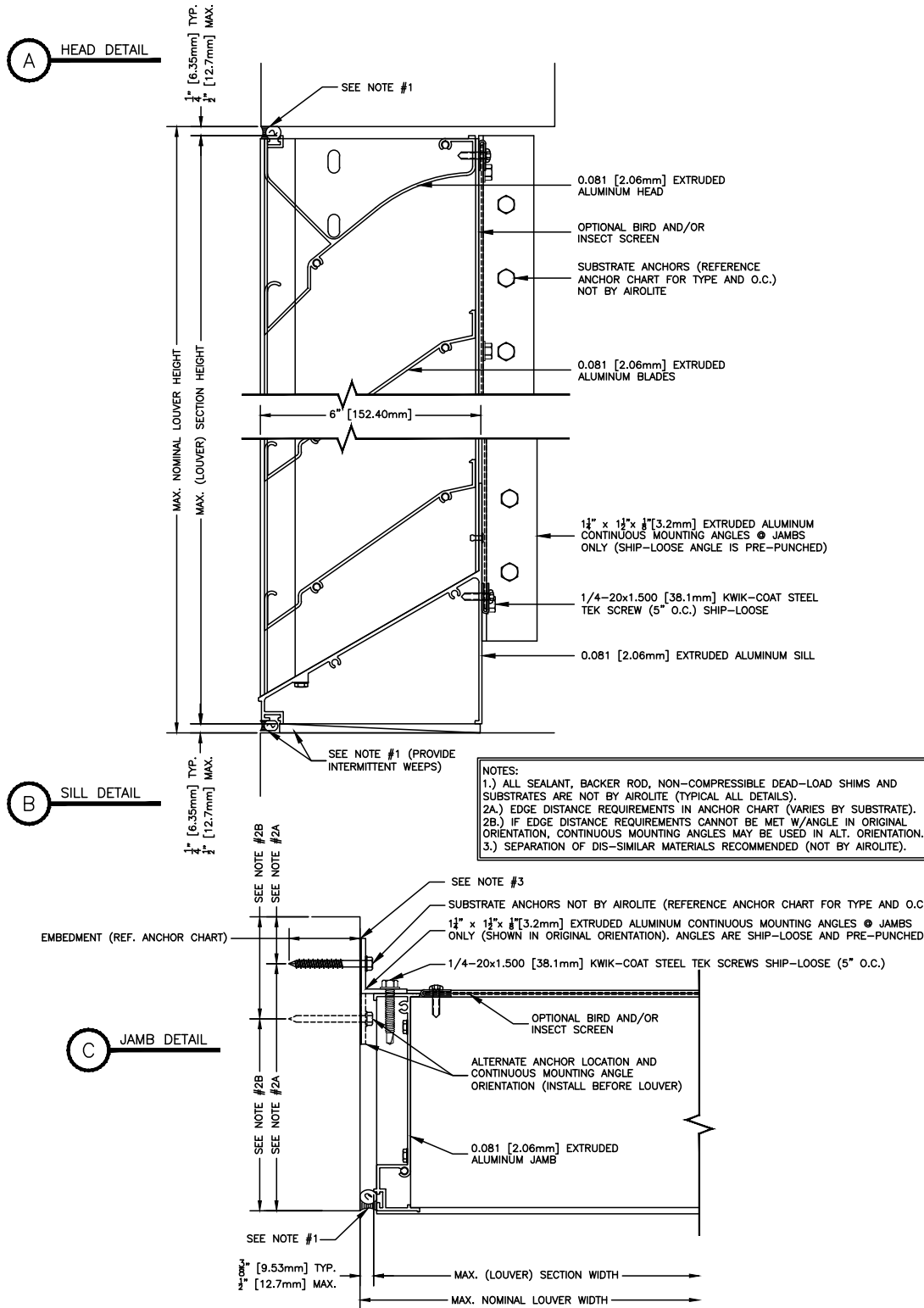
- All steel substrate should be min. 16 Ga. FY= 33 KSI
- All concrete substrate shall be min. 2000 PSI
- All concrete masonry shall be ASTM C90, Type II, grout-filled
- All wood substrate shall be G= 0.42 density or better
- All aluminum substrate shall be min 0.125 in. thick FY=16 KSI

Installation Instructions

K6746MDE

Channel Installation

Florida Product Approval No: FL19676
 Miami-Dade NOA No.: 20-0929.09, EXP. 2/4/2026
 Maximum Wind-load: +/-150 PSF

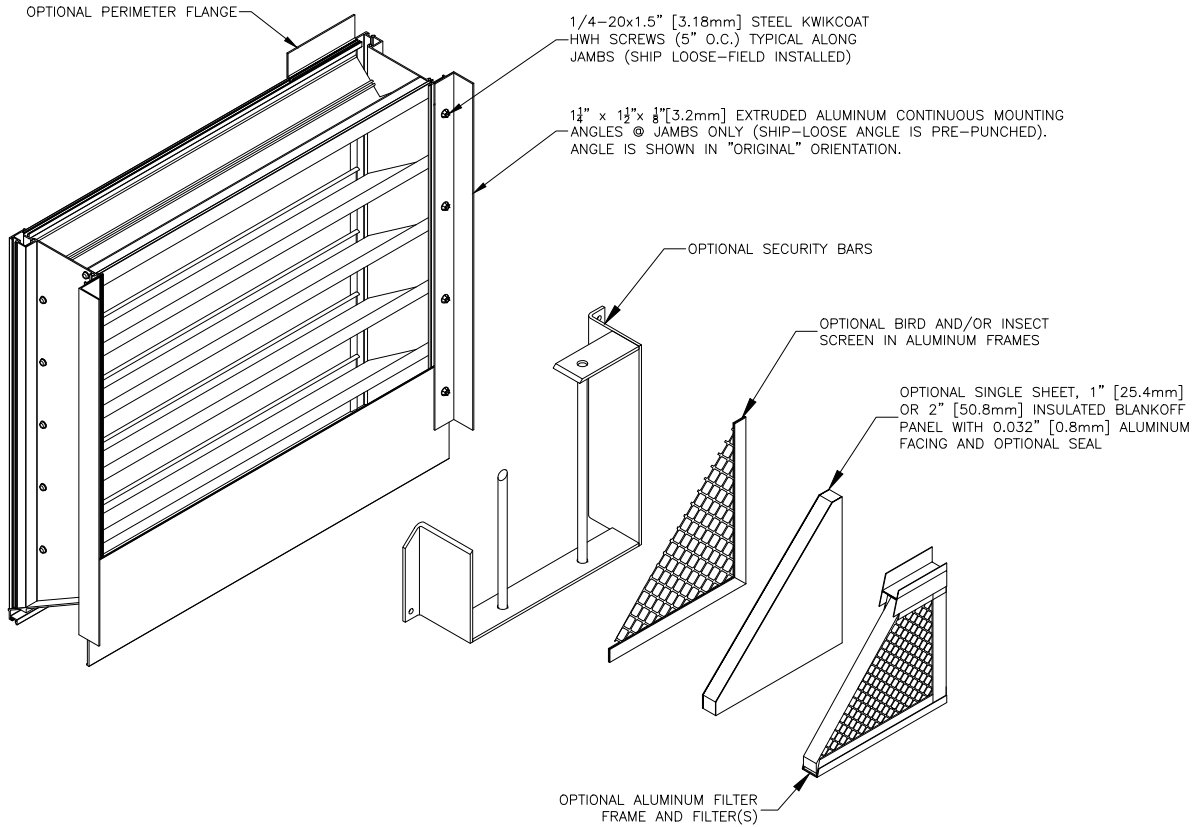


Installation Instructions

K6746MDE

Channel Installation

Florida Product Approval No: FL19676
Miami-Dade NOA No.: 20-0929.09, EXP. 2/4/2026
Maximum Wind-load: +/-150 PSF



ANCHOR CHART

K6746MDE

Channel Installation

Florida Product Approval No: FL19676
 Miami-Dade NOA No.: 20-0929.09, EXP. 2/4/2026
 Maximum Wind-load: +/-150 PSF

SUBSTRATE AND FASTENER TABLE												
ITEM 31, SUBSTRATE			ITEM 30, SUBSTRATE FASTENER									
TYPE	THICKNESS MIN	MATERIAL MIN	TYPE (ALL FASTENERS ARE HEX HEAD STYLE)	MAT'L	DIA.	EDGE MIN	EMBED. MIN	ANCHOR SPACING	HEAD DIA. MIN	ANGLE HOLE ITEM 5, MAX	SUBSTRATE HOLE, MAX	
WOOD	3	G OF 0.42	LAG SCREW, 3 INCH MIN LENGTH	*	1/4	1 1/2	23/32	4	1/2	5/16	SEE FASTENER MANUFACTURER INSTRUCTIONS	
					3/8	1 1/2	23/32	6	5/8	7/16		
STEEL	16 GA (0.056)	Fy 33 KSI Fu 45 KSI	BOLT W/ NUT	*	1/4-20	5/8	0.056	8	1/2 HEAD 9/16 NUT	5/16	SEE FASTENER MANUFACTURER INSTRUCTIONS	
	14 GA (0.070)		0.070				6	1/2				
	12 GA (0.099)		0.099				8					
ALUMINUM	1/8	6063-T5	BOLT W/ NUT	*	1/4-20	1/2	1/8	8	1/2 HEAD 9/16 NUT	5/16	1/4 SEE FASTENER MANUFACTURER INSTRUCTIONS	
			THREAD CUTTING/TAPPING SCREW					1/2				
CONCRETE	VARIES WITH SIZE OF FASTENER USED. SEE FASTENER MANUFACTURER INSTRUCTIONS	2 KSI	BUILDEX TAPCON (BLUE, WHITE, OR 410 SS)	VARIES	1/4	1 1/2	1 1/2	4	AS MANUFACTURED	1/4	SEE FASTENER MANUFACTURER INSTRUCTIONS	
						2 1/4		6				
						2 1/2		6				
		3				6						
		1 1/2				4	1 1/4					
		2				4						
		3 KSI	3	6								
			1 1/2	6	1 3/4							
			3	6								
		2.3 KSI	ELCO AGGRE-GATOR	300 SS	1/4	1 1/2	1 3/8	6	AS MANUFACTURED	1/4		
		2.9 KSI	ELCO ULTRACON SS4	410 SS	1/4	1	1 3/4	4	AS MANUFACTURED	1/4		
		3.4 KSI	ELCO CRETE-FLEX SS4, SMALL HEAD	410 SS	1/4	1	1 3/4	6	AS MANUFACTURED	1/4		
			ELCO CRETE-FLEX SS4, FLANGED HEAD					8				
		2.5 KSI	POWERS 316 STAINLESS STEEL WEDGE-BOLT	316 SS	1/4	1 1/2	4	1 7/8	6	AS MANUFACTURED		5/16
							2		6			
2 3/4	6											
3/8	1 1/2	2 3/8					4	AS MANUFACTURED	7/16			
	2						6					
	2 1/2						8					
2 KSI	POWERS WEDGE-BOLT PLUS	STEEL	1/4	1 1/2	1 1/8	1 1/2	4	AS MANUFACTURED	5/16			
					2		8					
					1 1/8		4					
4 KSI			1 5/8	3/8	1 1/2	8	AS MANUFACTURED	7/16				
			1 1/8			2						
			2 1/8			8						
2 KSI			1 1/8	3/8	1 1/2	4	AS MANUFACTURED	7/16				
			2 1/8			8						
			1 1/8			4						
4 KSI	1 3/4	3/8	1 1/2	8	AS MANUFACTURED	7/16						
	2			2			8					
	2			2			8					
GROUT FILLED CMU	NOTE 1	ELCO AGGRE-GATOR	300 SS	1/4	2	2	8	AS MANUFACTURED	1/4	SEE FASTENER MANUFACTURER INSTRUCTIONS		
	NOTE 2	ELCO ULTRACON SS4	410 SS	1/4	2	1	2					
	NOTE 3	POWERS WEDGE-BOLT PLUS	STEEL	3/8	2	2 1/2	8				7/16	

NOTE *: LAG SCREWS SHALL HAVE STRENGTHS OF MINIMUM GRADE 1 STEEL, OTHER BOLT AND SCREWS SHALL HAVE STRENGTHS OF MINIMUM GRADE 2 STEEL.
 NOTE 1: CONCRETE MASONRY (CMU) SHALL BE > THE FOLLOWING: 6" WIDE, CMU CONFORMING TO ASTM C-90 FILLED WITH 4,747 KSI GROUT.
 NOTE 2: CONCRETE MASONRY (CMU) SHALL BE > THE FOLLOWING: 6" WIDE, 2 KSI CMU CONFORMING TO ASTM C-90 WITH 1624 KSI GROUT.
 NOTE 3: CONCRETE MASONRY (CMU) SHALL BE > THE FOLLOWING: 6" WIDE, GRADE N, TYPE II, LIGHT-WEIGHT/MEDIUM-WEIGHT/NORMAL-WEIGHT CMU CONFORMING TO ASTM C-90. MORTAR MUST BE TYPE N.

Installation Instructions

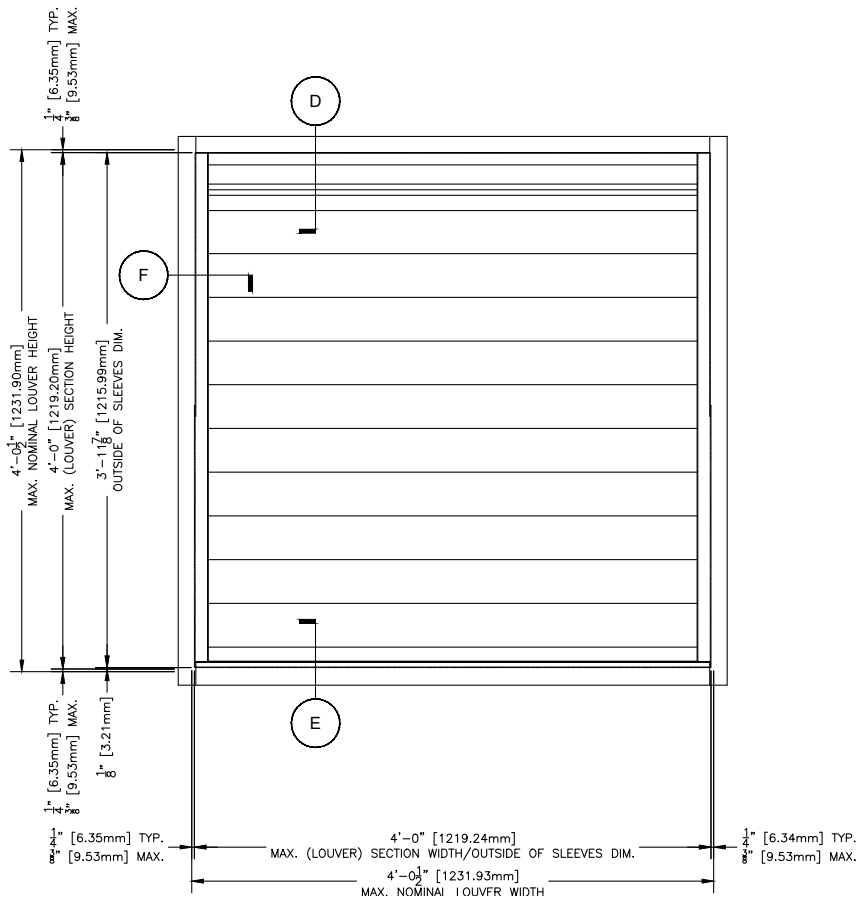
K6746MDE

Flange/Sleeve Installation

Florida Product Approval No: FL19676
 Miami-Dade NOA No.: 20-0929.09, EXP. 2/4/2026
 Maximum Wind-load: +/-150 PSF

Maximum Size and Installation Information

Model K6746MDE is a Miami-Dade Approved and Florida Product Approved louver and must be installed in accordance with the installation instructions shown herein. Model K6746MDE is qualified for installation within any substrate capable of withstanding imposed loads. Model K6746MDE is structurally calculated to withstand positive and negative wind-loads up to +/-150 PSF. The maximum typical rough opening height is limited to 48.50 in. and the typical rough opening width is limited to 48.5 in.



Minimum Typical Rough Opening Size
 12 in. W x 12 in. H

Maximum Typical Rough Opening Size
 48.50 in. W x 48.50 in. H

Building Condition/Substrate Limitations

Flange/Sleeve Installation

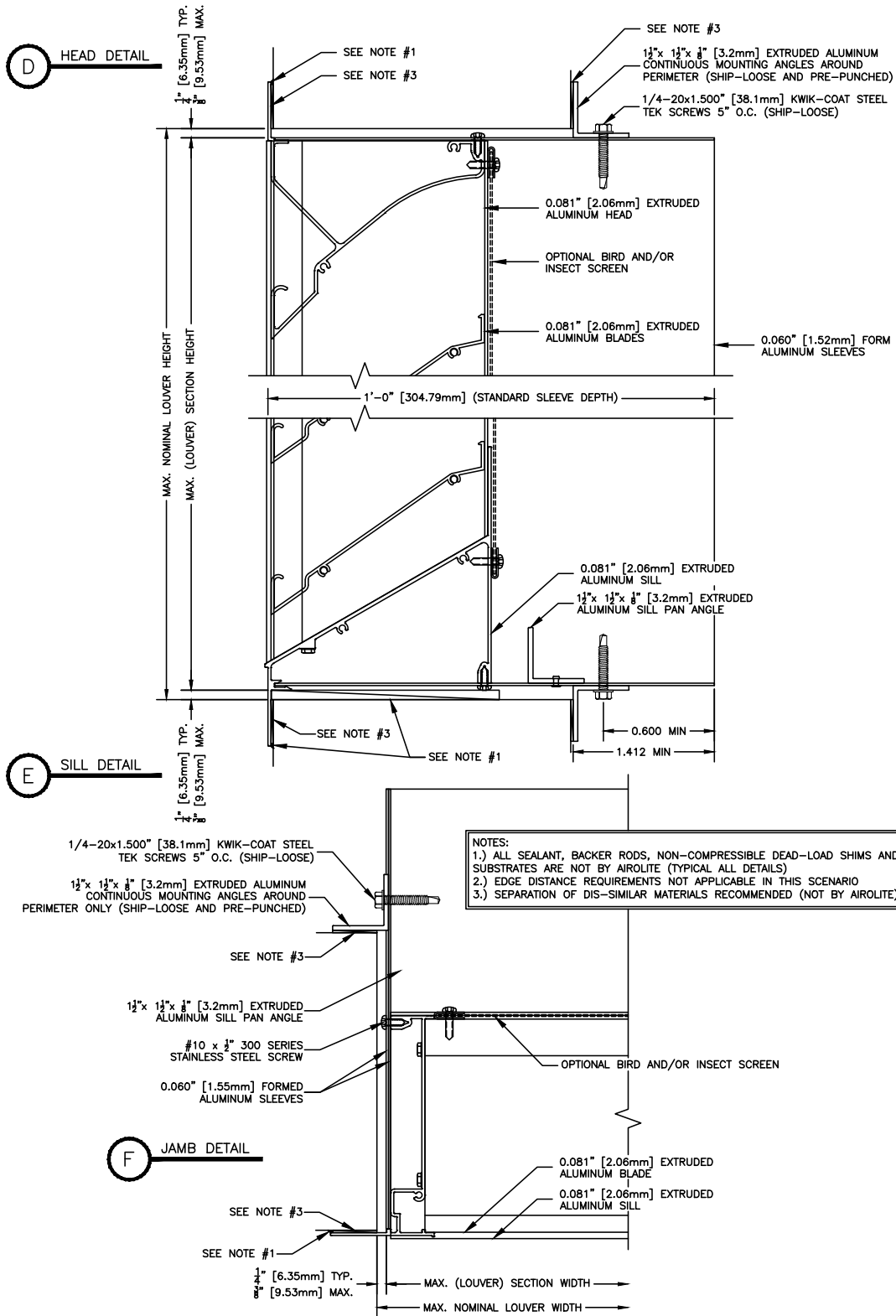
- Any substrate acceptable that is capable of withstanding imposed loads.

Installation Instructions

K6746MDE

Flange/Sleeve Installation

Florida Product Approval No: FL19676
 Miami-Dade NOA No.: 20-0929.09, EXP. 2/4/2026
 Maximum Wind-load: +/-150 PSF



Installation Instructions

K6746MDE

Flange/Sleeve Installation

Florida Product Approval No: FL19676
Miami-Dade NOA No.: 20-0929.09, EXP. 2/4/2026
Maximum Wind-load: +/-150 PSF

