

Installation, Operation and Maintenance Manual

Please read and save these instructions for future reference. Read carefully before attempting to assemble, install, operate or maintain the product described. Protect yourself and others by observing all safety information. Failure to comply with these instructions will result in voiding of the product warranty and may result in personal injury and/or property damage.

Recommended tools for installation:

- #2 Phillips screw driver
- One 5/16 inch wrench or hex socket or driver bit
- One 7/16 inch wrench or hex socket or driver bit

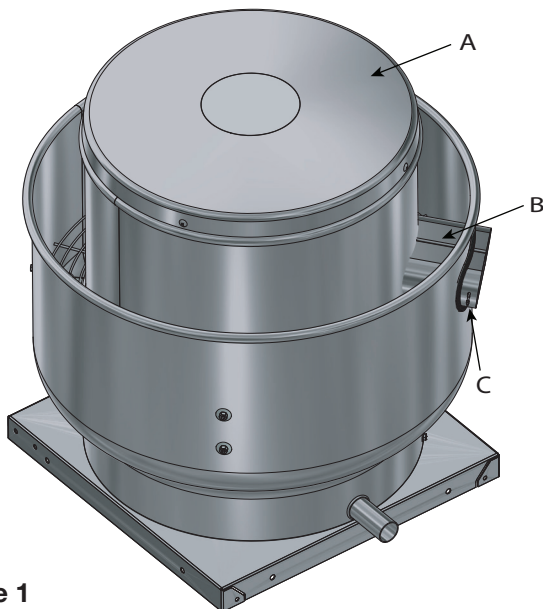


Figure 1

Included Fasteners

Qty	Description	Part Number
4*	Birdscreen clip	641315
4*	#12 x 1" self-drilling screw/clima seal	415815
4*	1/4" - 20 flanged nut	415575

*Fan will use either #12 self-drilling screws or 1/4" - 20 flanged nuts but not both. Mount designs vary depending on production year. There may be extra self-drilling screws or flange nuts depending on the fan size and production year.

WARNING

Disconnect power and observe proper lockout tag out procedures per OSHA Regulation, Title 29 Code of Federal Regulations Part 1910.147 & 1910.333.

Installation sizes 060-240

1. Disconnect wiring conduit from any existing externally mounted switches connected to the motor if directed through the fan's breather tube (See Figure 1, Component B). **NOTE:** Ensure power is disconnected from unit before this step is completed. If conduit through the fan's breather tube is non-existent this step is not required.
2. Remove motor hood cover (See Figure 1, Component A).
3. Remove interior birdscreen retaining clip from the breather tube by expanding the clip at open end (See Figure 1, Component C).
4. Remove breather tube from fan housing assembly by firmly pushing tube structure through both the outer windband and inner hoodband assembly in the exterior direction of the fan.
5. Place single piece birdscreen over fan outlet ensuring perpendicular screen supports do not overlap existing flange bolts or holes located on/in horizontal support structures.

- Secure birdscreen with birdscreen clip and either a #12 x 1 inch self-drilling fastener (See Figure 2) or 1/4 inch flanged nut (See Figure 3) at each horizontal support location. Clip should cover at least 2 radial wires within the birdscreen provided.
- Re-install breather tube previously removed in steps 3-4 and reconnect any switches before re-connecting power to unit.

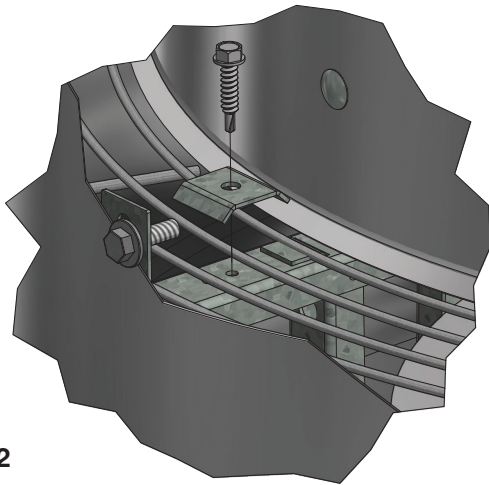


Figure 2

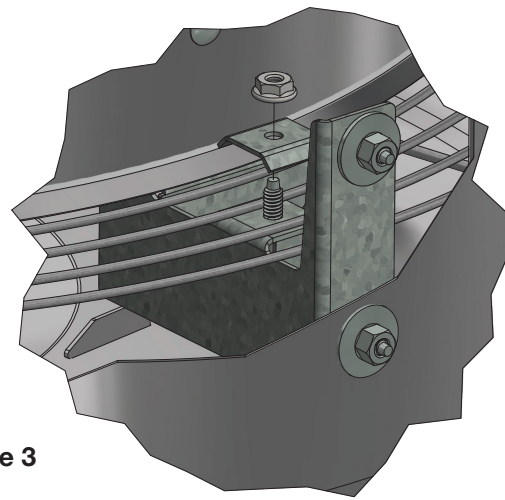


Figure 3

Installation Sizes 300-480

- Place one of the birdscreen pieces over fan outlet at a time with the screen end over a horizontal support. **NOTE:** One of the 2 birdscreen pieces provided will need to be oriented underneath the existing breather tube to rest against the existing horizontal support structures.
- Secure both birdscreen pieces with a birdscreen clip at each horizontal support location using a #12 x 1 inch self-drilling fasteners (See Figure 4). **NOTE:** Birdscreen clip located at birdscreen ends need to cover both birdscreen ends with all other clips covering at least 2 radial wires within the birdscreen provided (See Figure 4). Sizes 300 and above utilize 2 birdscreen clips and fasteners at each horizontal support location.

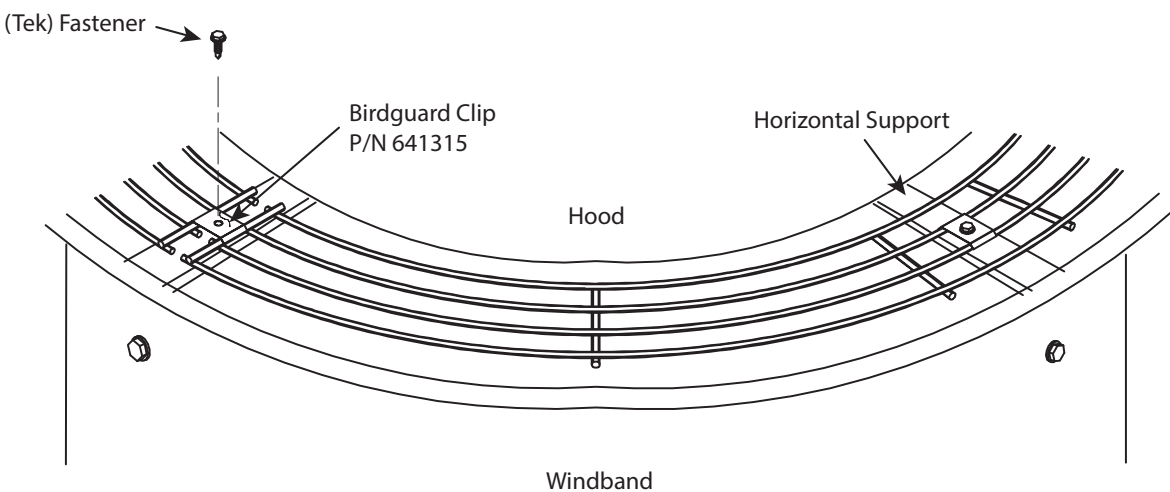


Figure 4

Our Commitment

As a result of our commitment to continuous improvement, we reserves the right to change specifications without notice.