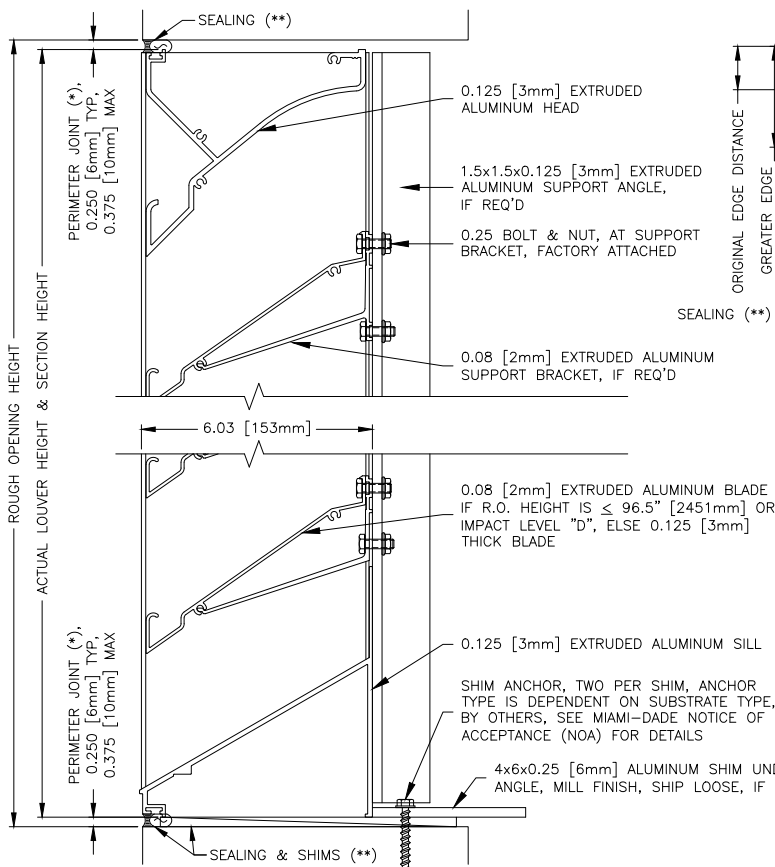


K6746MD

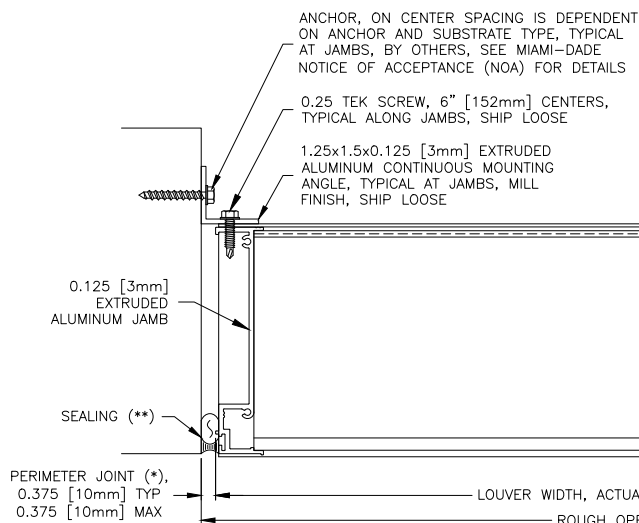
AMCA 540 and 550* Listed Hurricane Louver
Miami-Dade and Florida Product Approved
Extruded Aluminum | Drainable Blade

*AMCA 550 when selected with VCD-40 Damper

HEAD DETAIL – CHANNEL FRAME

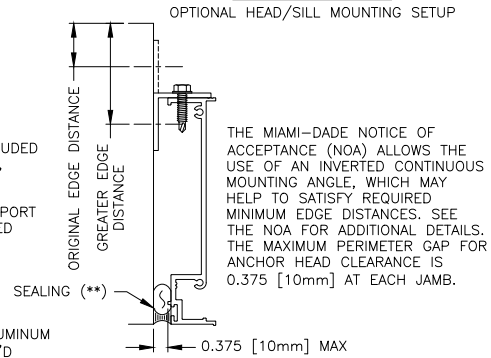


SILL DETAIL – CHANNEL FRAME



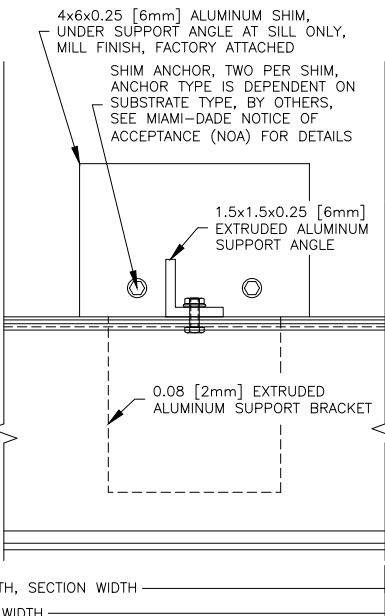
JAMB DETAIL – CHANNEL FRAME

INVERTED MOUNTING ANGLE DETAILS – CHANNEL FRAME



(* TYPICAL VALUE IS THE STANDARD DOWNSIZING VALUE WHEN ORDERED BASED ON ROUGH OPENING, MAXIMUM VALUE IS THE MAXIMUM ALLOWED BY THE MIAMI-DADE NOTICE OF ACCEPTANCE (NOA).

(**) SEALING, NON-COMPRESSIBLE DEAD-LOAD SHIMS, SEPARATION OF DISSIMILAR MATERIALS ARE BY OTHERS. SEALANT IS REQUIRED AROUND EACH SECTION TO COMPLY WITH AMCA 550 HIGH VELOCITY WIND DRIVEN RAIN TEST.

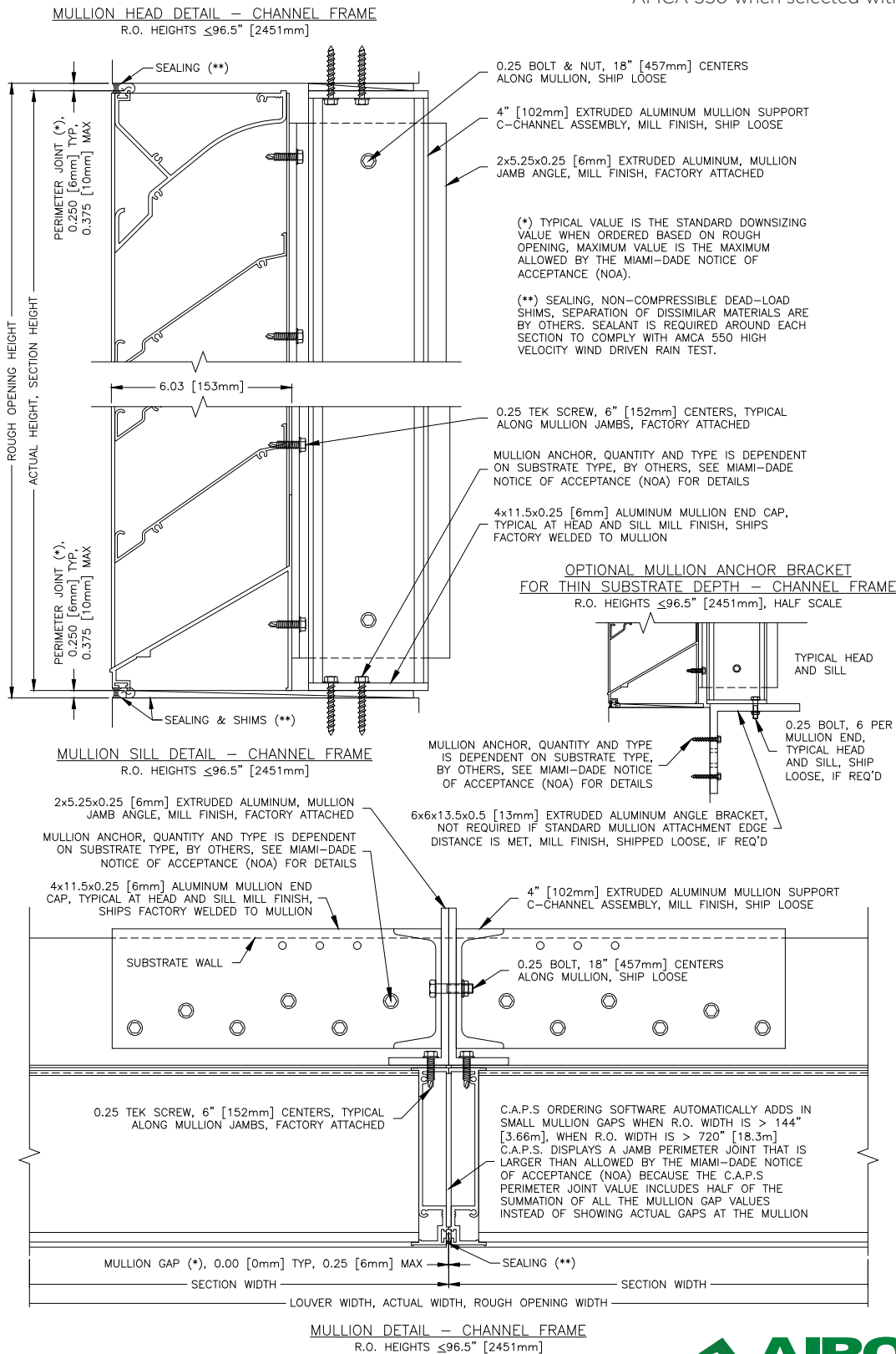


SUPPORT DETAIL – CHANNEL FRAME
SECTION WIDTHS $>36"$ [914mm]

AIROLITE
The look that works.™

K6746MD

AMCA 540 and 550* Listed Hurricane Louver
Miami-Dade and Florida Product Approved
Extruded Aluminum | Drainable Blade
*AMCA 550 when selected with VCD-40 Damper



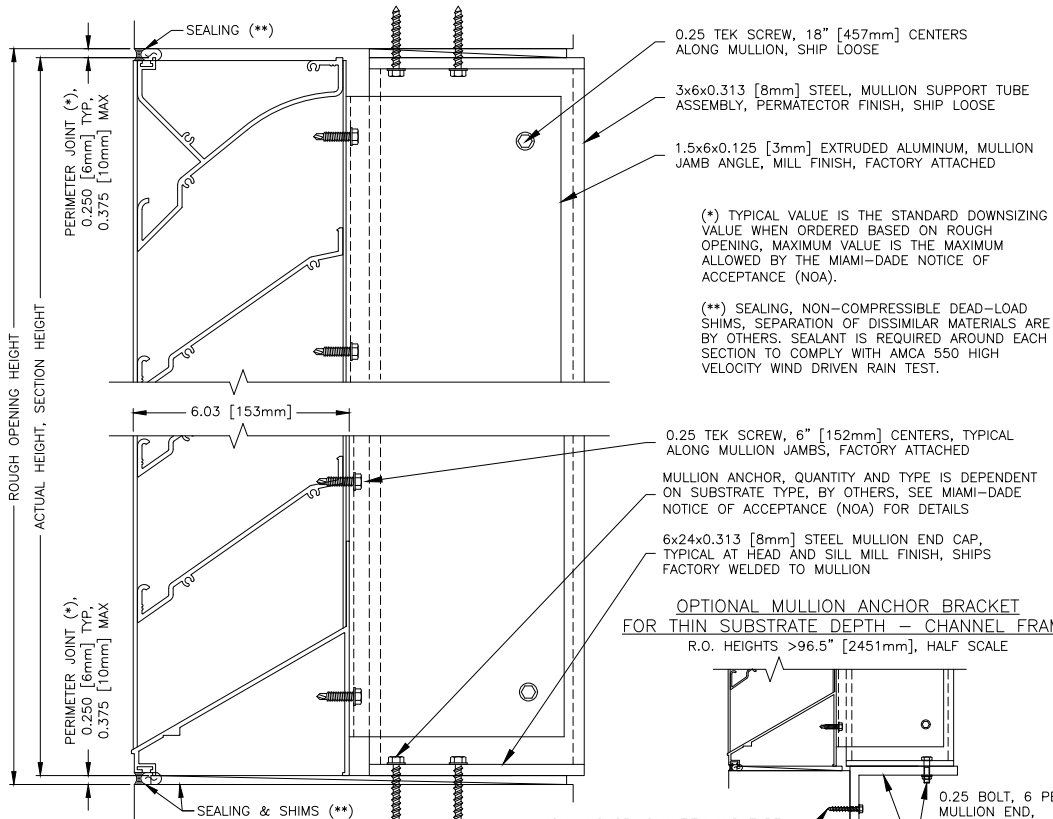
AIROLITE
The look that works.™

K6746MD

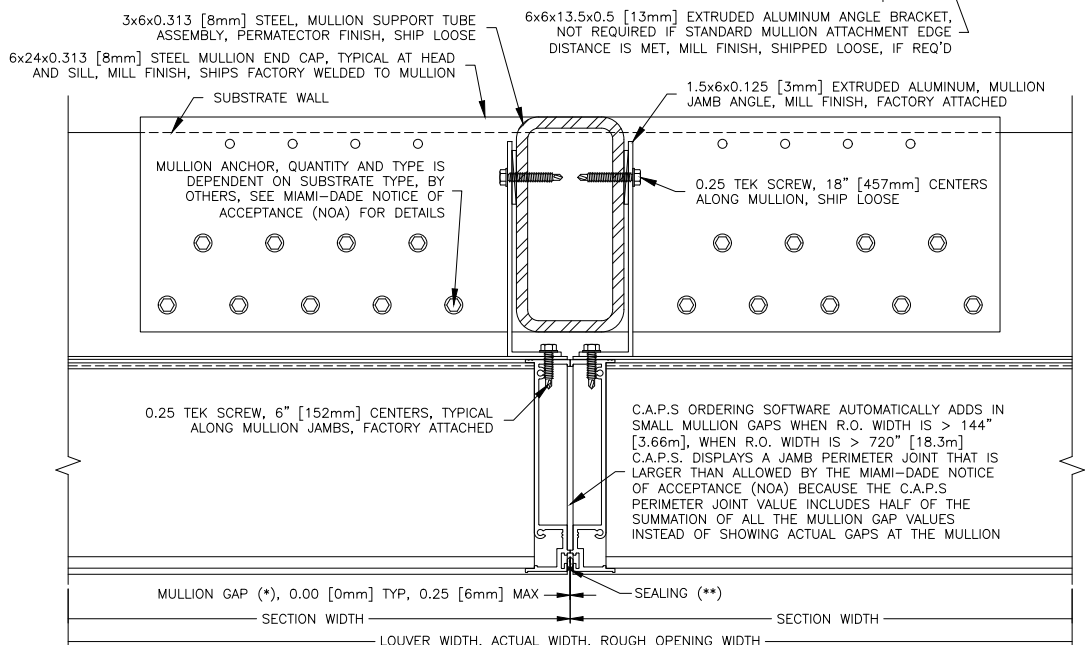
AMCA 540 and 550* Listed Hurricane Louver
Miami-Dade and Florida Product Approved
Extruded Aluminum | Drainable Blade

*AMCA 550 when selected with VCD-40 Damper

MULLION HEAD DETAIL – CHANNEL FRAME
R.O. HEIGHTS >96.5" [2451mm]



MULLION SILL DETAIL – CHANNEL FRAME
R.O. HEIGHTS >96.5" [2451mm]



MULLION DETAIL – CHANNEL FRAME
R.O. HEIGHTS >96.5" [2451mm]

