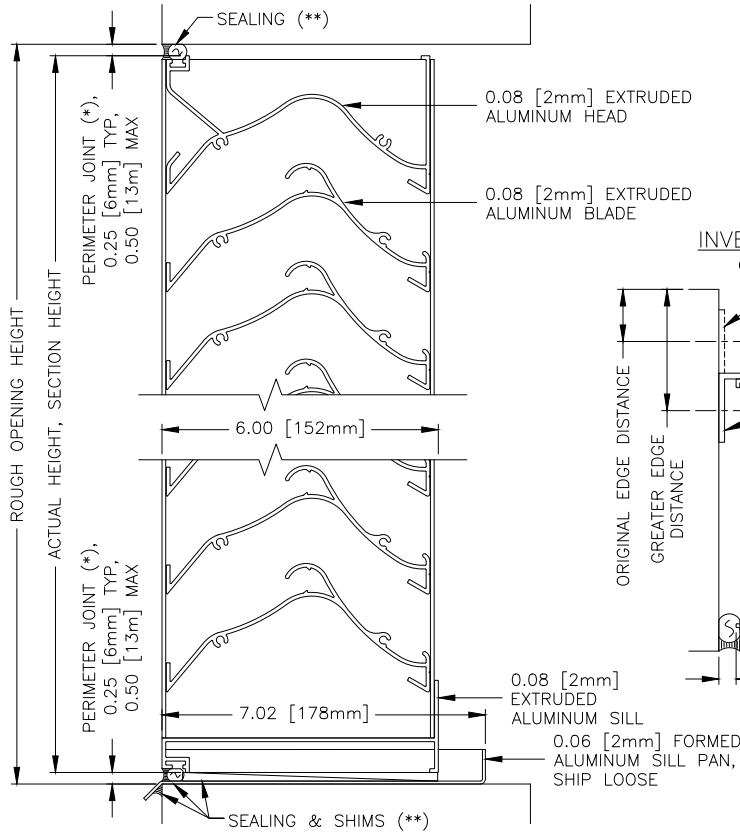


# SCH601MDE

AMCA 540 Listed Hurricane Louver  
Miami-Dade and Florida Product Approved  
Extruded Aluminum | Storm Class

## Standard Channel Frame

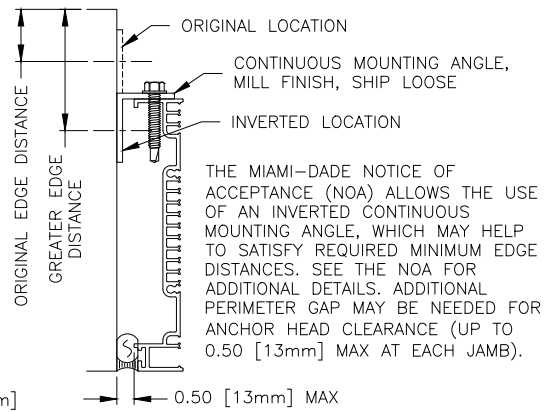
HEAD DETAIL



(\*) TYPICAL VALUE IS THE STANDARD DOWNSIZING VALUE WHEN ORDERED BASED ON ROUGH OPENING, MAXIMUM VALUE IS THE MAXIMUM ALLOWED BY THE MIAMI-DADE NOTICE OF ACCEPTANCE (NOA)

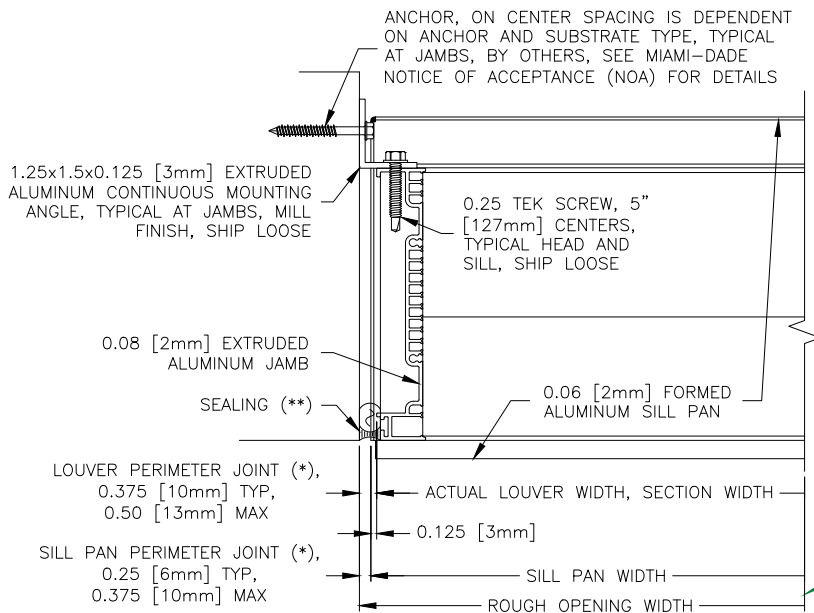
(\*\*) SEALING, NON-COMPRESSIBLE DEAD-LOAD SHIMS, SEPARATION OF DISSIMILAR MATERIALS ARE BY OTHERS. INSTALLER TO PROVIDE INTERMITTENT WEEPS BETWEEN LOUVER SILL AND SILL PAN.

INVERTED MOUNTING ANGLE DETAILS  
OPTIONAL HEAD/SILL MOUNTING SETUP



THE MIAMI-DADE NOTICE OF ACCEPTANCE (NOA) ALLOWS THE USE OF AN INVERTED CONTINUOUS MOUNTING ANGLE, WHICH MAY HELP TO SATISFY REQUIRED MINIMUM EDGE DISTANCES. SEE THE NOA FOR ADDITIONAL DETAILS. ADDITIONAL PERIMETER GAP MAY BE NEEDED FOR ANCHOR HEAD CLEARANCE (UP TO 0.50 [13mm] MAX AT EACH JAMB).

SILL DETAIL



JAMB DETAIL

**AIROLITE**  
The look that works.™