

Installation, Operation, and Maintenance Instructions

This manual is the property of the owner, and is required for future maintenance. Please leave it with the owner when the job is complete.

RECEIVING AND HANDLING

Upon receiving the sun control(s), check for both obvious and hidden damage. If damage is found, record all necessary information on the bill of lading and file a claim with the final carrier. Check to be sure that all parts of the shipment, including accessories, are accounted for.

SAFETY WARNING:

Improper installation, adjustment, alteration, service or maintenance can cause property damage, injury or death. Read the installation, operating, and maintenance instructions thoroughly before installing or servicing this equipment.

STORAGE

The sun controls and components are shipped in semi-enclosed wooden crates, and should be left in the crate until ready for installation. Inside storage is preferable. If outside storage is required, the crates should be blocked up or otherwise elevated from the ground or pavement, and covered securely with waterproof coverings of plastic film. Wraps "Coverall" or "Visqueen" film sheeting is recommended as adequate protection, however, any plastic film waterproof sheeting of equal quality is acceptable. Sun controls and components are not wrapped or protected from moisture or dirt within the wooden crates. If prolonged storage is anticipated, either inside or out in the weather, adequate steps should be taken to protect the units and their finishes. It is also possible to order individual section plastic wrap when long term storage is anticipated. Handling to and from storage should be accomplished with the wooden crates intact. Physical damages, marred finishes, loss of loose parts and fasteners, and separation of associated components may occur if crates are dismantled and sunshade components removed to facilitate storage.

MAINTENANCE

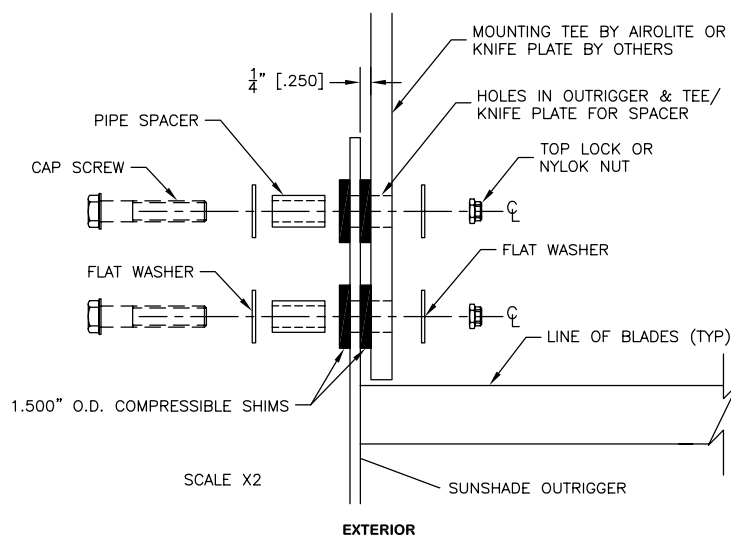
Stationary or fixed blade sun controls require no maintenance to remain functional. The sunshade finish may be subject to deterioration dependent solely upon the environment in which sun controls are installed. Appearance and longevity of the finish may be greatly extended by an occasional cleaning, the frequency of which, is again solely dependent upon the environment. Proper cleaning may be accomplished with the use of a light scrubbing action, used in conjunction with a good grade of common household mild detergent. Harsh acidic or caustic cleaners are not recommended. Under no condition should the sunshade or component finish be scrubbed with an abrasive cleaner or apparatus.

WARRANTY

Airolite warrants this equipment to be free from defects in material and workmanship for a period of one year from the shipment date. Any units or parts which prove to be defective during the warranty period will be repaired or replaced at our option. Airolite shall not be liable for damages resulting from misapplication or misuse of its products. Airolite will not be responsible for any installation or removal costs. Airolite will not be responsible for any service work or backcharges without prior written authorization.

INSTALLATION GUIDELINES

SINGLE SECTION / END JAMB ATTACHMENT



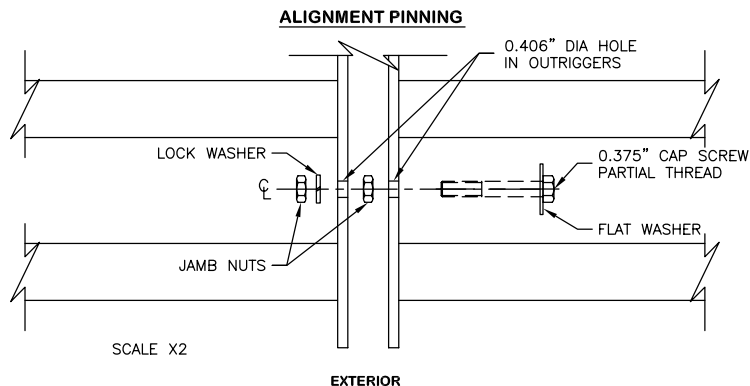
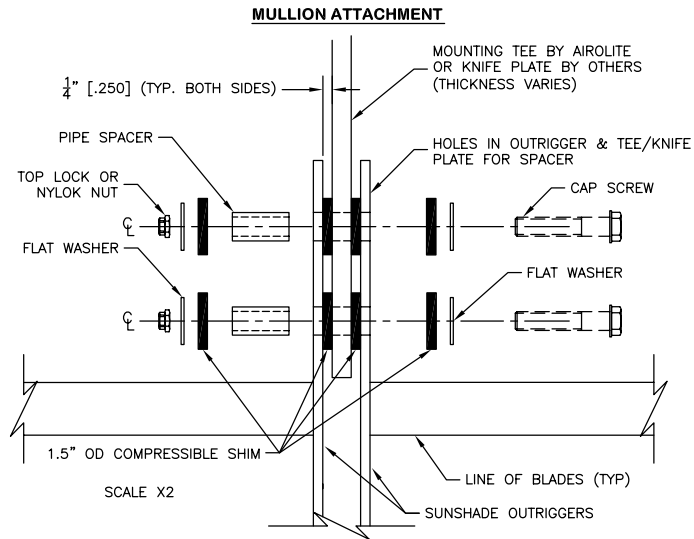
INSTALLATION INSTRUCTIONS FOR SINGLE SECTION/END OUTRIGGER SUNSHADES

- 1- PUT SUNSHADE IN PLACE.
- 2- PLACE COMPRESSIBLE SHIMS BETWEEN KNIFE PLATE AND OUTRIGGERS.
- 3- INSERT SPACER THRU OUTRIGGER, SHIM, & KNIFE PLATE.
- 4- PLACE 2ND COMPRESSIBLE SHIM OVER SPACER.
- 5- SLIDE BOLT THRU ONE WASHER AND THEN THROUGH THE PIPE SPACER.
- 6- ADD WASHER & NUT AND TIGHTEN DOWN.

**NOTE. THESE CONNECTIONS ALLOW FOR THERMAL EXPANSION AT THE JAMBS. DO NOT ADD ADDITIONAL WASHERS TO MAKE CONNECTION TIGHTER. HOLES IN OUTRIGGERS AND KNIFE PLATES ARE SIZED TIGHT TO REDUCE POSSIBILITY OF SAG AT THE FRONT OF THE SUNSHADE.

Due to continuing research, Airolite reserves the right to change specifications without notice.

INSTALLATION GUIDELINES



INSTALLATION INSTRUCTIONS FOR MULTIPLE SECTION SUNSHADES

- 1- PUT SUNSHADE IN PLACE.
- 2- PLACE COMPRESSIBLE SHIMS BETWEEN KNIFE PLATE AND OUTRIGGERS.
- 3- INSERT SPACER THRU OUTRIGGER, SHIM, & KNIFE PLATE.
- 4- PLACE 2ND COMPRESSIBLE SHIM OVER SPACER.
- 5- SLIDE BOLT THRU ONE WASHER AND THEN THROUGH THE PIPE SPACER.
- 6- ADD WASHER & NUT AND TIGHTEN DOWN.
- 7- TO ATTACH MULLIONS, SUPPORT MULLION SIDE OF SUNSHADE AND LOCATE NEXT SECTION IN PLACE.
- 8- PLACE COMPRESSIBLE SHIMS BETWEEN KNIFE PLATES AND OUTRIGGERS.
- 9- INSTALL SPACER THRU OUTRIGGERS, SHIM & KNIFE PLATE. CONTINUE TO PLACE ANOTHER SHIM ON SPACER END AND INSTALL IT THRU THE SECOND OUTRIGGER.
- 10- SLIDE 1.25" OD WASHER AND ANOTHER COMPRESSIBLE SHIM ON TO BOLT.
- 11- MAKE SURE HOLES IN OUTRIGGERS & HOLE IN KNIFE PLATE ARE ALIGNED & SLIDE BOLT THRU PIPE SPACERS.
- 12- SLIDE ANOTHER COMPRESSIBLE SHIM AND 1.25" OD WASHER ON THREADED END OF BOLT AND THREAD NUT ON TIGHT.
- 13- REPEAT FOR ALL HOLES.

****NOTE.** THESE CONNECTIONS ALLOW FOR THERMAL EXPANSION AT THE JAMBS. DO NOT ADD ADDITIONAL WASHERS TO MAKE CONNECTION TIGHTER. HOLES IN OUTRIGGERS AND KNIFE PLATES ARE SIZED TIGHT TO REDUCE POSSIBILITY OF SAG AT THE FRONT OF THE SUNSHADE.

INSTALLATION INSTRUCTIONS FOR ALIGNMENT PIN

- 1- SLIDE .375 BOLT THRU FLAT WASHER AND THRU FIRST OUTRIGGER.
- 2- THREAD JAMB NUT ON BOLT TO END OF THREADS.
- 3- SLIDE BOLT THRU THE OTHER OUTRIGGER AND ADD LOCK WASHER & JAMB NUT.
- 4- TIGHTEN DOWN BOTH NUTS ON ONE OUTRIGGER ALLOWING SHOULDER END OF BOLT TO MOVE FREELY THRU THE OTHER OUTRIGGER

****NOTE.** THESE CONNECTIONS ALLOW FOR THERMAL EXPANSION AT THE MULLIONS. DO NOT ADD ADDITIONAL WASHERS TO MAKE CONNECTION TIGHTER. HOLES IN OUTRIGGERS AND KNIFE PLATES ARE SIZED AT ONLY 1/32" OVER SIZE TO REDUCE POSSIBILITY OF SAG AT THE FRONT OF THE SUNSHADE.

AIROLITE®
 The look that works.™

P.O. Box 410, 525 Western Road, Schofield, WI 54476-0410 USA
 715.841.8757 • fax 715.841.8773 • www.airolite.com

Copyright © 2013 The Airolite Company, LLC
 #476320 Sun Control IOM February 2013