

# XG-2000 Series Linear Bar Grille Selection Guide



## Mounting Options

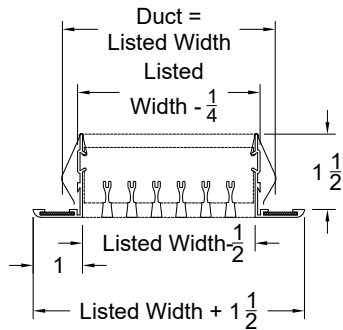
Model	Available Mounting Options										
	None	Floor Mounting (F)	Floor Mounting - Pencil Proof (FP)	Core Only (CO)	Core Only Pencil Proof (PCO)	Concealed Mounting - Hanger Brackets (H)	Spline Subframe (HP)	Combo Subframe (HC)	Narrow / Wall Subframe (HW)	Tape and Spackle (TS)	Available Mitered Corner Sections (MC)
<a href="#">XG-2000</a>	X	X	X	X	X	X	X			X	X
<a href="#">XG-2100</a>	X					X	X	X	X		X
<a href="#">XG-2200</a>		X	X			X					
<a href="#">XG-2300</a>	X	X		X	X	X	X			X	X
<a href="#">XG-2400</a>	X					X	X	X	X		X
<a href="#">XG-2500</a>	X			X	X	X	X			X	X
<a href="#">XG-2600</a>	X					X	X	X	X		X
<a href="#">XG-2700</a>						X					
<a href="#">XG-2800</a>						X					

## Construction

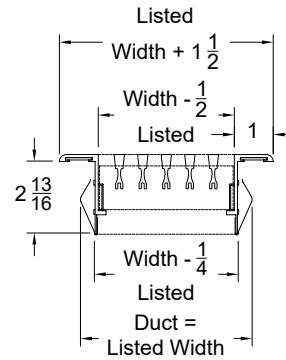
Model	Bar Width		Bar Spacing on Centers		Border Width		
	7/32"	1/8"	1/4"	1/2"	3/16"	1/2"	1"
<a href="#">XG-2000</a>	X			X			X
<a href="#">XG-2100</a>	X			X		X	
<a href="#">XG-2200</a>	X			X	X		
<a href="#">XG-2300</a>		X	X				X
<a href="#">XG-2400</a>		X	X			X	
<a href="#">XG-2500</a>		X		X			X
<a href="#">XG-2600</a>		X		X		X	
<a href="#">XG-2700</a>		X		X	X		
<a href="#">XG-2800</a>		X	X		X		

## Mounting Options – Dimensional Drawings

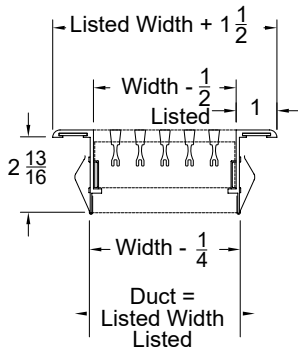
Note: Not all mounting options below are available on every XG-2000 series product. Please see the “Mounting Options” table in the previous section for all available mounting options per product family.



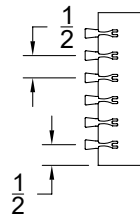
**Flush Surface Mount  
Non-Removable Core (XG-2000 model shown)**



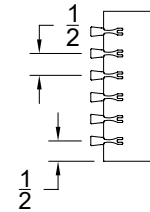
**Floor, Wall or Sill Mounting –  
Removable Core (XG-2000F model shown)**



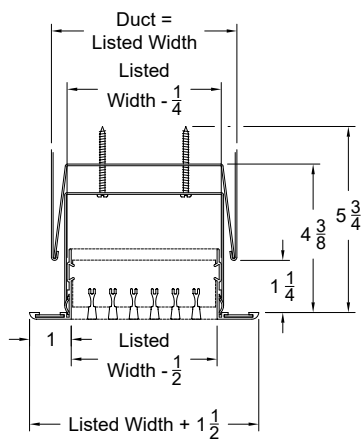
**Pencil Proof Floor, Wall or Sill Mounting  
(XG-2000FP model shown)**



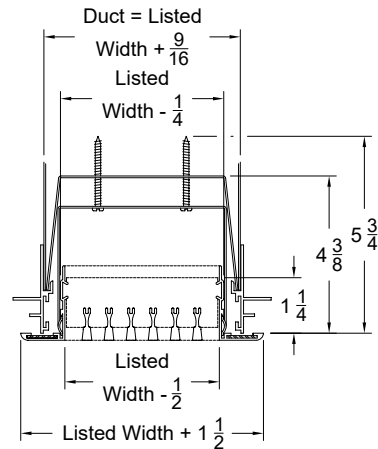
**Core Only  
(XG-2000CO model shown)**



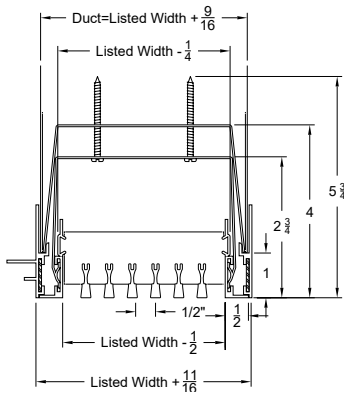
**Pencil Proof Core Only  
(XG-2000PCO model shown)**



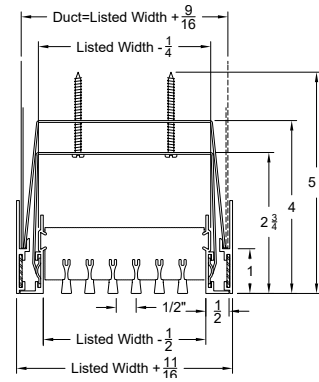
**Concealed Mounting Hanger Brackets  
(XG-2000H model shown)**



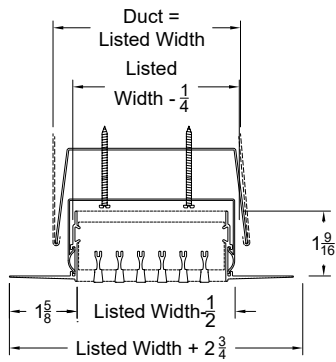
**Spine Subframe for Plaster Wall and Ceiling  
(XG-2000HP model shown)**



**Combination Narrow Wall / Spline Mounting  
(XG-2100HC model shown)**



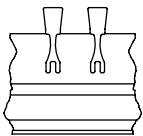
**Narrow / Wall Subframe Mounting  
(XG-2100HW model shown)**



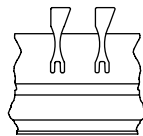
**Tape and Spackle Mounting  
(XG-2100TS model shown)**

## Deflection Options

0° Deflection



15° Deflection



30° Deflection

