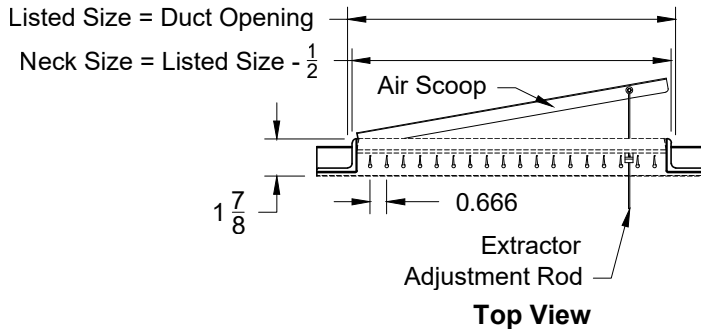
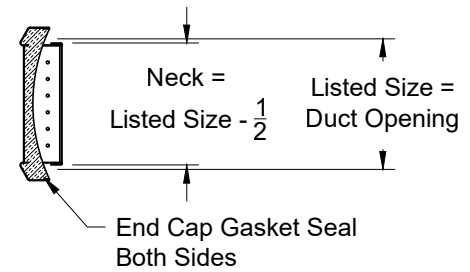
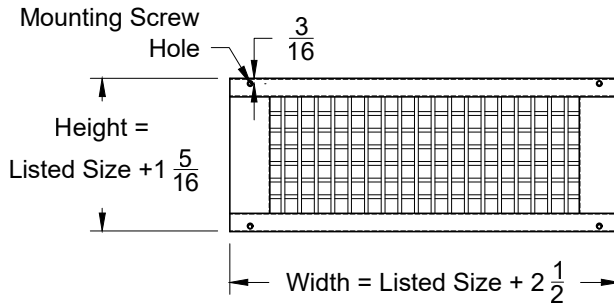
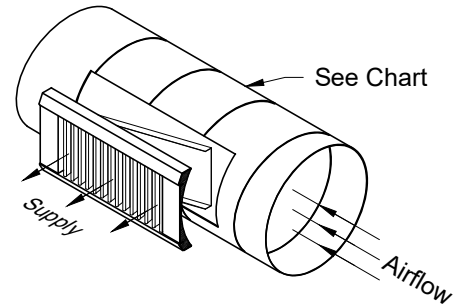


Model: XG-4004SP-1 Double Deflection - Universal Frame - Vertical Front Blades - Surface Mount - Supply

XG-4004SP-1 - Surface Mount



Isometric View



Height	Width														
	10"	12"	14"	16"	18"	20"	24"	30"	36"	38"	40"	42"	44"	46"	48"
	Minimum / Maximum Duct Diameter														
3"	6/24	6/24	6/24	6/24	6/24	6/24	6/24	6/24	6/24	6/24	6/24	6/24	6/24	6/24	6/24
4"	8/24	8/24	8/24	8/24	8/24	8/24	8/24	8/24	8/24	8/24	8/24	8/24	8/24	8/24	8/24
6"	12/24	12/24	12/24	12/24	12/24	12/24	12/24	12/24	12/24	12/24	12/24	12/24	12/24	12/24	12/24
8"	N/A	N/A	20/36	20/36	20/36	20/36	20/36	20/36	20/36	20/36	20/36	20/36	20/36	20/36	20/36
10"	N/A	N/A	N/A	N/A	30/48	30/48	30/48	30/48	30/48	30/48	30/48	30/48	30/48	30/48	30/48
12"	N/A	N/A	N/A	N/A	42/48	42/48	42/48	42/48	42/48	42/48	42/48	42/48	42/48	42/48	42/48

1. Available Finishes	2. Available Accessories	3. Available Options	4. Construction Details
Standard Finish: 01 White Finish 24 Mill Finish		AS - Air Scoop NAS - No Air Scoop	<ul style="list-style-type: none"> Air Scoop includes wire handle for operation Ends are supplied with foam gasket to seal around duct Units are surface mount, provided with screw template to mount into duct Available in Listed Sizes Only

All Dimensions $\pm 1/16"$