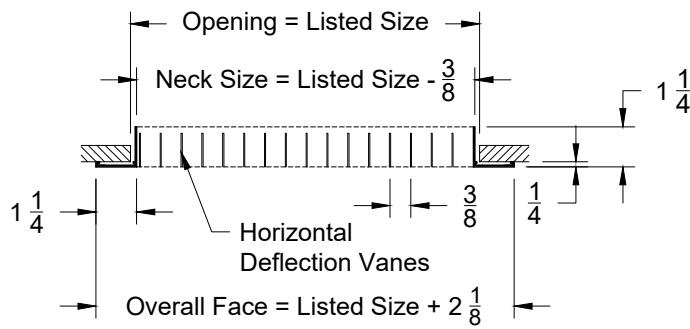
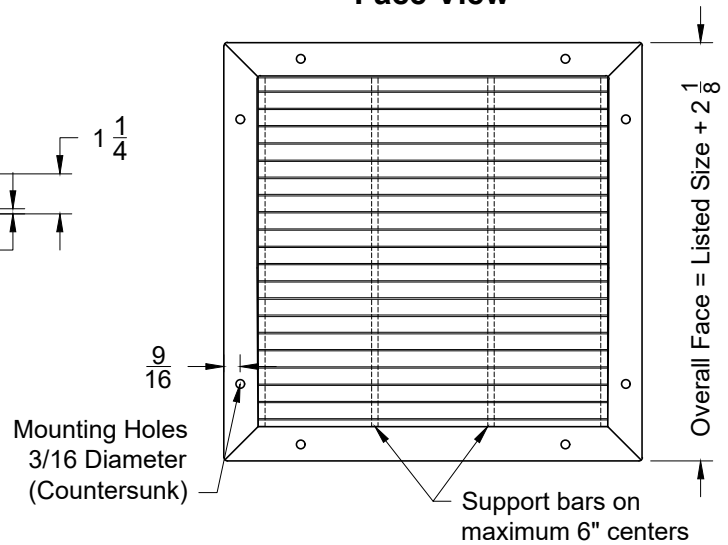


Model: XG-4500-1 0° Deflection Horizontal Fixed Blades - Flush Surface Mount
 XG-4538-1 38° Deflection Horizontal Fixed Blades - Flush Surface Mount

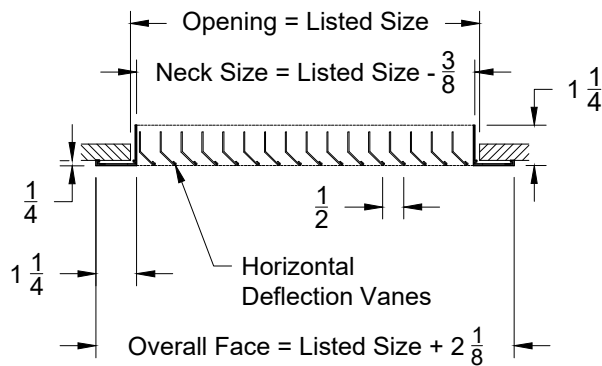
XG-4500-1 - Flush Surface Mount



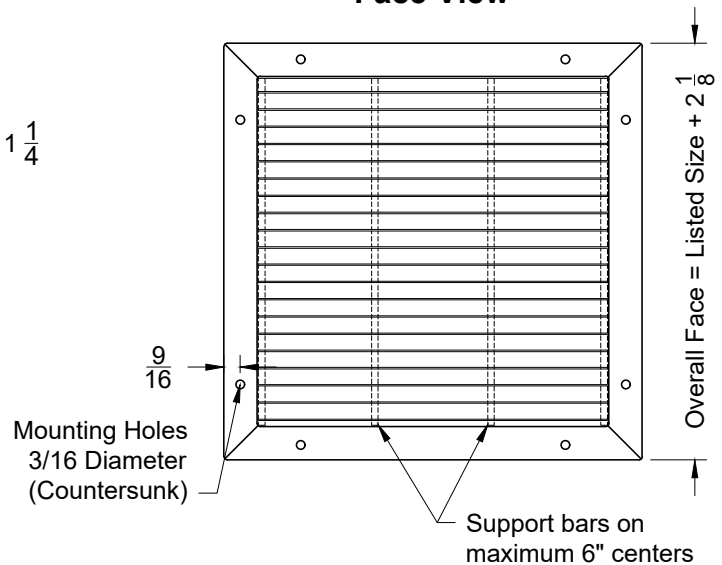
Face View



XG-4538-1 - Flush Surface Mount



Face View



Note: This product complies with NFPA 90A-18 standard 4.3.7.3.2 and 4.3.8.3.2 and is constructed with openings through which a 1/2" sphere can not pass.

1. Available Finishes	2. Available Accessories	3. Available Options	4. Construction Details
Standard Finish: 01 White Finish 24 Mill Finish Optional Finish 02 Satin Silver 03 Black 28 Custom Color	XG-OBD - Steel Opposed Blade Damper XG-OBDA - Aluminum OBD XG-L9 - Equalizing Grid XG-PF - Plaster Frame	XG-IS - Insect Screen XG-NSH - No Screw Holes	<ul style="list-style-type: none"> • Oversized Units made in multiple sections • Largest single section is 48x48 • Mullion strips provided for joining units in field
All Dimensions ±1/16"			