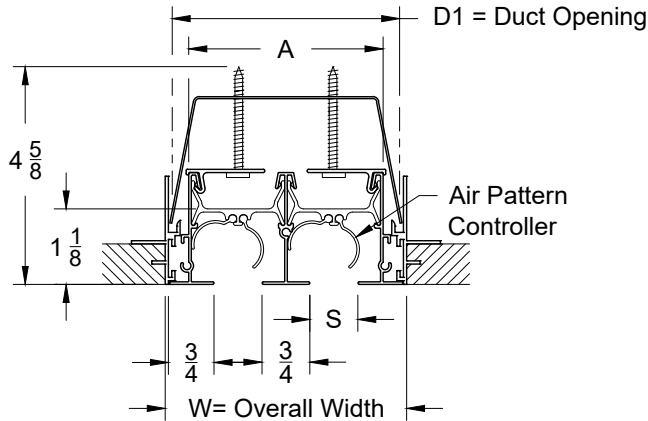
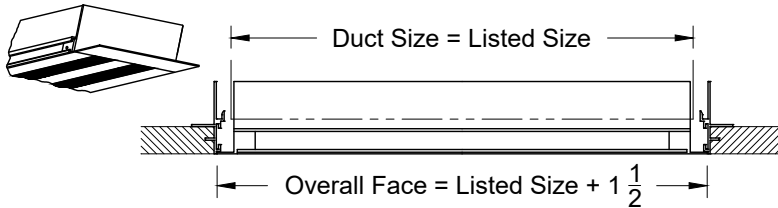


Model: XG-6600R-22-73 3/4" Border - Concealed Spine Concealed Mount - Plaster Frame

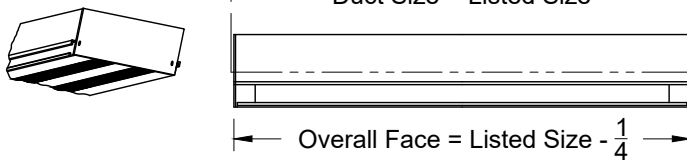
XG-6600R-22-73 - Concealed Mount



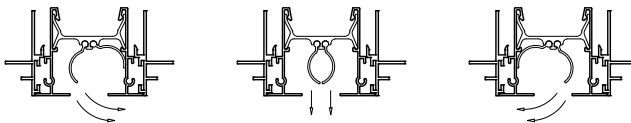
Option: End Border



Option: End Cap



Air Deflection Patterns



Model	S = Slots	NECK	DUCT	FACE
	Slots	A	D1	W
XG-6650R	1	1 5/16	1 13/16	2 1/8
	2	2 9/16	3 1/16	3 3/8
	3	3 13/16	4 5/16	4 5/8
	4	5 1/16	5 9/16	5 7/8
	5	6 5/16	6 13/16	7 1/8
	6	7 9/16	8 1/16	8 3/8
	7	8 13/16	9 5/16	9 5/8
	8	10 1/16	10 9/16	10 7/8
XG-6675R	1	1 9/16	2 1/16	2 3/8
	2	3 1/16	3 9/16	3 7/8
	3	4 9/16	5 1/16	5 3/8
	4	6 1/16	6 9/16	6 7/8
	5	7 9/16	8 1/16	8 3/8
	6	9 1/16	9 9/16	9 7/8
	7	10 9/16	11 1/16	11 3/8
	8	12 1/16	12 9/16	12 7/8
XG-6610	1	1 13/16	2 5/16	2 5/8
	2	3 9/16	4 1/16	4 3/8
	3	5 5/16	5 13/16	6 1/8
	4	7 1/16	7 9/16	7 7/8
	5	8 13/16	9 5/16	9 5/8
	6	10 9/16	11 1/16	11 3/8
	7	12 5/16	12 13/16	13 1/8
	8	14 1/16	14 9/16	14 7/8
XG-6615	1	2 5/16	2 13/16	3 1/8
	2	4 9/16	5 1/16	5 3/8
	3	6 13/16	7 5/16	7 5/8
	4	9 1/16	9 9/16	9 7/8

1. Available Finishes

Standard Finish:
 20 - White Face, Black Back
 02 - Satin Silver
 03 - Black
 Optional Finish:
 28 - Special/Setup Charge

2. Available Accessories

3. Available Options

MRI - MRI Construction
 1EC - (1) End Cap
 2EC - (2) End Caps
 1EB - (1) End Border
 2EB - (2) End Borders
 OO - Open / Open

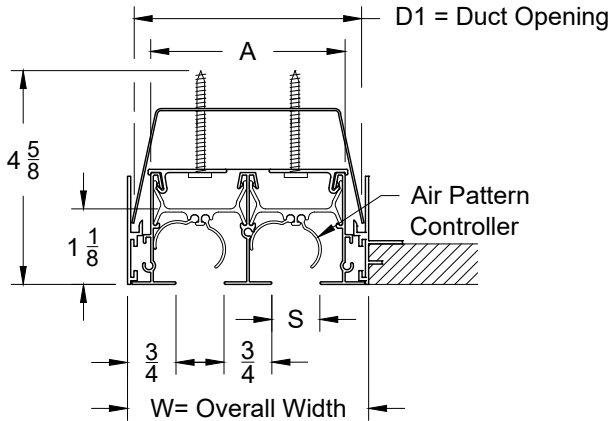
4. Construction Details

- Sizes available in only 1-8 slots
- Longest single section is 96"
- Continuous lengths are made in sections

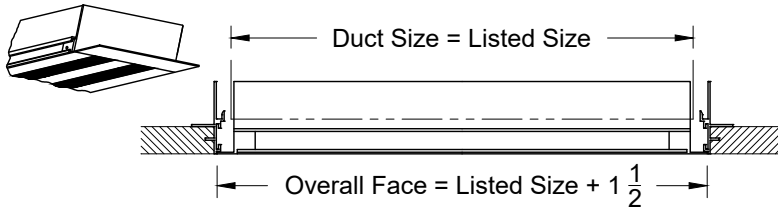
All Dimensions ±1/16"

Model: XG-6600R-22-74 3/4" Border - Concealed Spine Concealed Mount - Wall Frame / Plaster Frame

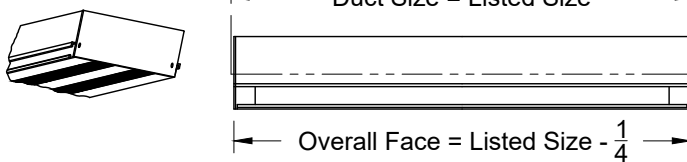
XG-6600R-22-74 - Concealed Mount



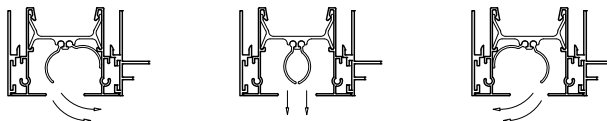
Option: End Border



Option: End Cap



Air Deflection Patterns



Model	S = Slots	NECK	DUCT	FACE
	Slots	A	D1	W
XG-6650R	1	1 5/16	1 13/16	2 1/8
	2	2 9/16	3 1/16	3 3/8
	3	3 13/16	4 5/16	4 5/8
	4	5 1/16	5 9/16	5 7/8
	5	6 5/16	6 13/16	7 1/8
	6	7 9/16	8 1/16	8 3/8
	7	8 13/16	9 5/16	9 5/8
	8	10 1/16	10 9/16	10 7/8
XG-6675R	1	1 9/16	2 1/16	2 3/8
	2	3 1/16	3 9/16	3 7/8
	3	4 9/16	5 1/16	5 3/8
	4	6 1/16	6 9/16	6 7/8
	5	7 9/16	8 1/16	8 3/8
	6	9 1/16	9 9/16	9 7/8
	7	10 9/16	11 1/16	11 3/8
	8	12 1/16	12 9/16	12 7/8
XG-6610	1	1 13/16	2 5/16	2 5/8
	2	3 9/16	4 1/16	4 3/8
	3	5 5/16	5 13/16	6 1/8
	4	7 1/16	7 9/16	7 7/8
	5	8 13/16	9 5/16	9 5/8
	6	10 9/16	11 1/16	11 3/8
	7	12 5/16	12 13/16	13 1/8
	8	14 1/16	14 9/16	14 7/8
XG-6615	1	2 5/16	2 13/16	3 1/8
	2	4 9/16	5 1/16	5 3/8
	3	6 13/16	7 5/16	7 5/8
	4	9 1/16	9 9/16	9 7/8

1. Available Finishes

Standard Finish:
 20 - White Face, Black Back
 02 - Satin Silver
 03 - Black
 Optional Finish:
 28 - Special/Setup Charge

2. Available Accessories

3. Available Options

MRI - MRI Construction
 1EC - (1) End Cap
 2EC - (2) End Caps
 1EB - (1) End Border
 2EB - (2) End Borders
 OO - Open / Open

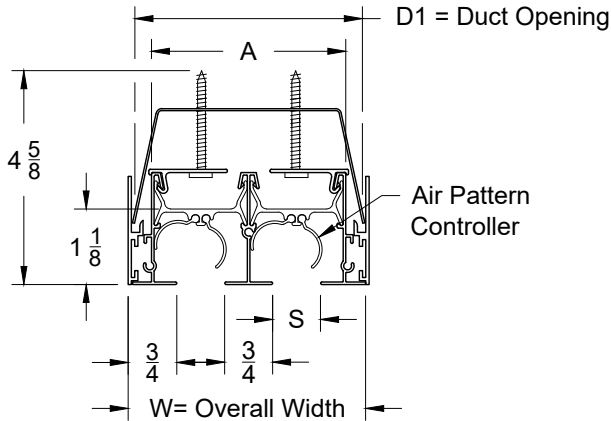
4. Construction Details

- Sizes available in only 1-8 slots
- Longest single section is 96"
- Continuous lengths are made in sections

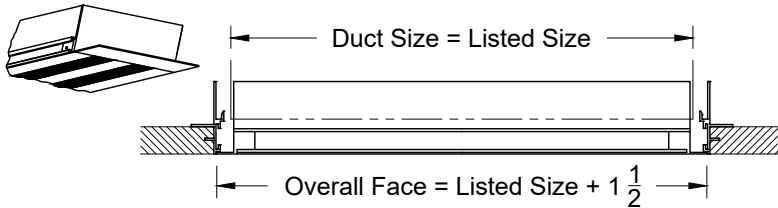
All Dimensions ±1/16"

Model: XG-6600R-22-75 3/4" Border - Concealed Spline Concealed Mount - Wall Frame

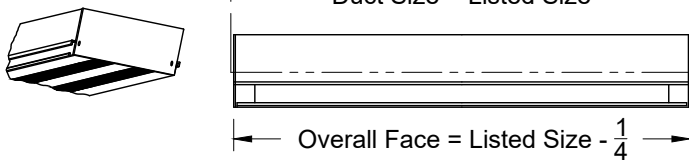
XG-6600R-22-75 - Concealed Mount



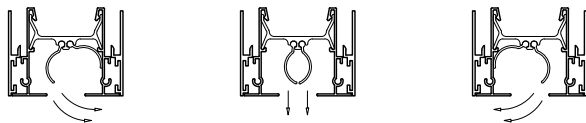
Option: End Border



Option: End Cap



Air Deflection Patterns



Model	S = Slots	NECK	DUCT	FACE
	Slots	A	D1	W
XG-6650R	1	1 5/16	1 13/16	2 1/8
	2	2 9/16	3 1/16	3 3/8
	3	3 13/16	4 5/16	4 5/8
	4	5 1/16	5 9/16	5 7/8
	5	6 5/16	6 13/16	7 1/8
	6	7 9/16	8 1/16	8 3/8
	7	8 13/16	9 5/16	9 5/8
	8	10 1/16	10 9/16	10 7/8
XG-6675R	1	1 9/16	2 1/16	2 3/8
	2	3 1/16	3 9/16	3 7/8
	3	4 9/16	5 1/16	5 3/8
	4	6 1/16	6 9/16	6 7/8
	5	7 9/16	8 1/16	8 3/8
	6	9 1/16	9 9/16	9 7/8
	7	10 9/16	11 1/16	11 3/8
	8	12 1/16	12 9/16	12 7/8
XG-6610	1	1 13/16	2 5/16	2 5/8
	2	3 9/16	4 1/16	4 3/8
	3	5 5/16	5 13/16	6 1/8
	4	7 1/16	7 9/16	7 7/8
	5	8 13/16	9 5/16	9 5/8
	6	10 9/16	11 1/16	11 3/8
	7	12 5/16	12 13/16	13 1/8
	8	14 1/16	14 9/16	14 7/8
XG-6615	1	2 5/16	2 13/16	3 1/8
	2	4 9/16	5 1/16	5 3/8
	3	6 13/16	7 5/16	7 5/8
	4	9 1/16	9 9/16	9 7/8

1. Available Finishes

Standard Finish:
 20 - White Face, Black Back
 02 - Satin Silver
 03 - Black
 Optional Finish:
 28 - Special/Setup Charge

2. Available Accessories

3. Available Options

MRI - MRI Construction
 1EC - (1) End Cap
 2EC - (2) End Caps
 1EB - (1) End Border
 2EB - (2) End Borders
 OO - Open / Open

4. Construction Details

- Sizes available in only 1-8 slots
- Longest single section is 96"
- Continuous lengths are made in sections

All Dimensions ±1/16"