

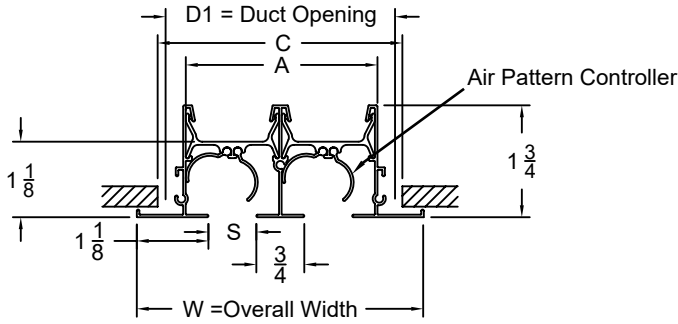
XG-6600 Linear Slot Diffuser Selection Guide



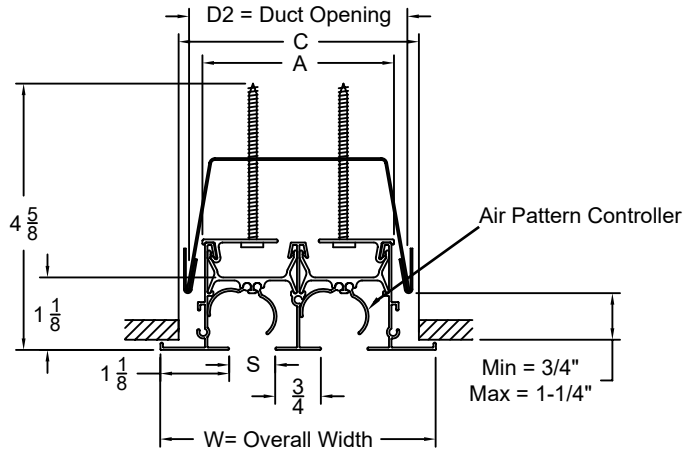
Frame	Application						Hardware		Border				
	Surface Mount	Lay-In	Drop Face	Narrow Tee	Concealed Spline	Tape and Spackle	With	Without	1/2"	9/16"	3/4"	1-1/8"	1-13/16"
XG-6600-11-1	X							X				X	
XG-6600-12-1	X						X					X	
XG-6600-10-6		X						X				X	
XG-6600-12-6		X					X					X	
XG-6600-20-6		X						X			X		
XG-6600-22-6		X					X				X		
XG-6600-22-73					X			X			X		
XG-6600-22-74					X			X			X		
XG-6600-22-75					X			X			X		
XG-6600-30-6		X						X	X				
XG-6600-32-6		X					X		X				
XG-6600-40-7					X			X		X			
XG-6600-40-8			X					X		X			
XG-6600-40-9				X				X		X			
XG-6600-42-7					X		X			X			
XG-6600-42-8			X				X			X			
XG-6600-42-9				X			X			X			
XG-6600-50-1						X		X					X
XG-6600-52-1						X	X						X

Border Types – Dimensional Drawings

Surface Mount

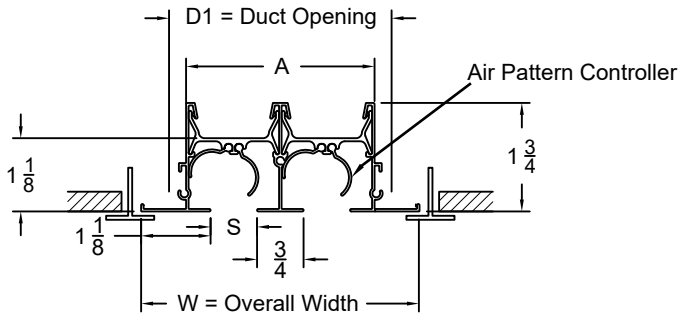


XG-6600-11-1 (No Hardware)

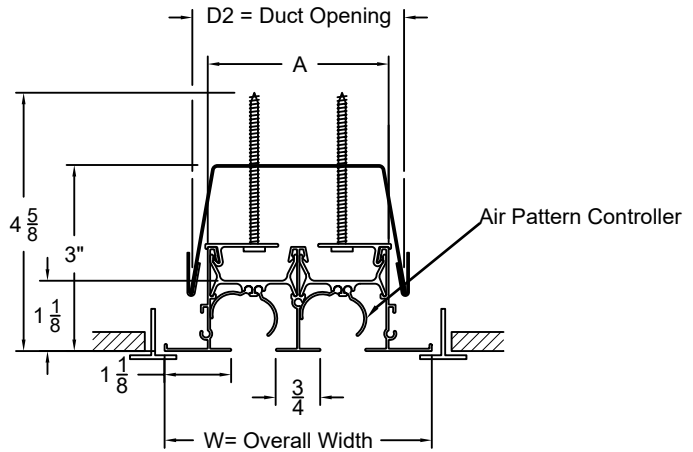


XG-6600-12-1 (With Hardware)

Lay-In Mount – 1-1/8" Border

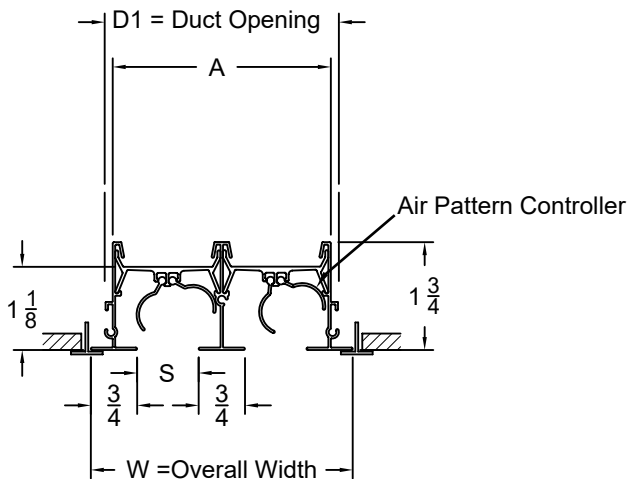


XG-6600-10-6 (No Hardware)

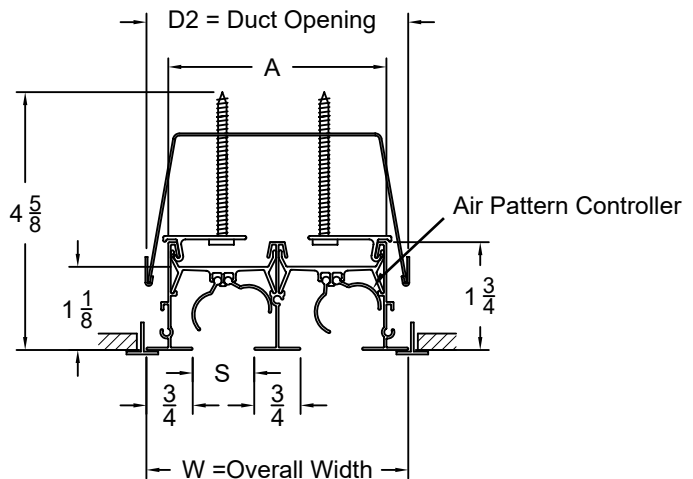


XG-6600-12-6 (With Hardware)

Lay-In Mount – 3/4" Border

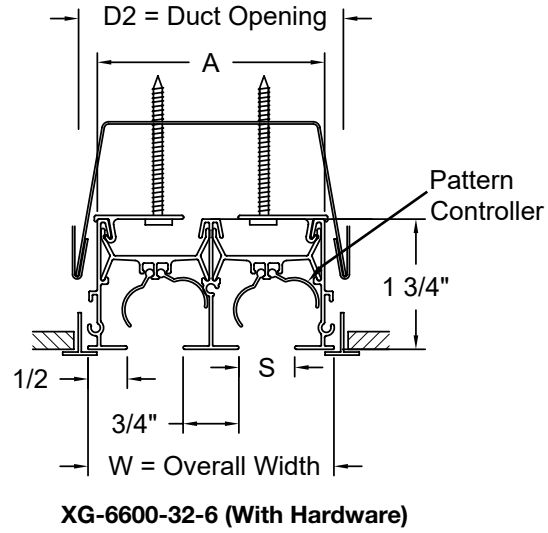
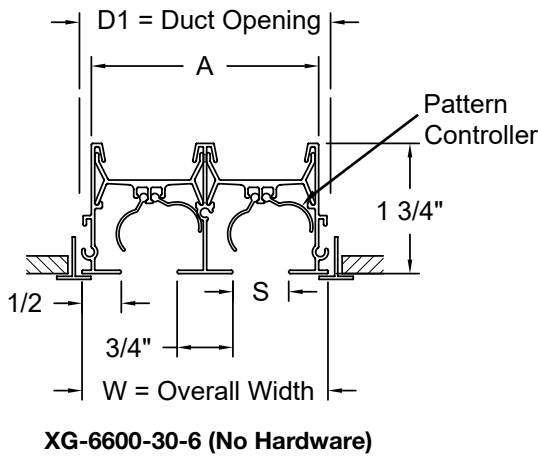


XG-6600-20-6 (No Hardware)

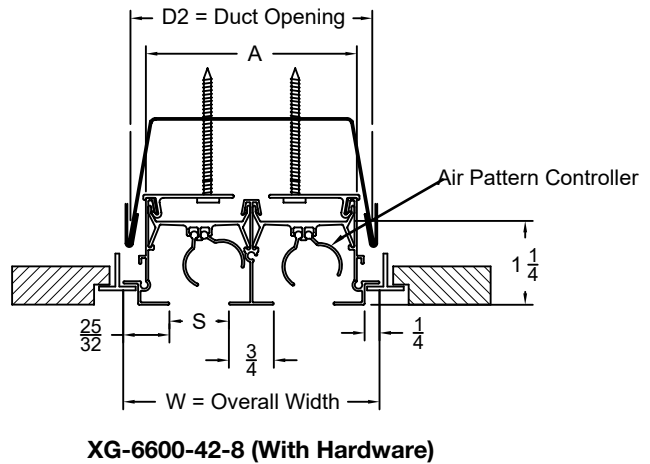
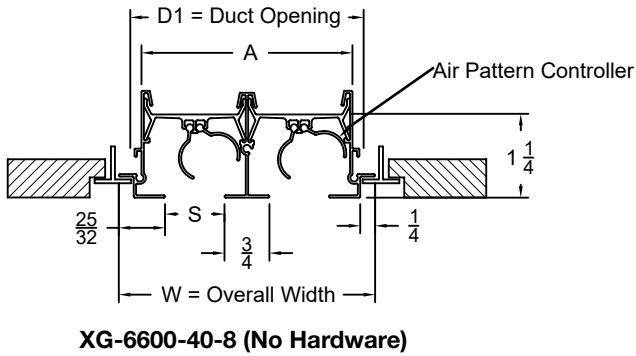


XG-6600-22-6 (With Hardware)

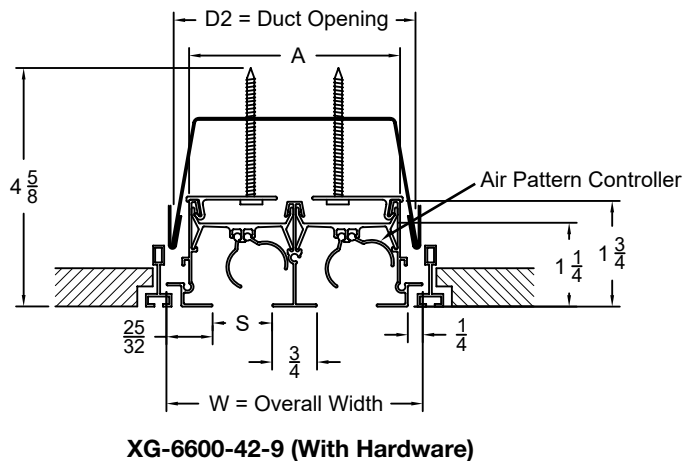
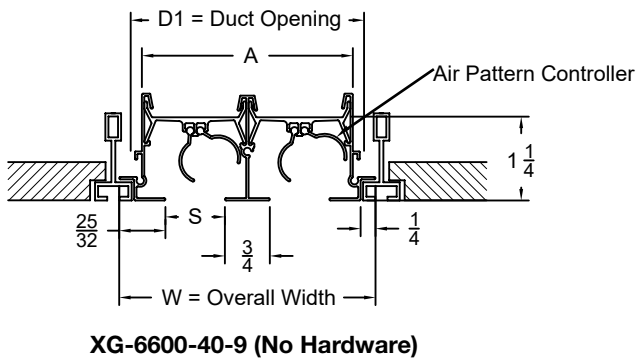
Lay-In Mount – 1/2”



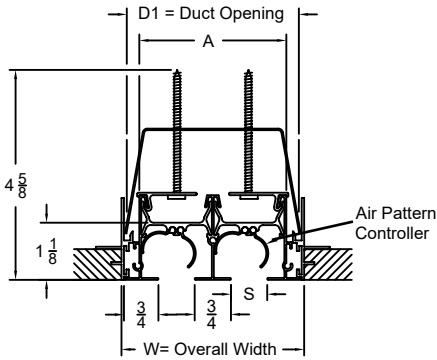
Lay-In Mount – 9/16” Border Drop Face



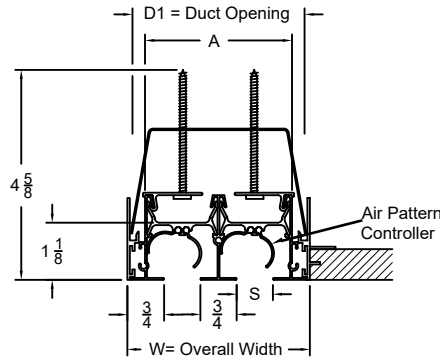
Lay-In Mount – 9/16” Border Narrow Tee



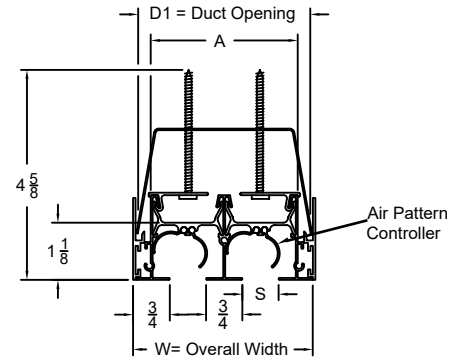
Concealed Spline Mount – 3/4” Border



XG-6600-22-73 (Plaster Both Sides)

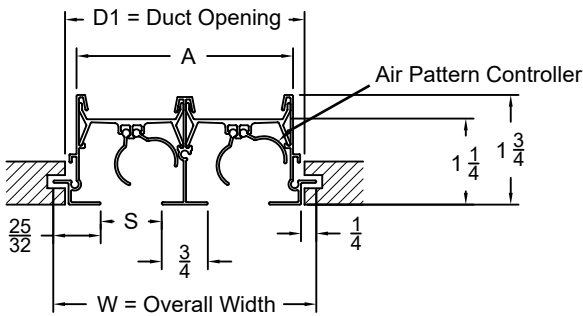


XG-6600-22-74 (Plaster / Wall Frame)

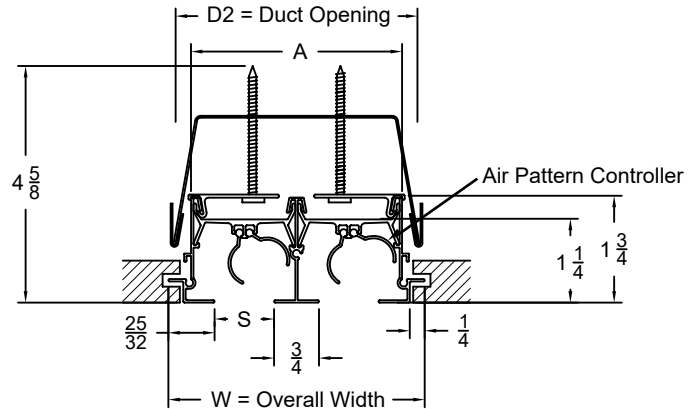


XG-6600-22-75 (Wall Frame)

Concealed Spline Mount – 9/16” Border

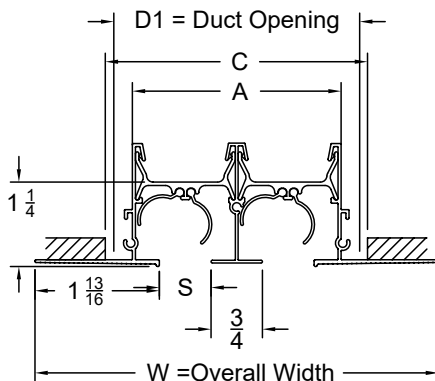


XG-6600-40-7 (No Hardware)

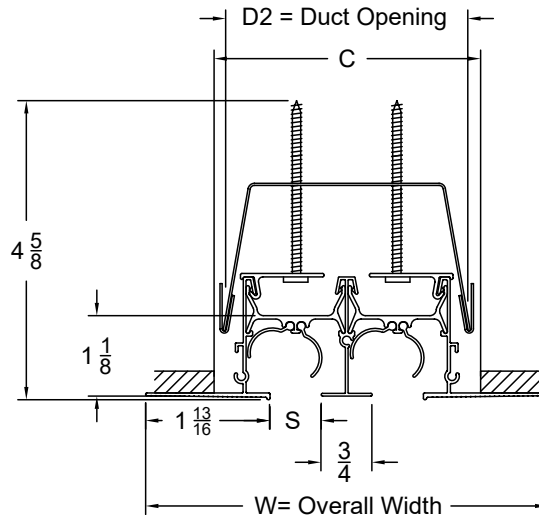


XG-6600-42-7 (With Hardware)

Tape and Spackle (Mud-In) Mount



XG-6600-50-1 (No Hardware)



XG-6600-52-1 (With Hardware)