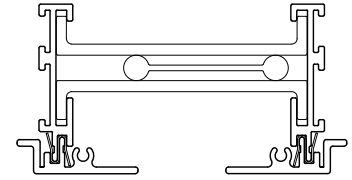
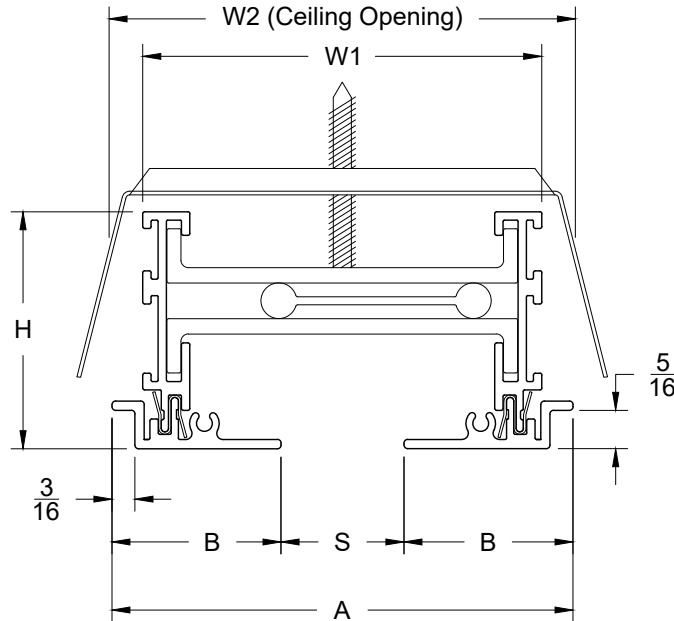
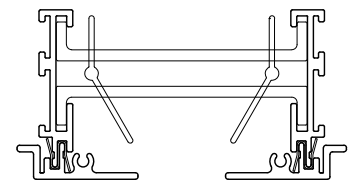


Model: XG-AFLC-TZ4 4" Tech Zone - Concealed Mount - T-Bar Lay-in - Exposed Face

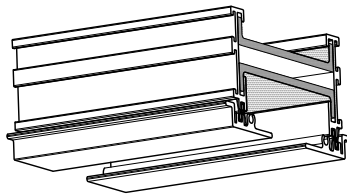
XG-AFLC-TZ4 - T-Bar Lay-in - Exposed Face



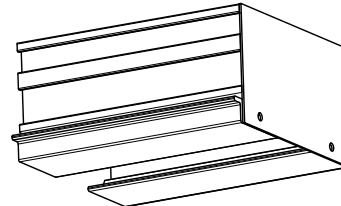
Standard Blade



Combo Blades



Open End



End Cap

XG-AFLC-TZ - 1 Slot						
Model	Face	TZ Face	Height	Slot	Neck	
	A	B	H	S	W1	W2
XG-AFLC-TZ4	3 3/4	1 3/16	1 15/16	1	3 1/4	3 3/4

1. Available Finishes

Standard Finish:
20 - White Face and Black Interior
Optional Finish
02 - Satin Silver Face and Black Interior
03 - Black Face and Black Interior
28 - Custom Face Color and Black Interior

2. Available Accessories

3. Available Options

1EC - (1) End Cap
2EC - (2) End Cap
OO - Open / Open

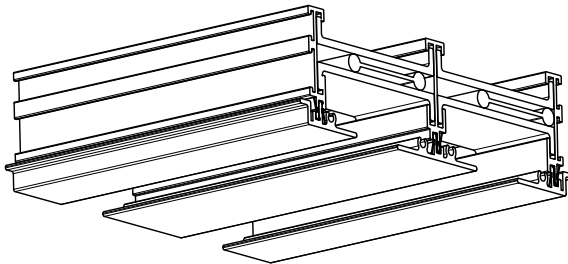
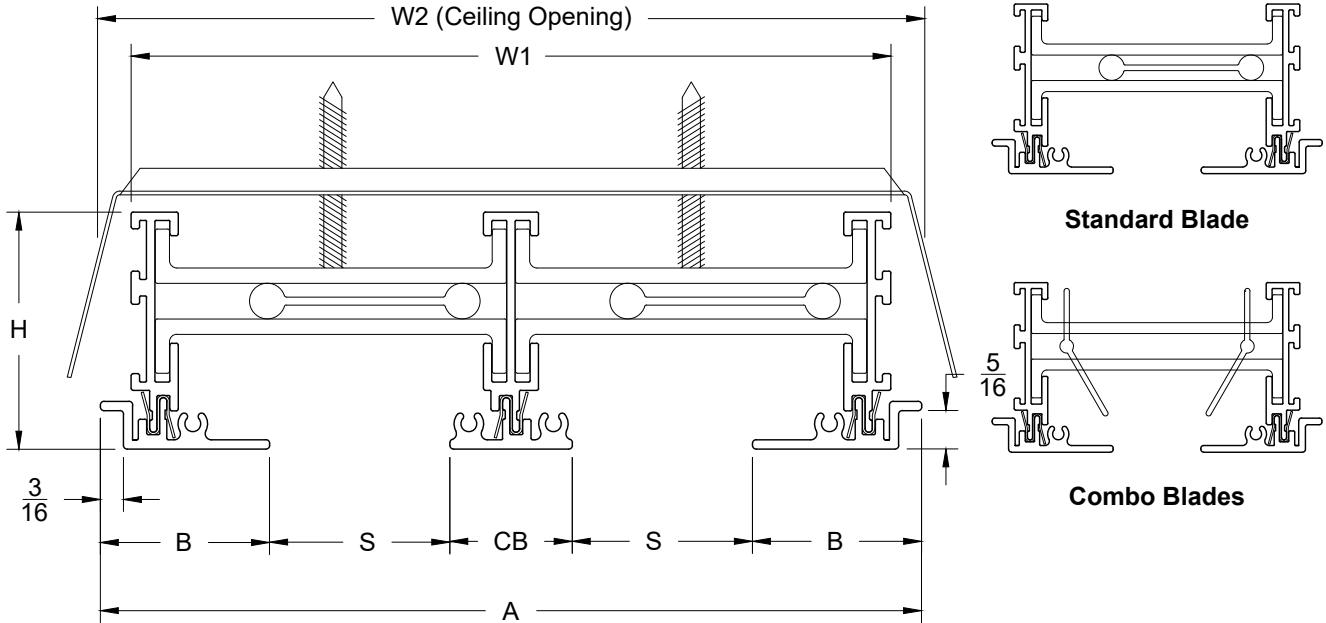
4. Construction Details

- Material Extruded Aluminum
- C - Combo Pattern Controller
- S - Standard Pattern Controller
- Standard Single Section Size: (12" minimum - 96" maximum)
- Lengths larger than 96" made in multiple sections

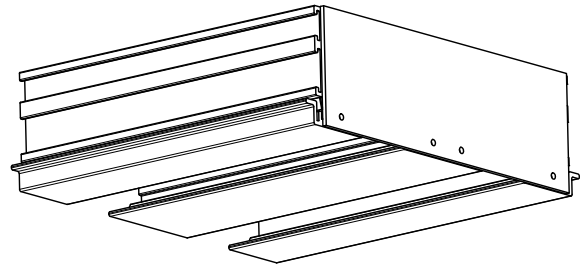
All Dimensions ±1/16"

Model: XG-AFLC-TZ6 6" Tech Zone - Concealed Mount - T-Bar Lay-in - Exposed Face

XG-AFLC-TZ6 - T-Bar Lay-in - Exposed Face



Open End



End Cap

XG-AFLC-TZ - 2 Slot							
Model	Face	TZ Face	Center	Height	Slot	Neck	
	A	B	CB	H	S	W1	W2
XG-AFLC-TZ6	5 3/4	1 3/16	1	1 15/16	1	5 1/4	5 3/4

1. Available Finishes	2. Available Accessories	3. Available Options	4. Construction Details
<p>Standard Finish:</p> <ul style="list-style-type: none"> 20 - White Face and Black Interior <p>Optional Finish</p> <ul style="list-style-type: none"> 02 - Satin Silver Face and Black Interior 03 - Black Face and Black Interior 28 - Custom Face Color and Black Interior 		<ul style="list-style-type: none"> 1EC - (1) End Cap 2EC - (2) End Cap OO - Open / Open 	<ul style="list-style-type: none"> Material Extruded Aluminum C - Combo Pattern Controller S - Standard Pattern Controller Standard Single Section Size: (12" minimum - 96" maximum) Lengths larger than 96" made in multiple sections

All Dimensions ±1/16"