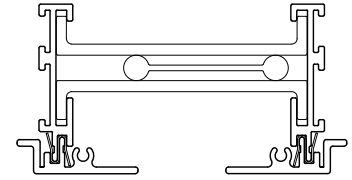
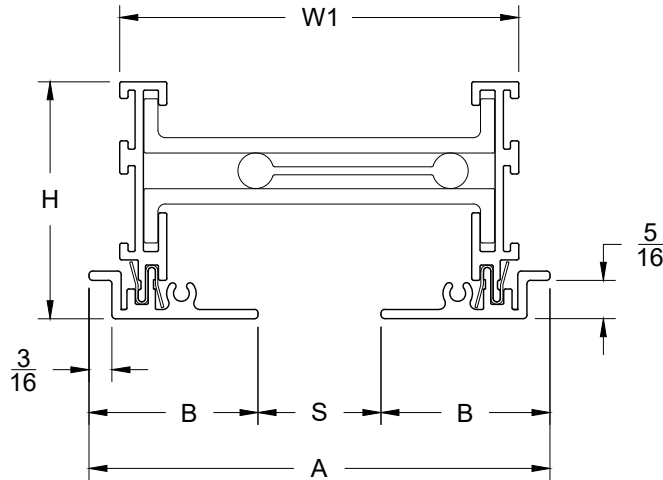
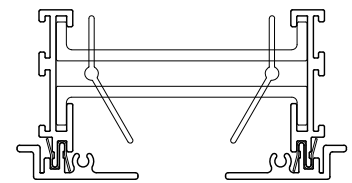


Model: XG-AFL-TZ4      4" Tech Zone - T-Bar Lay-in - Exposed Face

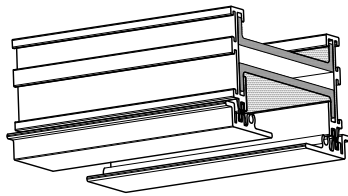
**XG-AFL-TZ4 - T-Bar Lay-in - Exposed Face**



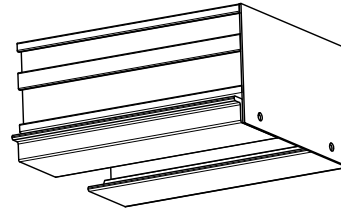
**Standard Blade**



**Combo Blades**



**Open End**



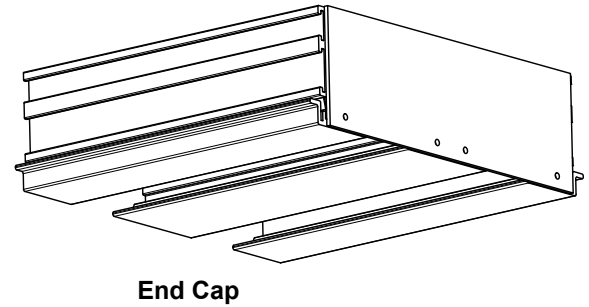
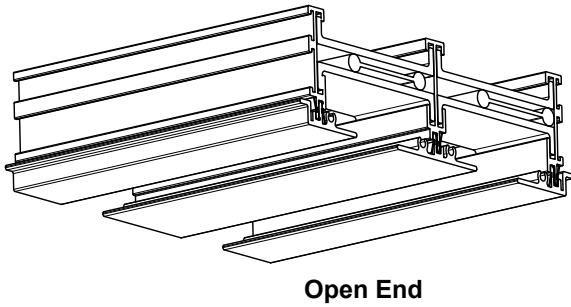
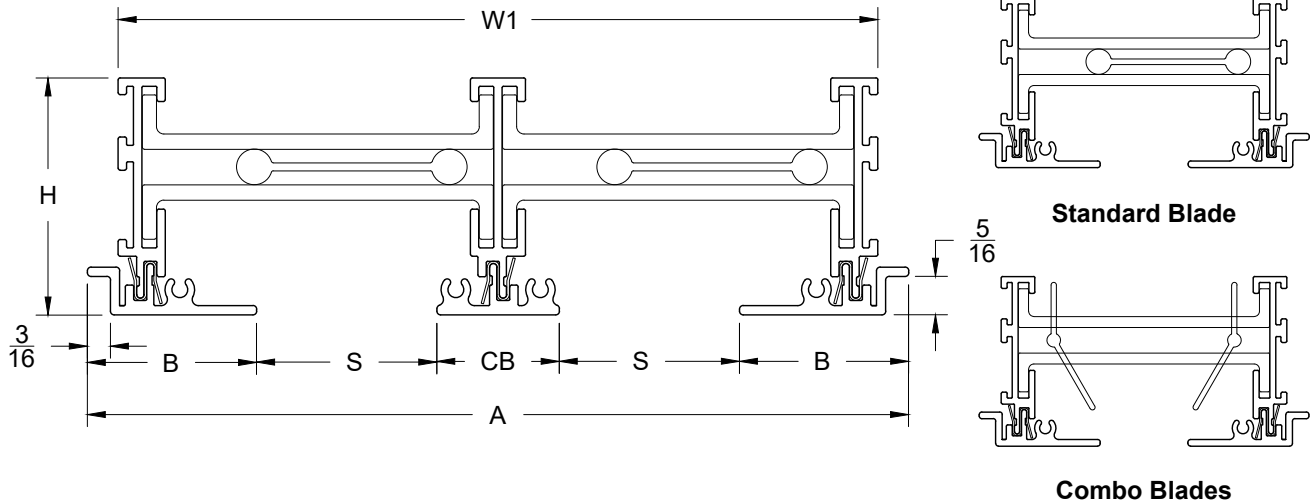
**End Cap**

XG-AFL-TZ - 1 Slot					
Model	Face	TZ Face	Height	Slot	Neck
	A	B	H	S	W1
XG-AFL-TZ4	3 3/4	1 3/16	1 15/16	1	3 1/4

1. Available Finishes	2. Available Accessories	3. Available Options	4. Construction Details
Standard Finish: 20 - White Face and Black Interior Optional Finish 02 - Satin Silver Face and Black Interior 03 - Black Face and Black Interior 28 - Custom Face Color and Black Interior			<ul style="list-style-type: none"> <li>•</li> <li>•</li> <li>•</li> <li>•</li> <li>•</li> </ul> <p style="text-align: right;">All Dimensions ±1/16"</p>

Model: XG-AFL-TZ6      6" Tech Zone - T-Bar Lay-in - Exposed Face

### XG-AFL-TZ6 - T-Bar Lay-in - Exposed Face



XG-AFL-TZ - 2 Slot						
Model	Face	TZ Face	Center	Height	Slot	Neck
	A	B	CB	H	S	W1
XG-AFL-TZ6	5 3/4	1 3/16	1	1 15/16	1	5 1/4

<p>Standard Finish: 20 - White Face and Black Interior</p> <p>Optional Finish 02 - Satin Silver Face and Black Interior 03 - Black Face and Black Interior 28 - Custom Face Color and Black Interior</p>	<p>1EC - (1) End Cap 2EC - (2) End Caps 1EB - (1) End Border 2EB - (2) End Borders OO - Open / Open MM - Mitered / Mitered MO - Mitered / Open</p>	<ul style="list-style-type: none"> <li>• Material Extruded Aluminum</li> <li>• C - Combo Pattern Controller</li> <li>• S - Standard Pattern Controller</li> <li>• Standard Single Section size: (12" minimum - 96" maximum)</li> <li>• Lengths larger than 96" made in multiple sections</li> </ul>
--	--	---