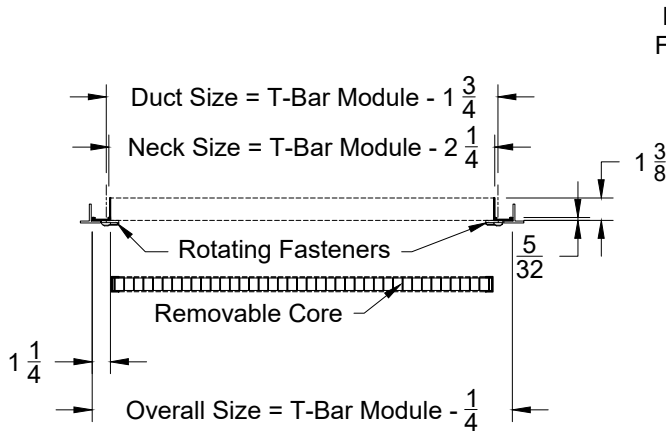
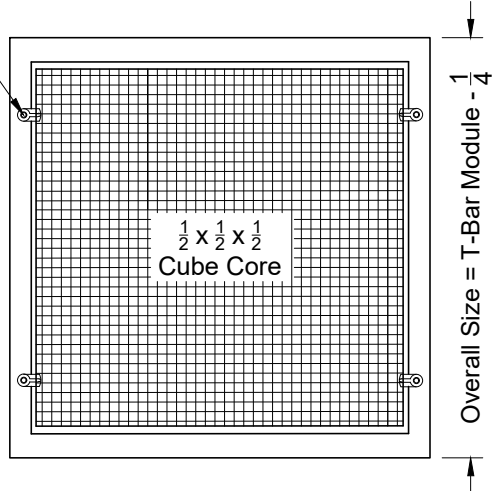


Model: XG-CC5R-6 Cubed Core 1/2"x1/2"x1/2" - T-Bar Lay-In

XG-CC5R-6 - T-Bar Lay-In



Face View



Note: This product complies with NFPA 90A-18 standard 4.3.7.3.2 and 4.3.8.3.2 and is constructed with openings through which a 1/2" sphere can not pass.

1. Available Finishes	2. Available Accessories	3. Available Options	4. Construction Details
Standard Finish: 01 White Finish 24 Mill Finish Optional Finish 02 Satin Silver 03 Black 28 Custom Color	XG-TBPF - T-Bar Plaster Frame	CM - Concealed Mount	<ul style="list-style-type: none"> Largest single section is 48x48
All Dimensions $\pm 1/16$ "			