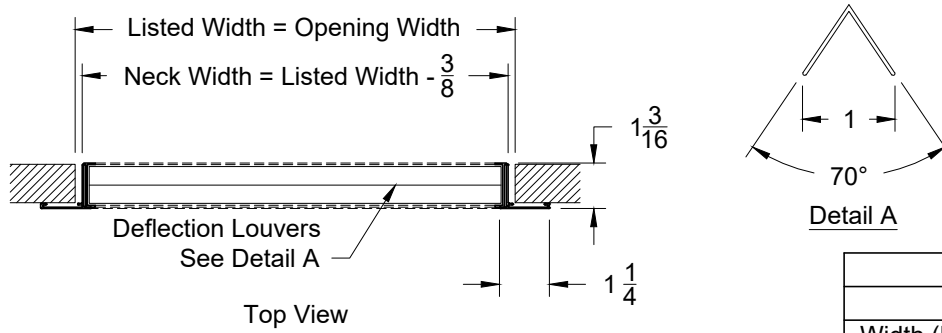
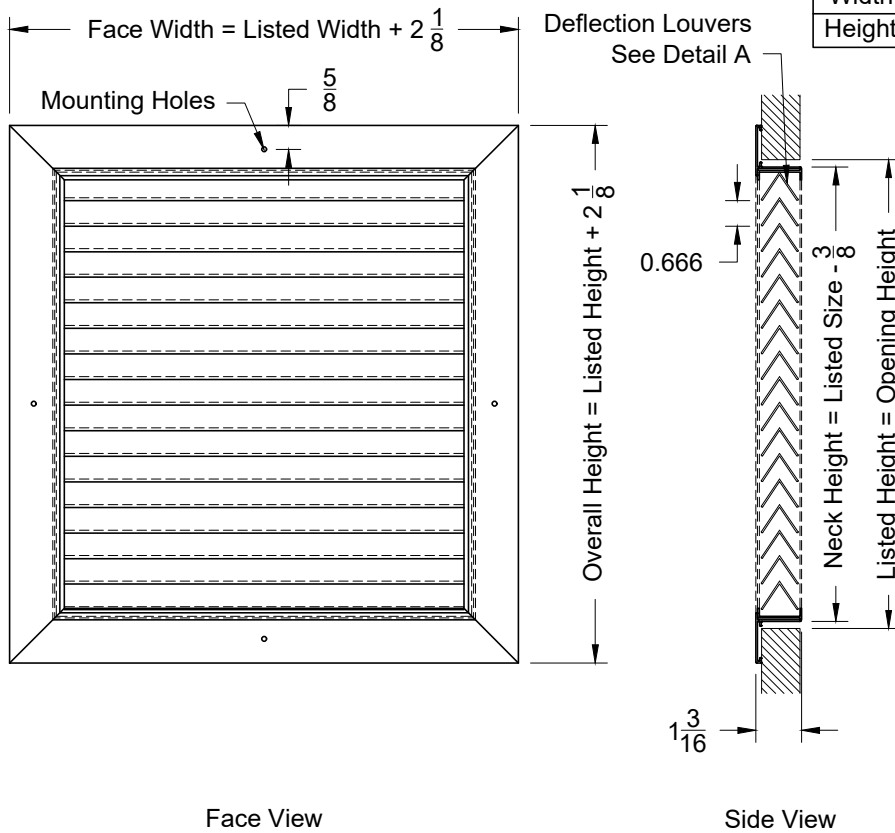


Model: XG-DGSF Single Flange Frame - Surface Mount

XG-DGSF - Surface Mount



Available Sizes		
	Min	Max
Width (Neck 1)	6	48
Height (Neck 2)	4	36



1. Available Finishes	2. Available Accessories	3. Available Options	4. Construction Details
Standard Finish: 01 White Finish 24 Mill Finish Optional Finish 02 Satin Silver 03 Black 28 Custom Color			<ul style="list-style-type: none"> Extruded Aluminum Construction

All Dimensions ±1/16"