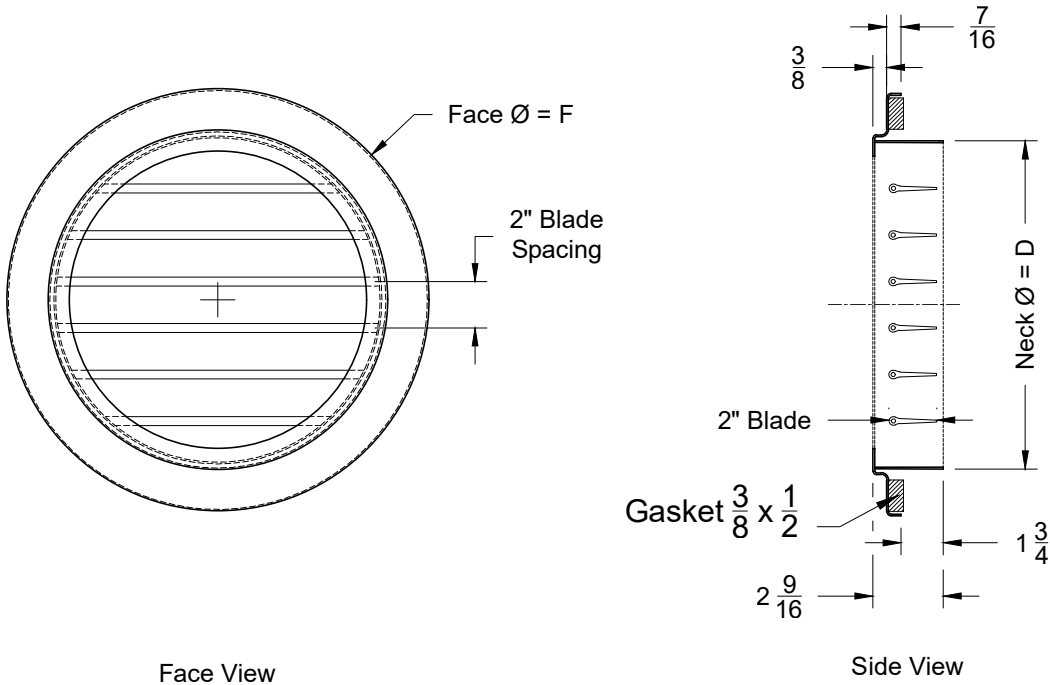


Model: XG-MRSDW Adjustable Single Deflection Blades Wide Spacing - Flush Surface Mount

**XG-MRSDW - Flush Surface Mount**



Round Neck Ø	Neck Ø	Face Ø
C	D	F
6	5 5/8	8-5/16
8	7 5/8	10 -5/16
10	9 5/8	12-5/16
12	11 5/8	14-5/16
14	13 5/8	16-5/16
16	15 5/8	18-5/16
18	17 5/8	20-5/16
20	19 5/8	22-5/16
22	21 5/8	24-5/16
24	23 5/8	26-5/16

1. Available Finishes	2. Available Accessories	3. Available Options	4. Construction Details
Standard Finish: 01 White Optional Finish: 02 Satin Silver 03 Black 24 Mill Finish 28 Custom Color	XG-BDS - Butterfly Damper	FDMR - Flex Duct Mounting Ring	<ul style="list-style-type: none"> <li>● Heavy Gage Aluminum</li> <li>● Blades Mounted Horizontal</li> <li>● 2" Extruded Airfoil Blades on 2" Centers</li> <li>● Foam Gasket</li> <li>● Concealed Mounting System (Mounting Screws Included)</li> </ul>

All Dimensions ±1/16"