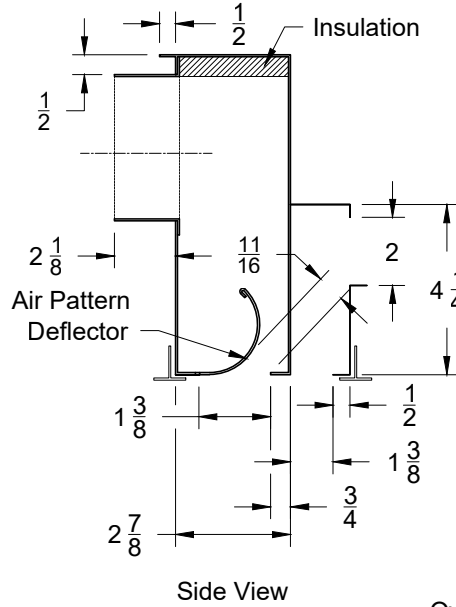
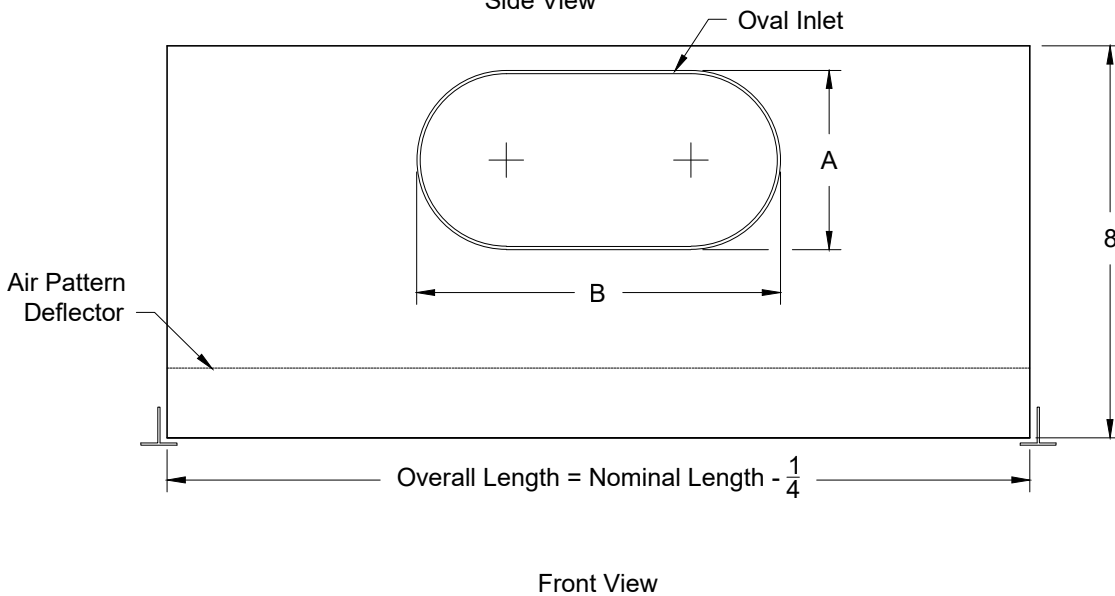


Model: XG-PHCRI-6 Return - One Slot - Insulated - Lay In T-Bar

XG-PHCRI-6 - Lay In T-Bar



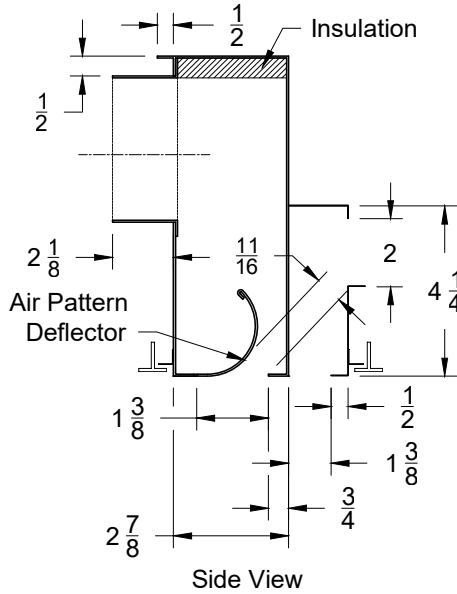
Inlet Chart			
Size	Type	A	B
6	Round	3 15/16	7 1/8
8	Oval	3 15/16	10 3/8
10	Oval	3 15/16	13 3/8
12	Oval	3 15/16	16 3/8
14	Oval	3 15/16	19 3/8



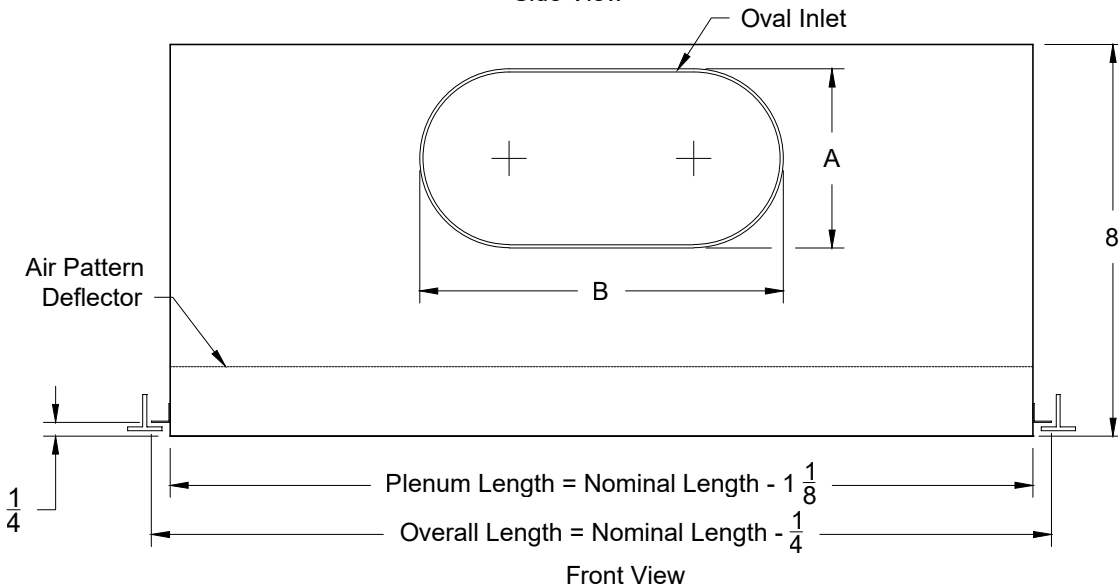
1. Available Finishes	2. Available Accessories	3. Available Options	4. Construction Details
Standard Finish: 27 - All Black	XG-ROD - Remote Operated Damper XG-LQ - Locking Quadrant	CC - 1/2" Closed Cell Insulation	<ul style="list-style-type: none"> Aluminum Construction Nominal lengths available: 24, 36, 48, 60
All Dimensions ±1/16"			

Model: XG-PHCRI-8 Return - One Slot - Insulated - Tegular T-Bar

XG-PHCRI-8 - Tegular T-Bar



Inlet Chart			
Size	Type	A	B
6	Round	3 15/16	7 1/8
8	Oval	3 15/16	10 3/8
10	Oval	3 15/16	13 3/8
12	Oval	3 15/16	16 3/8
14	Oval	3 15/16	19 3/8

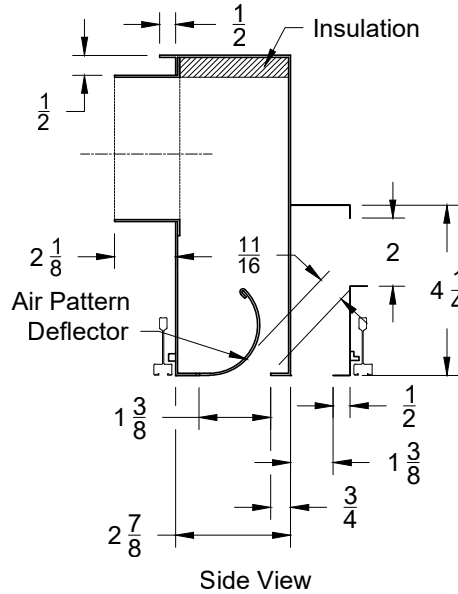


1. Available Finishes	2. Available Accessories	3. Available Options	4. Construction Details
Standard Finish: 27 - All Black	XG-ROD - Remote Operated Damper XG-LQ - Locking Quadrant	CC - 1/2" Closed Cell Insulation	<ul style="list-style-type: none"> Aluminum Construction Nominal lengths available: 24, 36, 48, 60

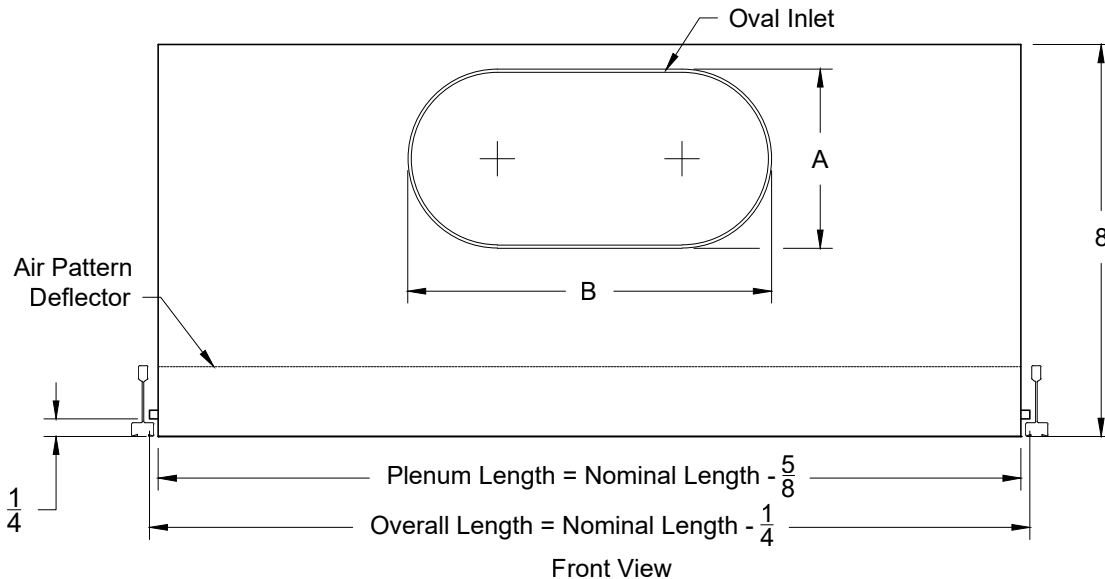
All Dimensions ±1/16"

Model: XG-PHCRI-9 Return - One Slot - Insulated - Bolt Slot

XG-PHCRI-9 - Bolt Slot



Inlet Chart			
Size	Type	A	B
6	Round	3 15/16	7 1/8
8	Oval	3 15/16	10 3/8
10	Oval	3 15/16	13 3/8
12	Oval	3 15/16	16 3/8
14	Oval	3 15/16	19 3/8



1. Available Finishes	2. Available Accessories	3. Available Options	4. Construction Details
Standard Finish: 27 - All Black	XG-ROD - Remote Operated Damper XG-LQ - Locking Quadrant	CC - 1/2" Closed Cell Insulation	<ul style="list-style-type: none"> Aluminum Construction Nominal lengths available: 24, 36, 48, 60

All Dimensions ±1/16"