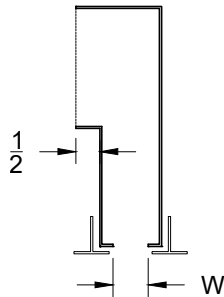
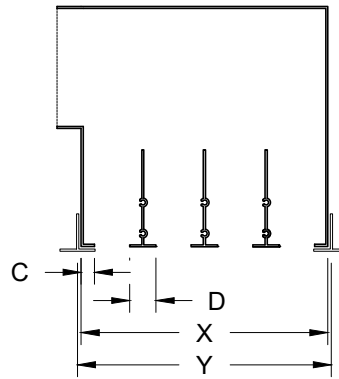


Model: XG-PHPR-6      Return - Non Insulated - Lay In T-Bar

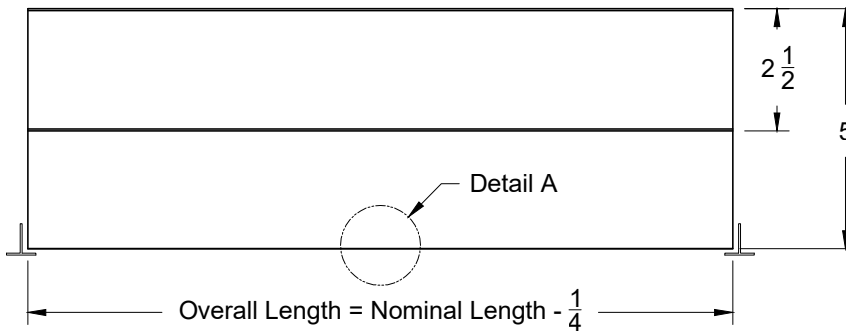
### XG-PHPR-6 - Lay in T-Bar Return



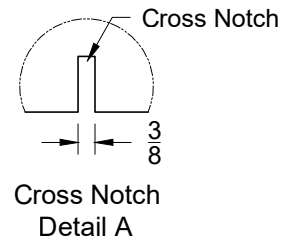
1 - Slot



4 - Slot



Front View



Cross Notch  
Detail A

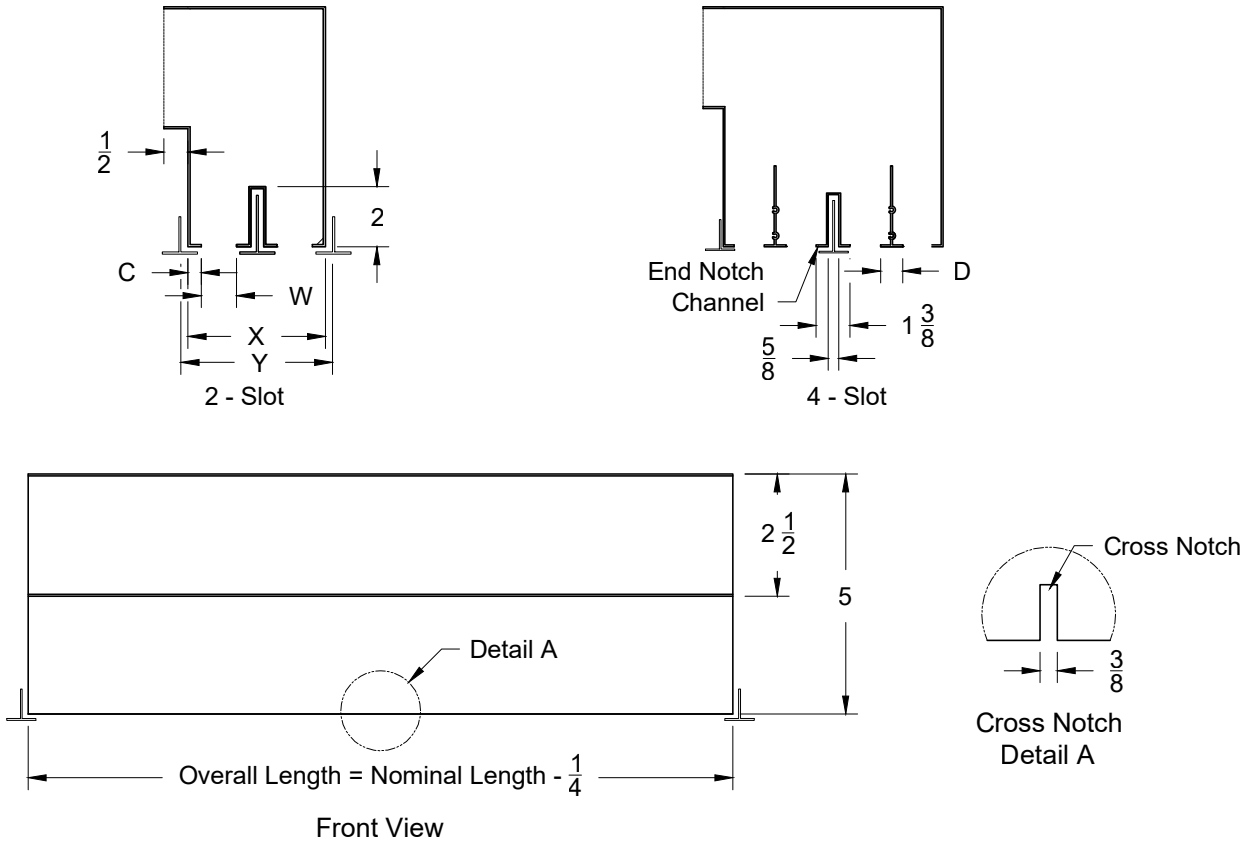
MODELS	Slot (W)	1 Slot		2 Slot		3 Slot		4 Slot		Flange C	Center Tee D
		X	Y	X	Y	X	Y	X	Y		
XG-PHPR-50-6	1/2	1 1/2	1 3/4	3	3 1/4	4 1/2	4 3/4	6	6 1/4	1/2	3/4
XG-PHPR-75-6	3/4	1 3/4	2	3 1/2	3 3/4	5 1/4	5 1/2	7	7 1/4	1/2	3/4
XG-PHPR-10-6	1	2	2 1/4	4	4 1/4	6	6 1/4	8	8 1/4	1/2	3/4
XG-PHPR-15-6	1 1/2	2 1/2	2 3/4	5	5 1/4	7 1/2	7 3/4	10	10 1/4	1/2	3/4

1. Available Finishes	2. Available Accessories	3. Available Options	4. Construction Details
Standard Finish: 25 - White Tee/Black 26 - All White 27 - All Black	XG-TBPF - T-Bar Plaster Frame	T-O - One Tee, Inlet Side O-T - One Tee, Opposite Side T-T - Two Tees, Both Sides C-O - One Clip, Inlet Side O-C - One Clip, Opposite Side C-C - Two Clip, Both Sides C-T - Clip Inlet, Tee Opposite T-C - Tee Inlet, Clip Opposite CN - Cross Notch	<ul style="list-style-type: none"> <li>• Cross Notch: Available for 48" Only</li> <li>• Split Deflector, only available for the 36", 48" and 60" Units</li> <li>• Nominal lengths available: 24, 36, 48, 60</li> <li>• Available: 1, 2, 3 or 4 Slots</li> <li>• Steel Construction with Extruded Aluminum T-Bar</li> </ul>

All Dimensions ±1/16"

Model: XG-PHPR-6 EN Return - Non Insulated - Lay In T-Bar - End Notch

## XG-PHPR-6 EN - Lay In T-Bar - End Notch



MODELS	Slot (W)	2 Slot with End Notch		4 Slot with End Notch		Flange C	Center Tee D
		X	Y	X	Y		
Return							
XG-PHPR-50-6 EN	1/2	3 3/8	3 3/4	7 1/8	7 1/2	1/2	3/4
XG-PHPR-75-6 EN	3/4	3 7/8	4 1/4	8 1/8	8 1/2	1/2	3/4
XG-PHPR-10-6 EN	1	4 3/8	5	9 1/8	9 3/4	1/2	3/4
XG-PHPR-15-6 EN	1 1/2	5 3/8	6	11 1/8	11 3/4	1/2	3/4

### 1. Available Finishes

Standard Finish:  
25 - White Tee/Black  
26 - All White  
27 - All Black

### 2. Available Accessories

XG-TBPF - T-Bar Plaster Frame

### 3. Available Options

T-O - One Tee, Inlet Side  
O-T - One Tee, Opposite Side  
T-T - Two Tees, Both Sides  
C-O - One Clip, Inlet Side  
O-C - One Clip, Opposite Side  
C-C - Two Clip, Both Sides  
C-T - Clip Inlet, Tee Opposite  
T-C - Tee Inlet, Clip Opposite  
CN - Cross Notch

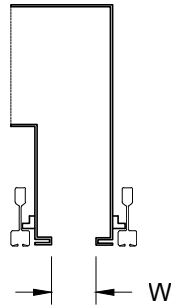
### 4. Construction Details

- Cross Notch:  
Available for 48" Only
- Split Deflector, only available for the 36", 48" and 60" Units
- Nominal lengths available:  
24, 36, 48, 60
- Available: 1, 2, 3 or 4 Slots
- Steel Construction with Extruded Aluminum T-Bar

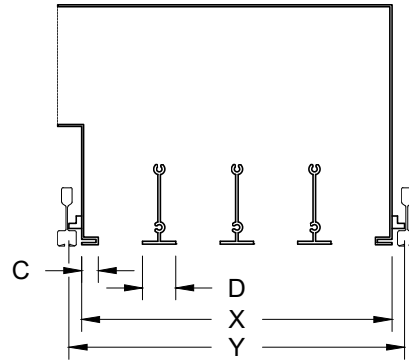
All Dimensions ±1/16"

Model: XG-PHPR-9 Return - Non Insulated - Bolt Slot

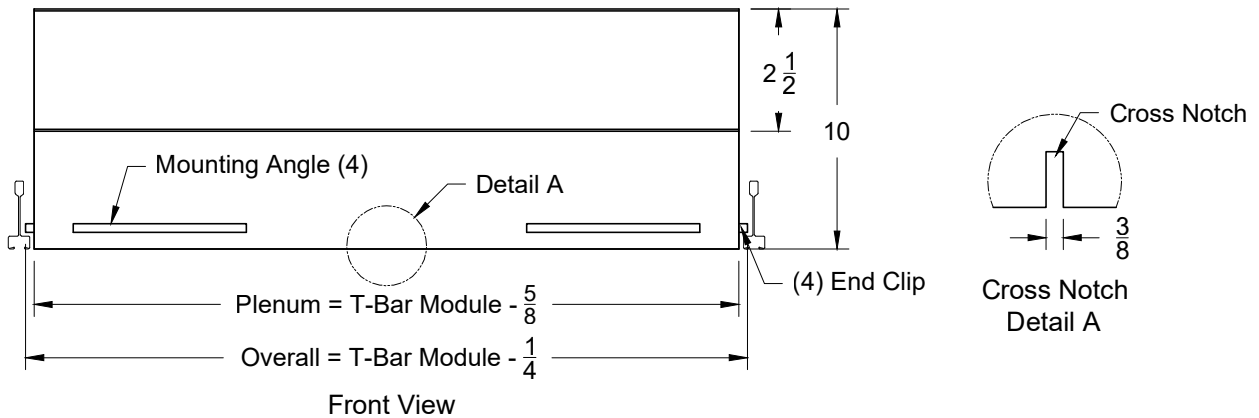
## XG-PHPR-9 - Bolt Slot



1 Slot



2, 3 & 4 Slots



MODELS	W	1 Slots		2 Slots		3 Slots		4 Slots		Flange C	Center Tee D
		X	Y	X	Y	X	Y	X	Y		
Return											
XG-PHPR-75-9	3/4	1 3/4"	2 3/8"	3 1/2"	4 1/8"	5 1/4"	5 7/8"	7"	7 5/8"	1/2	3/4
XG-PHPR-10-9	1	2"	2 5/8"	4"	4 5/8"	6"	6 5/8"	8"	8 5/8"	1/2	3/4
XG-PHPR-15-9	1 1/2"	2 1/2"	3 1/8"	5"	5 5/8"	7 1/2"	8 1/8"	10"	10 5/8"	1/2	3/4

### 1. Available Finishes

Standard Finish:  
25 - White Tee/Black  
26 - All White  
27 - All Black

### 2. Available Accessories

XG-TBPF - T-Bar Plaster Frame

### 3. Available Options

CN - Cross Notch

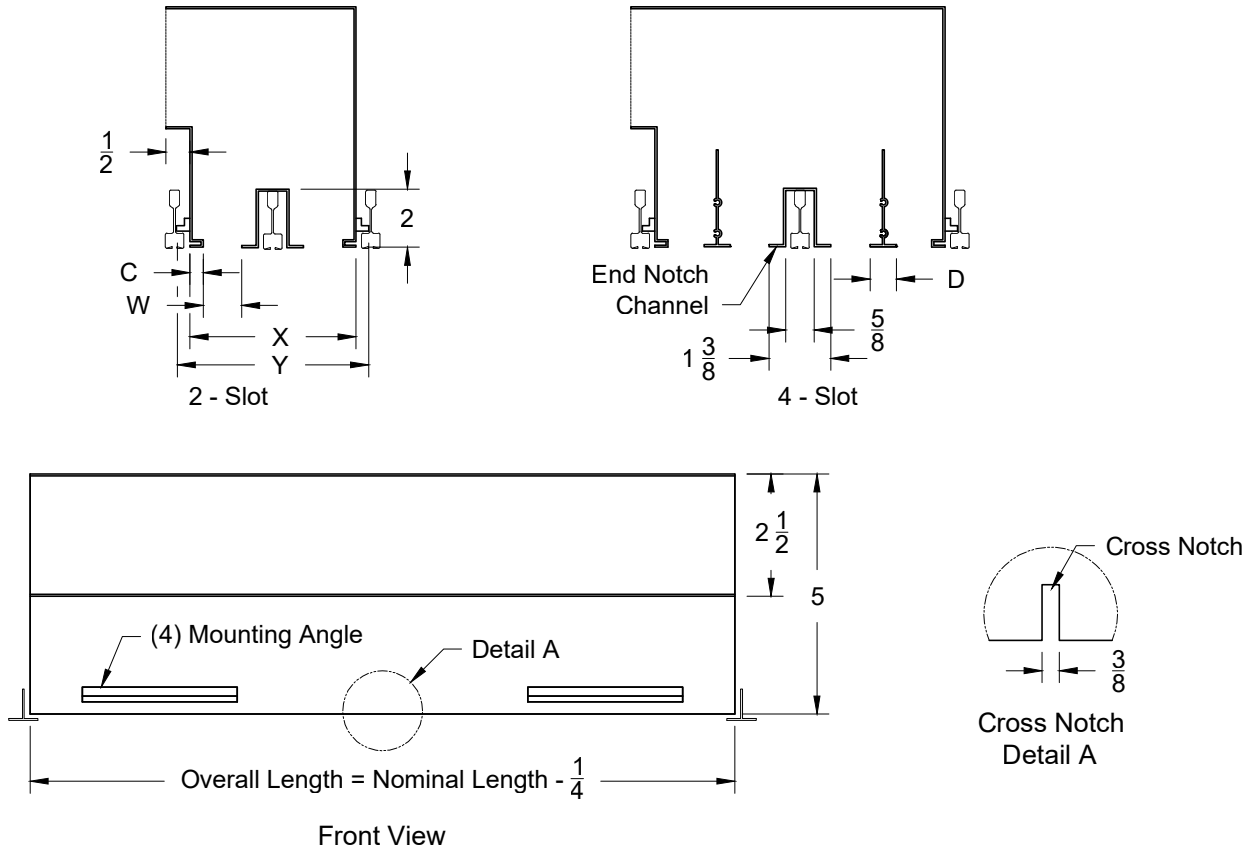
### 4. Construction Details

- Cross Notch:  
Available for 48" Only
- Split Deflector, only available for the 36", 48" and 60" Units
- Nominal lengths available:  
24, 36, 48, 60
- Available: 1, 2, 3 or 4 Slots
- Steel Construction with Extruded Aluminum T-Bar

All Dimensions ±1/16"

Model: XG-PHPR-9 EN Return - Non Insulated - Bolt Slot - End Notch

### XG-PHPR-9 EN - Bolt Slot - End Notch



MODELS	W	2 Slots with End Notch		4 Slots with End Notch		Flange C	Center Tee D
		X	Y	X	Y		
Return							
XG-PHPR-75-9	3/4	3 7/8"	4 1/4"	8 1/8"	8 1/2"	1/2	3/4
XG-PHPR-10-9	1	4 3/8"	5"	9 1/8"	9 3/4"	1/2	3/4
XG-PHPR-15-9	1 1/2"	5 3/8"	6"	11 1/8"	11 3/4"	1/2	3/4

1. Available Finishes	2. Available Accessories	3. Available Options	4. Construction Details
Standard Finish: 25 - White Tee/Black 26 - All White 27 - All Black	XG-TBPF - T-Bar Plaster Frame	CN - Cross Notch	<ul style="list-style-type: none"> <li>• Cross Notch: Available for 48" Only</li> <li>• Split Deflector, only available for the 36", 48" and 60" Units</li> <li>• Nominal lengths available: 24, 36, 48, 60</li> <li>• Available: 1, 2, 3 or 4 Slots</li> <li>• Steel Construction with Extruded Aluminum T-Bar</li> </ul>

All Dimensions ±1/16"