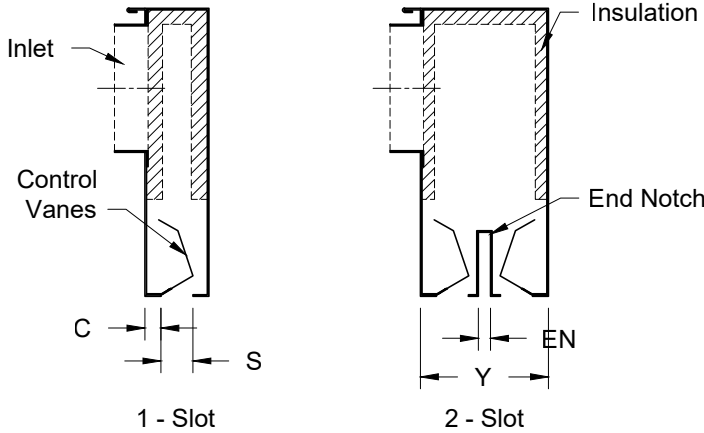
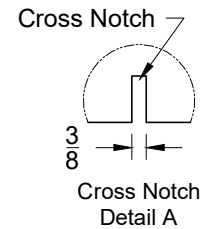
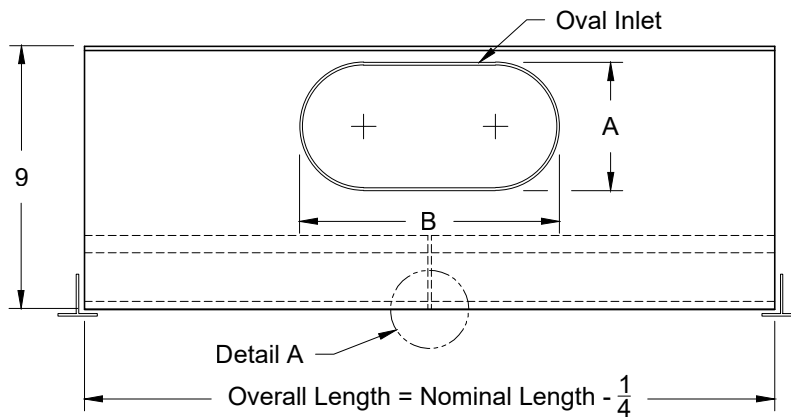


Model: XG-PHPSI-E-6    Supply - One or Two Slot - Insulated - End Notch - Lay In T-Bar

### XG-PHPSI-E-6 - Lay In T-Bar - End Notch



Inlet Chart			
Size	Type	A	B
5	Oval	3 15/16	5 3/8
6	Oval	3 15/16	7 1/8
7	Oval	3 15/16	8 1/2
8	Oval	3 15/16	10 3/8
10	Oval	3 15/16	13 3/8
12	Oval	3 15/16	16 3/8



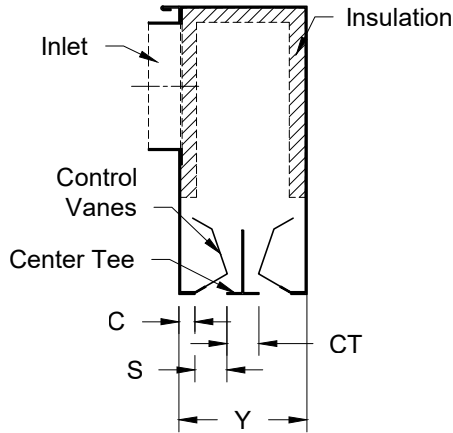
Front View

MODELS	Slots	Flange	Unit Width	Slot	End Notch	Center Tee
Supply		C	Y	S	EN	CT
XG-PHPSI-E-6	1	1/2	2	1	N/A	N/A
XG-PHPSI-E-6	2	1/2	4	1	5/8	N/A

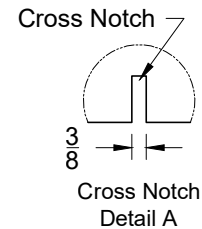
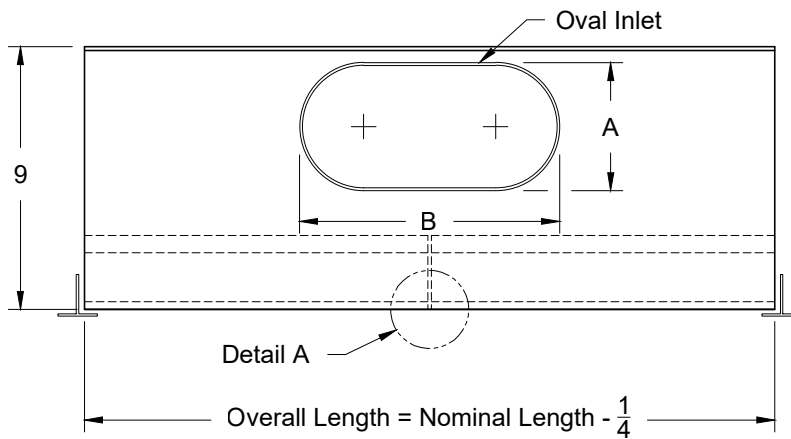
1. Available Finishes	2. Available Accessories	3. Available Options	4. Construction Details
Standard Finish: 25 - White Tee/Black 26 - All White 27 - All Black	XG-TBPF - T-Bar Plaster Frame XG-ID - Quadrant Inlet Damper XG-ROD - Remote Operated Damper	T-O - One Tee, Inlet Side O-T - One Tee, Opposite Side T-T - Two Tees, Both Sides C-O - One Clip, Inlet Side O-C - One Clip, Opposite Side C-C - Two Clip, Both Sides CN - Cross Notch NB - No Blades VI - Vanes Installed CC - 1/2" Closed Cell Insulation EI - 1/2" External Fiberglass Insulation	<ul style="list-style-type: none"> <li>• Cross Notch: Available for 48" Only</li> <li>• Split Deflector, only available for the 36", 48" and 60" Units</li> <li>• Nominal lengths available: 24, 36, 48, 60</li> <li>• Available: 1, 2, 3 or 4 Slots</li> <li>• Galvanized Steel Construction</li> </ul> <p style="text-align: right;">All Dimensions ±1/16"</p>

Model: XG-PHPSI-E-6    Supply - Two Slot - Center Tee - Insulated - Lay In T-Bar

### XG-PHPSI-E-6 - Lay In T-Bar Center Tee



Inlet Chart			
Size	Type	A	B
5	Oval	3 15/16	5 3/8
6	Oval	3 15/16	7 1/8
7	Oval	3 15/16	8 1/2
8	Oval	3 15/16	10 3/8
10	Oval	3 15/16	13 3/8
12	Oval	3 15/16	16 3/8



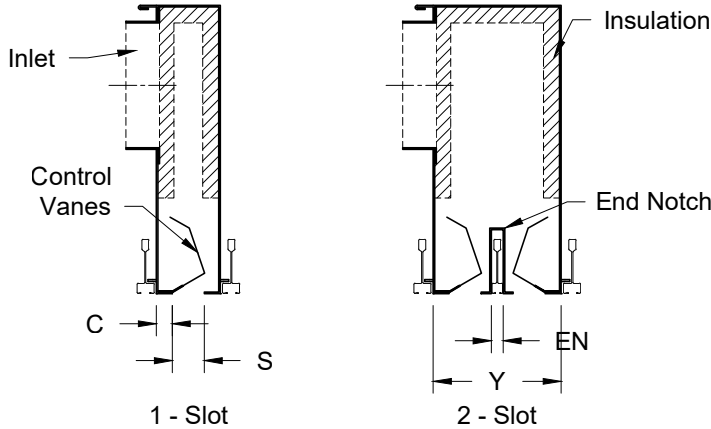
Front View

MODELS	Slots	Flange	Unit Width	Slot	End Notch	Center Tee
Supply		C	Y	S	EN	CT
XG-PHPSI-E-6-CT	2	1/2	4	1	N/A	1

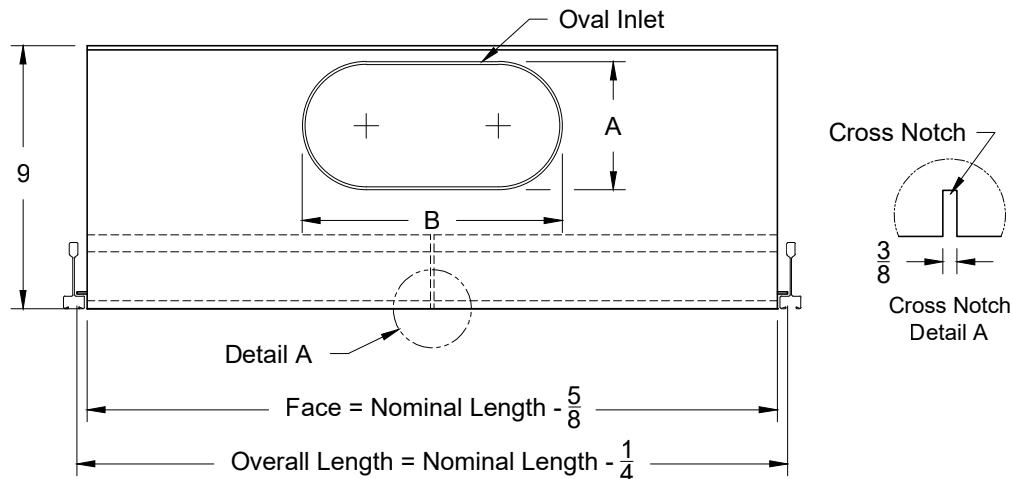
1. Available Finishes	2. Available Accessories	3. Available Options	4. Construction Details
Standard Finish: 25 - White Tee/Black 26 - All White 27 - All Black	XG-TBPF - T-Bar Plaster Frame XG-ID - Quadrant Inlet Damper XG-ROD - Remote Operated Damper	T-O - One Tee, Inlet Side O-T - One Tee, Opposite Side T-T - Two Tees, Both Sides C-O - One Clip, Inlet Side O-C - One Clip, Opposite Side C-C - Two Clip, Both Sides CN - Cross Notch NB - No Blades VI - Vanes Installed CC - 1/2" Closed Cell Insulation EI - 1/2" External Fiberglass Insulation	<ul style="list-style-type: none"> <li>● Cross Notch: Available for 48" Only</li> <li>● Split Deflector, only available for the 36", 48" and 60" Units</li> <li>● Nominal lengths available: 24, 36, 48, 60</li> <li>● Available: 1, 2, 3 or 4 Slots</li> <li>● Galvanized Steel Construction</li> </ul> <p style="text-align: right;">All Dimensions ±1/16"</p>

Model: XG-PHPSI-E-9 Supply - One or Two Slot - Insulated - End Notch - Bolt Slot

### XG-PHPSI-E-9 - Bolt Slot - End Notch



Inlet Chart			
Size	Type	A	B
5	Oval	3 15/16	5 3/8
6	Oval	3 15/16	7 1/8
7	Oval	3 15/16	8 1/2
8	Oval	3 15/16	10 3/8
10	Oval	3 15/16	13 3/8
12	Oval	3 15/16	16 3/8



Front View

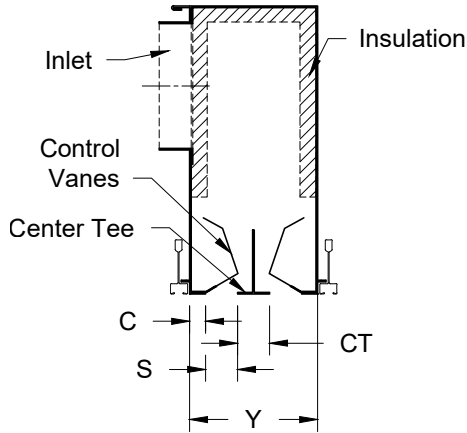
MODELS	Slots	Flange	Unit Width	Slot	End Notch	Center Tee
Supply		C	Y	S	EN	CT
XG-PHPSI-E-9	1	1/2	2	1	N/A	N/A
XG-PHPSI-E-9	2	1/2	4	1	5/8	N/A

1. Available Finishes	2. Available Accessories	3. Available Options	4. Construction Details
Standard Finish: 25 - White Tee/Black 26 - All White 27 - All Black	XG-ID - Quadrant Inlet Damper XG-ROD - Remote Operated Damper	C-O - One Clip, Inlet Side O-C - One Clip, Opposite Side C-C - Two Clip, Both Sides CN - Cross Notch NB - No Blades VI - Vanes Installed CC - 1/2" Closed Cell Insulation EI - 1/2" External Fiberglass Insulation	<ul style="list-style-type: none"> <li>• Cross Notch: Available for 48" Only</li> <li>• Split Deflector, only available for the 36", 48" and 60" Units</li> <li>• Nominal lengths available: 24, 36, 48, 60</li> <li>• Available: 1, 2, 3 or 4 Slots</li> <li>• Galvanized Steel Construction</li> </ul>

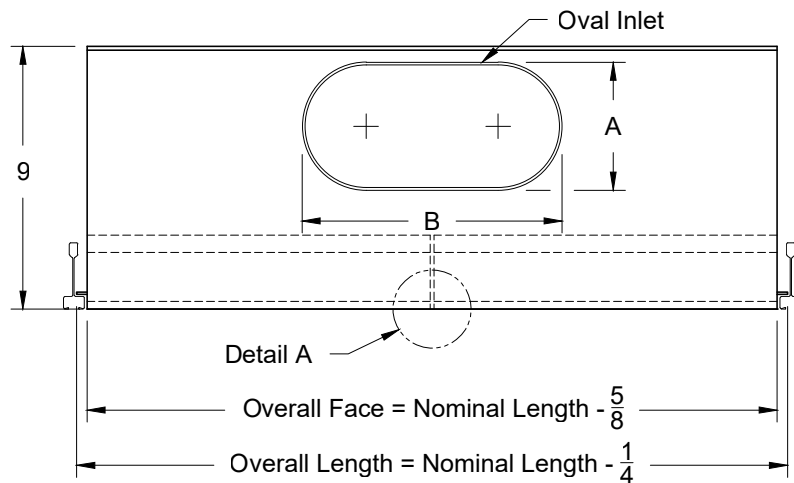
All Dimensions ±1/16"

Model: XG-PHPSI-E-9 Supply - Two Slot - Insulated - Center Notch - Bolt Slot

### XG-PHPSI-E-9 - Bolt Slot - Center Notch



Inlet Chart			
Size	Type	A	B
5	Oval	3 15/16	5 3/8
6	Oval	3 15/16	7 1/8
7	Oval	3 15/16	8 1/2
8	Oval	3 15/16	10 3/8
10	Oval	3 15/16	13 3/8
12	Oval	3 15/16	16 3/8



Front View

MODELS	Slots	Flange	Unit Width	Slot	End Notch	Center Tee
Supply		C	Y	S	EN	CT
XG-PHPSI-E-9-CT	2	1/2	4	1	N/A	1

1. Available Finishes	2. Available Accessories	3. Available Options	4. Construction Details
Standard Finish: 25 - White Tee/Black 26 - All White 27 - All Black	XG-ID - Quadrant Inlet Damper XG-ROD - Remote Operated Damper	C-O - One Clip, Inlet Side O-C - One Clip, Opposite Side C-C - Two Clip, Both Sides CN - Cross Notch NB - No Blades VI - Vanes Installed CC - 1/2" Closed Cell Insulation EI - 1/2" External Fiberglass Insulation	<ul style="list-style-type: none"> <li>• Cross Notch: Available for 48" Only</li> <li>• Split Deflector, only available for the 36", 48" and 60" Units</li> <li>• Nominal lengths available: 24, 36, 48, 60</li> <li>• Available: 1, 2, 3 or 4 Slots</li> <li>• Galvanized Steel Construction</li> </ul>

All Dimensions ±1/16"