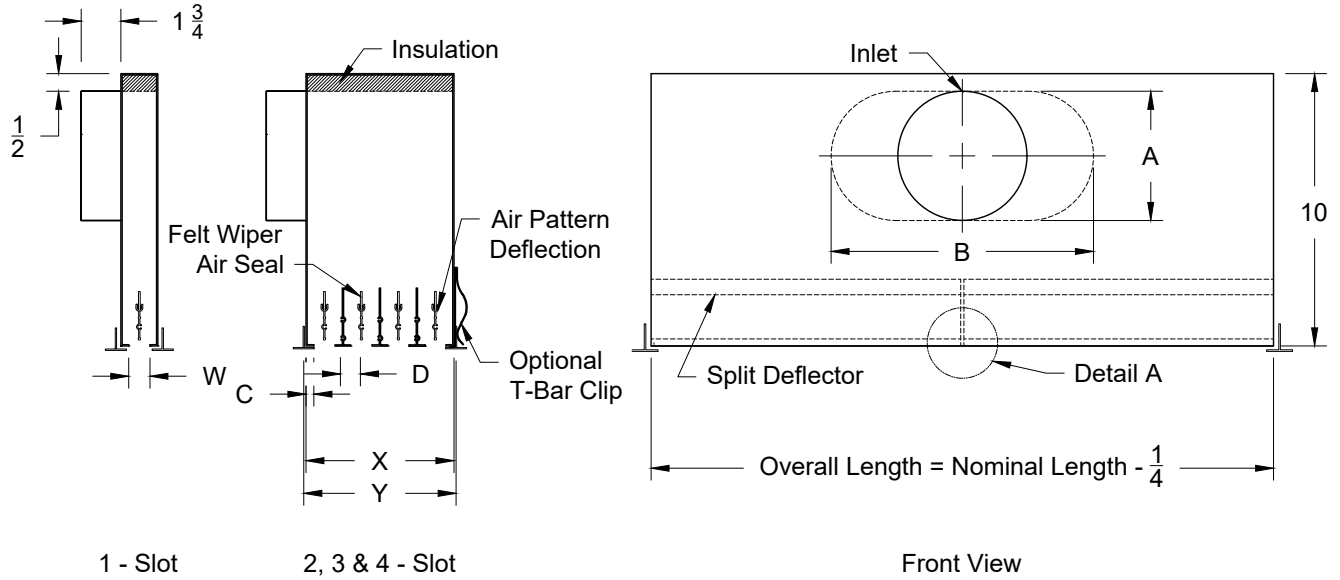
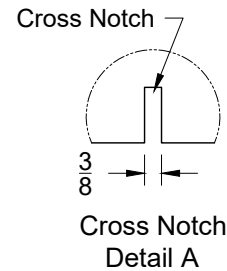


Model: XG-PHPSI-6 Supply - Insulated - Lay In T-Bar

XG-PHPSI-6 - Lay In T-Bar



Inlet Chart			
Size	Type	A	B
6	Round	5 7/8	
8	Oval	5 7/8	8 15/16
10	Oval	5 7/8	12 1/16
12	Oval	5 7/8	15 1/4
14	Oval	5 7/8	18 7/16

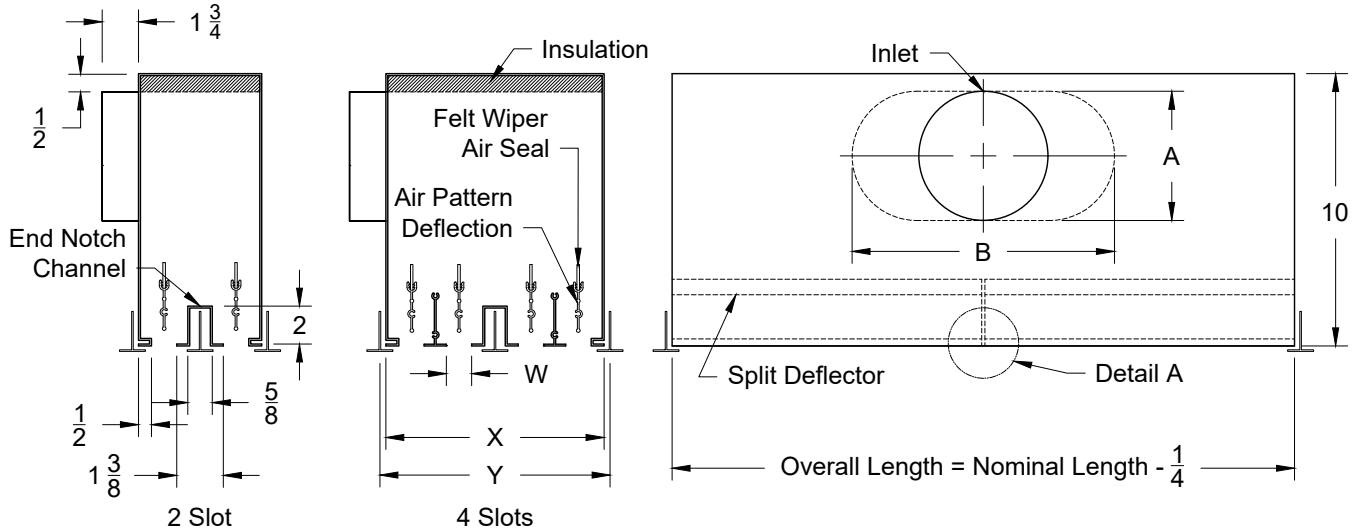


MODELS	Slot (W)	1 Slot		2 Slot		3 Slot		4 Slot		Flange C	Center Tee D
		X	Y	X	Y	X	Y	X	Y		
XG-PHPSI-50-6	1/2	1 1/2	1 3/4	3	3 1/4	4 1/2	4 3/4	6	6 1/4	1/2	3/4
XG-PHPSI-75-6	3/4	1 3/4	2	3 1/2	3 3/4	5 1/4	5 1/2	7	7 1/4	1/2	3/4
XG-PHPSI-10-6	1	2	2 1/4	4	4 1/4	6	6 1/4	8	8 1/4	1/2	3/4
XG-PHPSI-15-6	1 1/2	2 1/2	2 3/4	5	5 1/4	7 1/2	7 3/4	10	10 1/4	1/2	3/4

1. Available Finishes	2. Available Accessories	3. Available Options	4. Construction Details
Standard Finish: 25 - White Tee/Black 26 - All White 27 - All Black	XG-ID - Quadrant Inlet Damper XG-LQ - Locking Quadrant Damper XG-ROD - Remote Operated Damper XG-TBPF - T-Bar Plaster Frame 3. Available Options CC - 1/2" Closed Cell Insulation EI - 1/2" External Fiberglass Insulation	T-O - One Tee, Inlet Side O-T - One Tee, Opposite Side T-T - Two Tees, Both Sides C-O - One Clip, Inlet Side O-C - One Clip, Opposite Side C-C - Two Clip, Both Sides C-T - Clip Inlet, Tee Opposite T-C - Tee Inlet, Clip Opposite CN - Cross Notch NB - No Blades	<ul style="list-style-type: none"> ● Cross Notch: Available for 48" Only ● Split Deflector, only available for the 36", 48" and 60" Units ● Nominal lengths available: 24, 36, 48, 60 ● Available: 1, 2, 3 or 4 Slots ● Steel Construction with Extruded Aluminum Tee's and Pattern Controller's All Dimensions ±1/16"

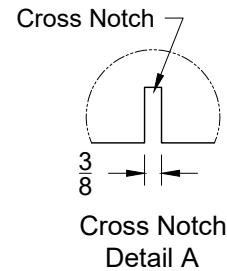
Model: XG-PHPSI-6 EN Supply - Insulated - Lay In T-Bar - End Notch

XG-PHPSI-6 - Lay In T-Bar - End Notch



Front View

Inlet Chart			
Size	Type	A	B
6	Round	5 7/8	
8	Oval	5 7/8	8 15/16
10	Oval	5 7/8	12 1/16
12	Oval	5 7/8	15 1/4
14	Oval	5 7/8	18 7/16

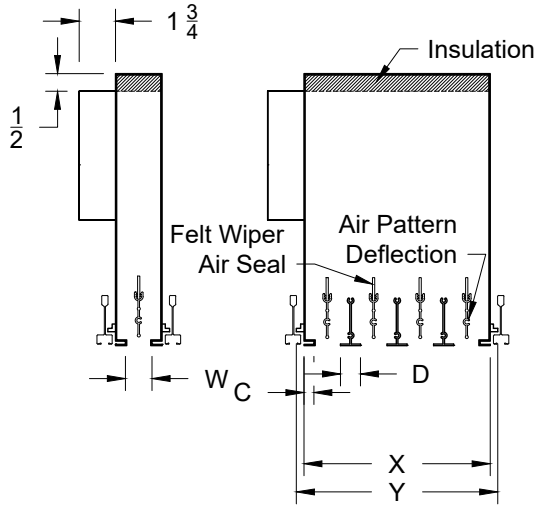


MODELS	Slot (W)	2 Slot with End Notch		4 Slot with End Notch		Flange C	Center Tee D
		X	Y	X	Y		
XG-PHPSI-50-6 EN	1/2	3 3/8	3 3/4	7 1/8	7 1/2	1/2	3/4
XG-PHPSI-75-6 EN	3/4	3 7/8	4 1/4	8 1/8	8 1/2	1/2	3/4
XG-PHPSI-10-6 EN	1	4 3/8	5	9 1/8	9 3/4	1/2	3/4
XG-PHPSI-15-6 EN	1 1/2	5 3/8	6	11 1/8	11 3/4	1/2	3/4

1. Available Finishes	2. Available Accessories	3. Available Options	4. Construction Details
Standard Finish: 25 - White Tee/Black 26 - All White 27 - All Black	XG-ID - Quadrant Inlet Damper XG-LQ - Locking Quadrant Damper XG-ROD - Remote Operated Damper XG-TBPF - T-Bar Plaster Frame 3. Available Options CC - 1/2" Closed Cell Insulation EI - 1/2" External Fiberglass Insulation	T-O - One Tee, Inlet Side O-T - One Tee, Opposite Side T-T - Two Tees, Both Sides C-O - One Clip, Inlet Side O-C - One Clip, Opposite Side C-C - Two Clip, Both Sides C-T - Clip Inlet, Tee Opposite T-C - Tee Inlet, Clip Opposite CN - Cross Notch NB - No Blades	<ul style="list-style-type: none"> ● Cross Notch: Available for 48" Only ● Split Deflector, only available for the 36", 48" and 60" Units ● Nominal lengths available: 24, 36, 48, 60 ● Available: 1, 2, 3 or 4 Slots ● Steel Construction with Extruded Aluminum Tee's and Pattern Controller's All Dimensions ±1/16"

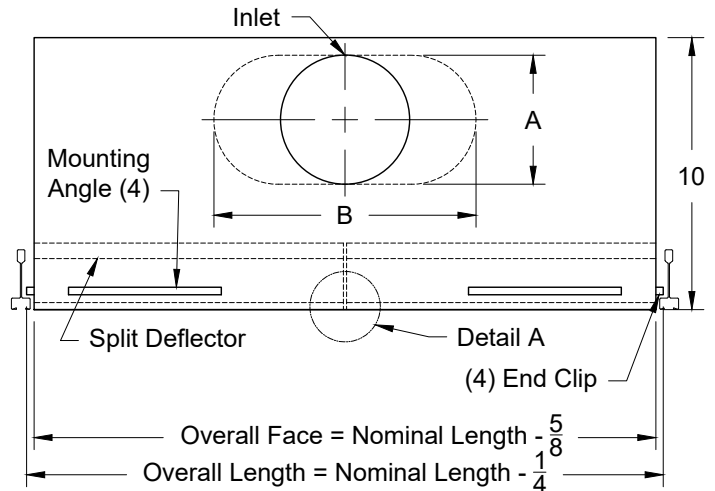
Model: XG-PHPSI-9 Supply - Insulated - Bolt Slot

XG-PHPSI-9 - Bolt Slot



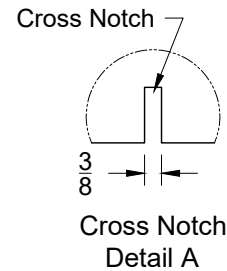
1 Slot

2, 3 & 4 Slots



Front View

Inlet Chart			
Size	Type	A	B
6	Round	5 7/8	
8	Oval	5 7/8	8 15/16
10	Oval	5 7/8	12 1/16
12	Oval	5 7/8	15 1/4
14	Oval	5 7/8	18 7/16

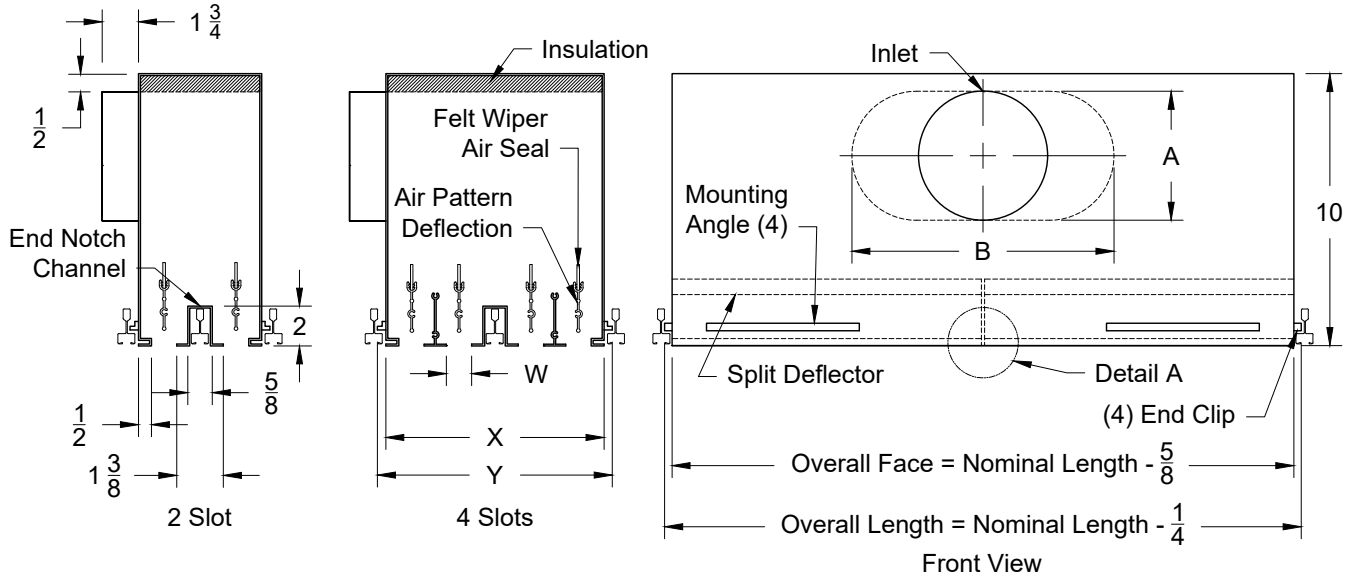


MODELS	W	1 Slots		2 Slots		3 Slots		4 Slots		Flange	Center Tee
		X	Y	X	Y	X	Y	X	Y		
XG-PHPSI-75-9	3/4	1 3/4"	2 3/8"	3 1/2"	4 1/8"	5 1/4"	5 7/8"	7"	7 5/8"	1/2	3/4
XG-PHPSI-10-9	1	2"	2 5/8"	4"	4 5/8"	6"	6 5/8"	8"	8 5/8"	1/2	3/4
XG-PHPSI-15-9	1 1/2"	2 1/2"	3 1/8"	5"	5 5/8"	7 1/2"	8 1/8"	10"	10 5/8"	1/2	3/4

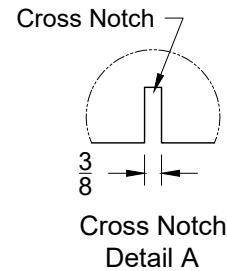
1. Available Finishes	2. Available Accessories	3. Available Options	4. Construction Details
Standard Finish: 25 - White Tee/Black 26 - All White 27 - All Black	XG-ID - Quadrant Inlet Damper XG-LQ - Locking Quadrant Damper XG-ROD - Remote Operated Damper	CN - Cross Notch NB - No Blades CC - 1/2" Closed Cell Insulation EI - 1/2" External Fiberglass Insulation	<ul style="list-style-type: none"> ● Cross Notch: Available for 48" Only ● Split Deflector, only available for the 36", 48" and 60" Units ● Nominal lengths available: 24, 36, 48, 60 ● Available: 1, 2, 3 or 4 Slots ● Steel Construction with Extruded Aluminum Tee's and Pattern Controller's All Dimensions ±1/16"

Model: XG-PHPSI-9 EN Supply - Insulated - Bolt Slot - End Notch

XG-PHPSI-9 - Bolt Slot - End Notch



Inlet Chart			
Size	Type	A	B
6	Round	5 7/8	
8	Oval	5 7/8	8 15/16
10	Oval	5 7/8	12 1/16
12	Oval	5 7/8	15 1/4
14	Oval	5 7/8	18 7/16



MODELS	Slot (W)	2 Slot with End Notch		4 Slot with End Notch		Flange C	Center Tee D
		X	Y	X	Y		
XG-PHPSI-75-9	3/4	3 7/8"	4 1/4"	8 1/8"	8 1/2"	1/2	3/4
XG-PHPSI-10-9	1	4 3/8"	5"	9 1/8"	9 3/4"	1/2	3/4
XG-PHPSI-15-9	1 1/2"	5 3/8"	6"	11 1/8"	11 3/4"	1/2	3/4

1. Available Finishes	2. Available Accessories	3. Available Options	4. Construction Details
Standard Finish: 25 - White Tee/Black 26 - All White 27 - All Black	XG-ID - Quadrant Inlet Damper XG-LQ - Locking Quadrant Damper XG-ROD - Remote Operated Damper	CN - Cross Notch NB - No Blades CC - 1/2" Closed Cell Insulation EI - 1/2" External Fiberglass Insulation	<ul style="list-style-type: none"> ● Cross Notch: Available for 48" Only ● Split Deflector, only available for the 36", 48" and 60" Units ● Nominal lengths available: 24, 36, 48, 60 ● Available: 1, 2, 3 or 4 Slots ● Steel Construction with Extruded Aluminum Tee's and Pattern Controller's All Dimensions ±1/16"