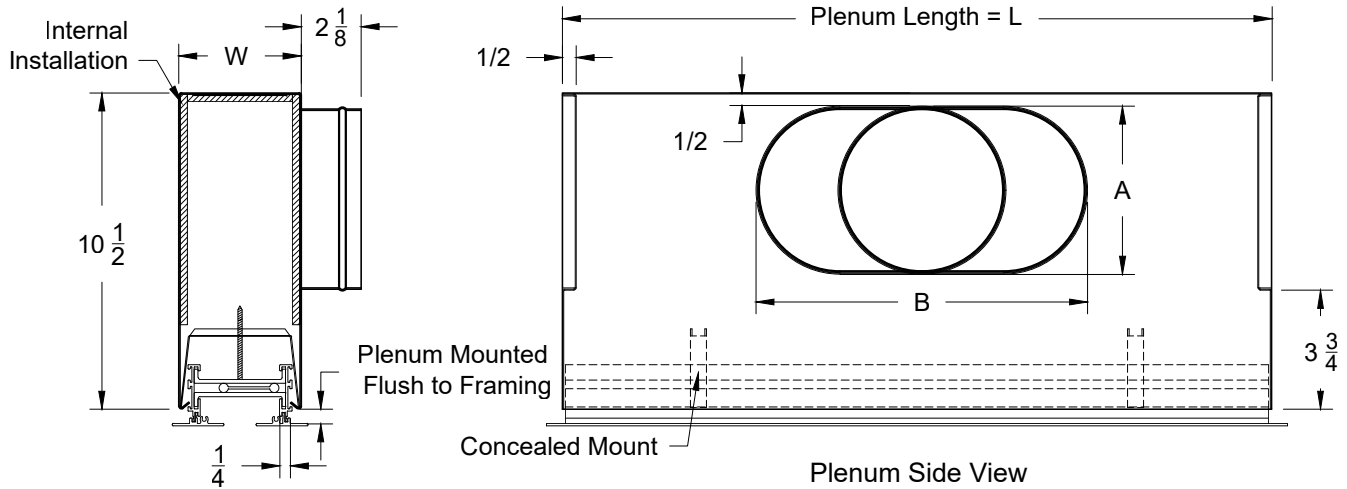


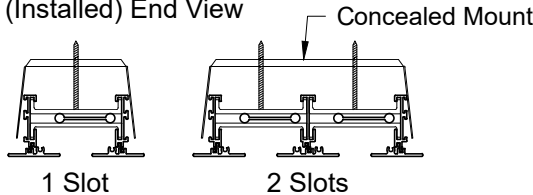
Model: XG-UPI-AFLC-10 Linear Diffuser Plenum with Concealed Mounting - 1" Slot - Insulated

XG-UPI-AFLC-10 - 1" Slot - Insulated



Plenum (Installed) End View

Plenum Side View



| Models | Slot Width | Number of Slots | W (Width) |
|-------------|------------|-----------------|-----------|
| UPI-AFLC-10 | 1 | 1 | 3 3/4 |
| UPI-AFLC-10 | 1 | 2 | 6 11/16 |

| Inlet Chart | | | |
|-------------|-------|-------|----------|
| Size | Type | A | B |
| 6 | Round | 5 7/8 | - |
| 7 | Oval | 5 7/8 | 7 1/4 |
| 8 | Oval | 5 7/8 | 8 3/8 |
| 9 | Oval | 5 7/8 | 10 |
| 10 | Oval | 5 7/8 | 11 9/16 |
| 12 | Oval | 5 7/8 | 14 13/16 |
| 14 | Oval | 5 7/8 | 17 13/16 |

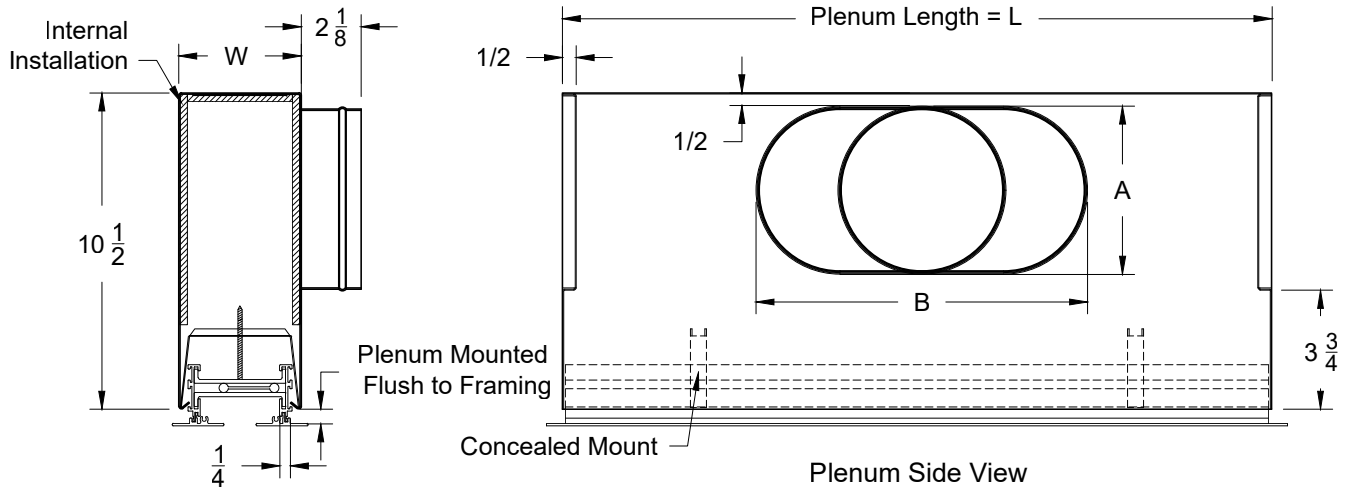
| Length |
|--------|
| L |
| 24 |
| 36 |
| 48 |
| 60 |
| 72 |

| L=Listed Size | | | | | | | | |
|---------------|------------|---------|---------|-------|-------|-------|---------|-------|
| Model | Frame Type | 2-EB | 1-EB | OO | 1-EC | 2-EC | MM | MO |
| UPI-AFLC-10 | -1 | - 1/4 | - 1/4 | - 1/4 | - 1/4 | - 1/4 | - 1/4 | - 1/4 |
| UPI-AFLC-10 | -6 | - 2 1/4 | - 1 1/8 | 0 | -1/8 | -1/4 | - 1 1/8 | -5/8 |

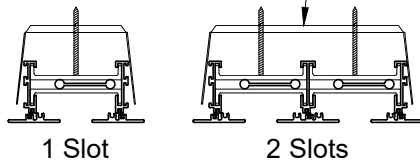
| 1. Available Finishes | 2. Available Accessories | 3. Available Options | 4. Construction Details |
|-----------------------|--|--|--|
| | XG-FODR - Face Operated Damper Rod XG-ID - Inlet Damper XG-LQ - Locking Quadrant Damper XG-ROD - Remote Operated Damper | 1EC - (1) End Cap 2EC - (2) End Caps 1EB - (1) End Border 2EB - (2) End Borders OO - Open / Open | <ul style="list-style-type: none"> • STD - Standard Insulation 1/2" Fiberglass • CC - Closed Cell Foam • EI - Externally Insulated 1/2" Foil back Fiberglass • Note: End Cap Not Insulated • Standard Lengths: 24, 36, 48, 60, 72 • Custom Length available for extra charge 12" minimum – 72" maximum All Dimensions ±1/16" |

Model: XG-UPI-AFLC-15 Linear Diffuser Plenum with Concealed Mounting - 1 1/2" Slot - Insulated

XG-UPI-AFLC-15 - 1 1/2" Slot - Insulated



Plenum (Installed) End View



| Inlet Chart | | | |
|-------------|-------|-------|----------|
| Size | Type | A | B |
| 6 | Round | 5 7/8 | - |
| 7 | Oval | 5 7/8 | 7 1/4 |
| 8 | Oval | 5 7/8 | 8 3/8 |
| 9 | Oval | 5 7/8 | 10 |
| 10 | Oval | 5 7/8 | 11 9/16 |
| 12 | Oval | 5 7/8 | 14 13/16 |
| 14 | Oval | 5 7/8 | 17 13/16 |

| Length |
|--------|
| L |
| 24 |
| 36 |
| 48 |
| 60 |
| 72 |

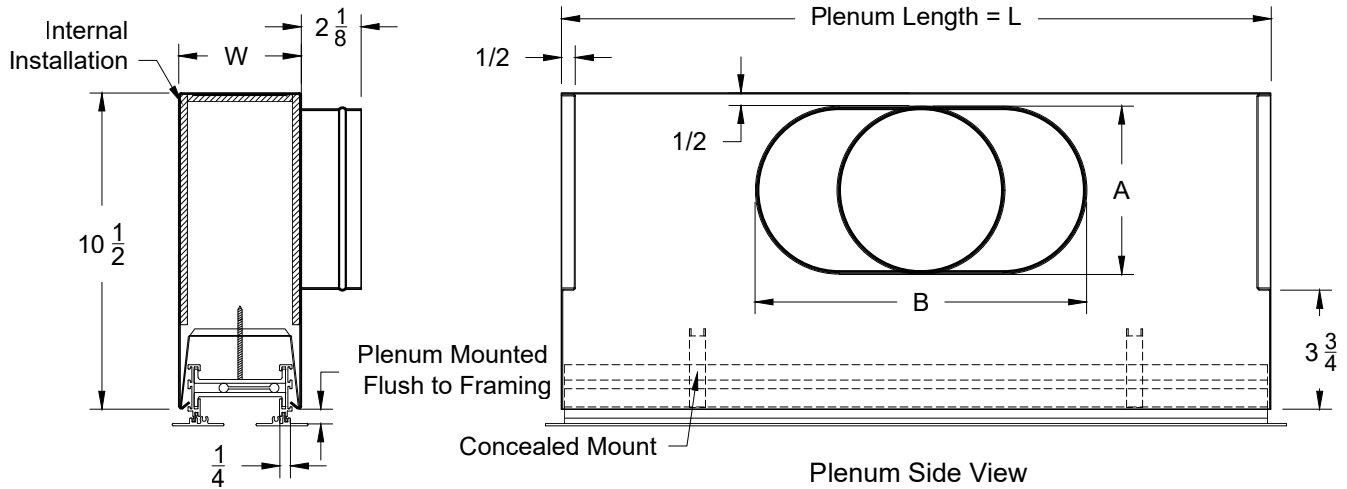
| Models | Slot Width | Number of Slots | W (Width) |
|-------------|------------|-----------------|-----------|
| UPI-AFLC-15 | 1 1/2 | 1 | 4 1/4 |
| UPI-AFLC-15 | 1 1/2 | 2 | 7 11/16 |

| L=Listed Size | | | | | | | | |
|---------------|------------|---------|--------|-------|-------|-------|--------|-------|
| Model | Frame Type | 2-EB | 1-EB | OO | 1-EC | 2-EC | MM | MO |
| UPI-AFLC-15 | -1 | - 1/4 | - 1/4 | - 1/4 | - 1/4 | - 1/4 | - 1/4 | - 1/4 |
| UPI-AFLC-15 | -6 | - 2 1/4 | -1 1/8 | 0 | -1/8 | -1/4 | -1 1/8 | -5/8 |

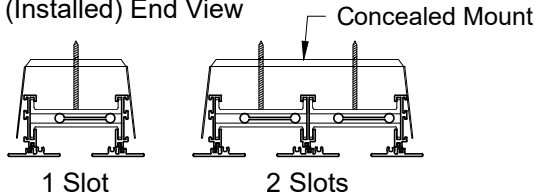
| 1. Available Finishes | 2. Available Accessories | 3. Available Options | 4. Construction Details |
|-----------------------|--|--|---|
| | XG-FODR - Face Operated Damper Rod XG-ID - Inlet Damper XG-LQ - Locking Quadrant Damper XG-ROD - Remote Operated Damper | 1EC - (1) End Cap 2EC - (2) End Caps 1EB - (1) End Border 2EB - (2) End Borders OO - Open / Open | <ul style="list-style-type: none"> • STD - Standard Insulation 1/2" Fiberglass • CC - Closed Cell Foam • EI - Externally Insulated 1/2" Foil back Fiberglass • Note: End Cap Not Insulated • Standard Lengths: 24, 36, 48, 60, 72 • Custom Length available for extra charge 12" minimum – 72" maximum • All Dimensions ±1/16" |

Model: XG-UPI-AFLC-20 Linear Diffuser Plenum with Concealed Mounting - 2" Slot - Insulated

XG-UPI-AFLC-20 - 2" Slot - Insulated



Plenum (Installed) End View



| Models | Slot Width | Number of Slots | W (Width) |
|-------------|------------|-----------------|-----------|
| UPI-AFLC-20 | 2 | 1 | 4 3/4 |
| UPI-AFLC-20 | 2 | 2 | 7 11/16 |

| Inlet Chart | | | |
|-------------|-------|-------|----------|
| Size | Type | A | B |
| 6 | Round | 5 7/8 | - |
| 7 | Oval | 5 7/8 | 7 1/4 |
| 8 | Oval | 5 7/8 | 8 3/8 |
| 9 | Oval | 5 7/8 | 10 |
| 10 | Oval | 5 7/8 | 11 9/16 |
| 12 | Oval | 5 7/8 | 14 13/16 |
| 14 | Oval | 5 7/8 | 17 13/16 |

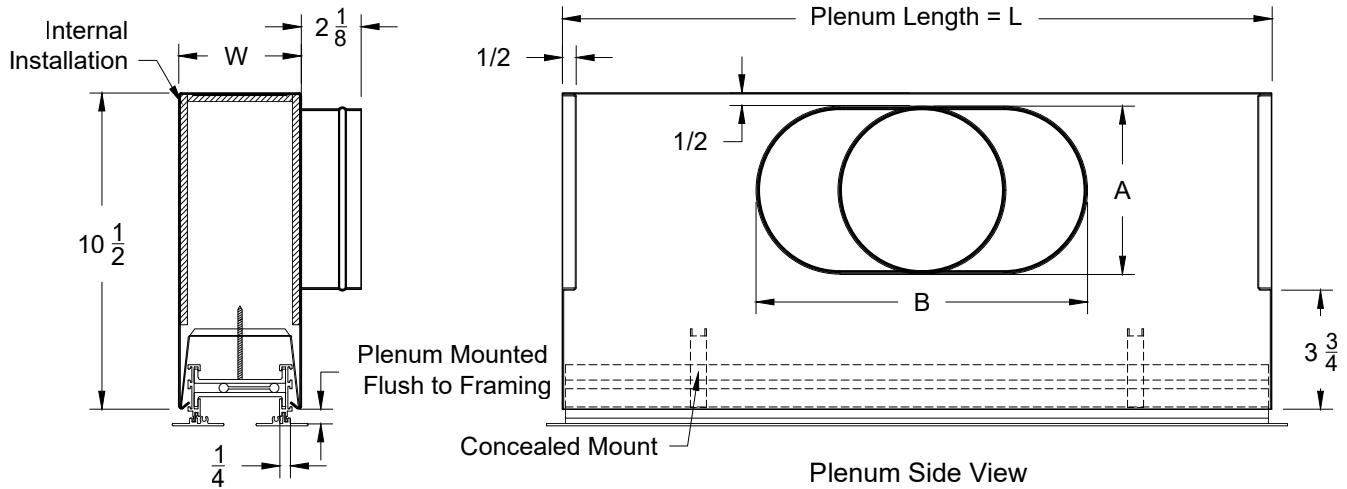
| Length |
|--------|
| L |
| 24 |
| 36 |
| 48 |
| 60 |
| 72 |

| L=Listed Size | | | | | | | | |
|---------------|------------|---------|---------|-------|-------|-------|---------|-------|
| Model | Frame Type | 2-EB | 1-EB | OO | 1-EC | 2-EC | MM | MO |
| UPI-AFLC-20 | -1 | - 1/4 | - 1/4 | - 1/4 | - 1/4 | - 1/4 | - 1/4 | - 1/4 |
| UPI-AFLC-20 | -6 | - 2 1/4 | - 1 1/8 | 0 | - 1/8 | - 1/4 | - 1 1/8 | - 5/8 |

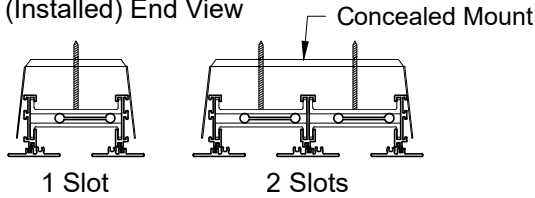
| 1. Available Finishes | 2. Available Accessories | 3. Available Options | 4. Construction Details |
|-----------------------|--|--|--|
| | XG-FODR - Face Operated Damper Rod XG-ID - Inlet Damper XG-LQ - Locking Quadrant Damper XG-ROD - Remote Operated Damper | 1EC - (1) End Cap 2EC - (2) End Caps 1EB - (1) End Border 2EB - (2) End Borders OO - Open / Open | <ul style="list-style-type: none"> • STD - Standard Insulation 1/2" Fiberglass • CC - Closed Cell Foam • EI - Externally Insulated 1/2" Foil back Fiberglass • Note: End Cap Not Insulated • Standard Lengths: 24, 36, 48, 60, 72 • Custom Length available for extra charge 12" minimum – 72" maximum All Dimensions ±1/16" |

Model: XG-UPI-AFLC-25 Linear Diffuser Plenum with Concealed Mounting - 2 1/2" Slot - Insulated

XG-UPI-AFLC-25 - 2 1/2" Slot - Insulated



Plenum (Installed) End View



| Models | Slot Width | Number of Slots | W (Width) |
|-------------|------------|-----------------|-----------|
| UPI-AFLC-25 | 2 1/2 | 1 | 6 1/4 |
| UPI-AFLC-25 | 2 1/2 | 2 | 11 11/16 |

| Inlet Chart | | | |
|-------------|-------|-------|----------|
| Size | Type | A | B |
| 6 | Round | 5 7/8 | - |
| 7 | Oval | 5 7/8 | 7 1/4 |
| 8 | Oval | 5 7/8 | 8 3/8 |
| 9 | Oval | 5 7/8 | 10 |
| 10 | Oval | 5 7/8 | 11 9/16 |
| 12 | Oval | 5 7/8 | 14 13/16 |
| 14 | Oval | 5 7/8 | 17 13/16 |

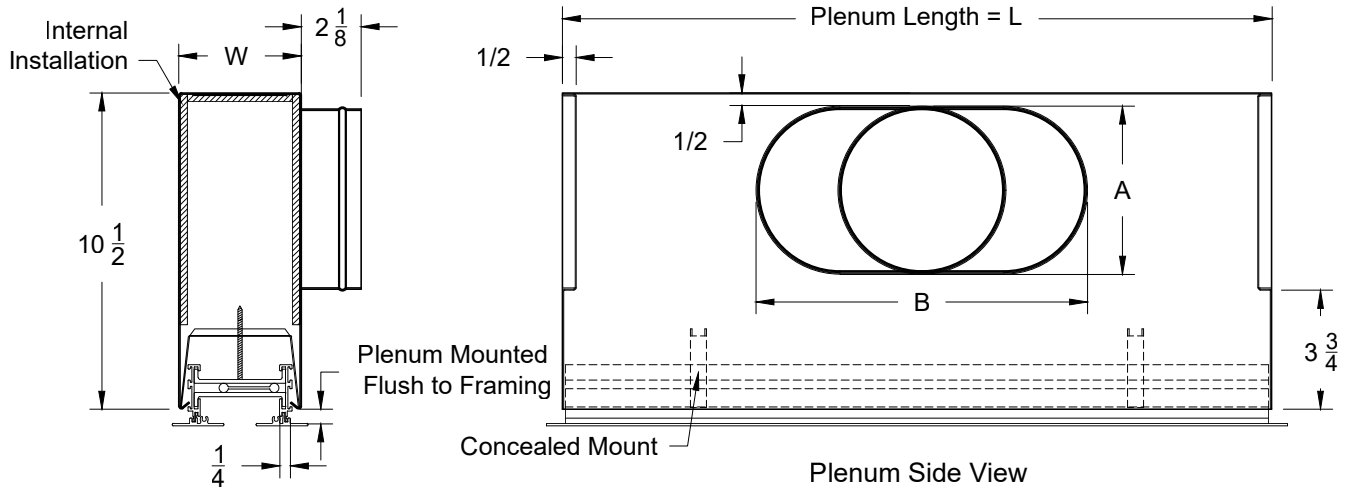
| Length |
|--------|
| L |
| 24 |
| 36 |
| 48 |
| 60 |
| 72 |

| L=Listed Size | | | | | | | | |
|---------------|------------|---------|---------|-------|-------|-------|---------|-------|
| Model | Frame Type | 2-EB | 1-EB | OO | 1-EC | 2-EC | MM | MO |
| UPI-AFLC-25 | -1 | - 1/4 | - 1/4 | - 1/4 | - 1/4 | - 1/4 | - 1/4 | - 1/4 |
| UPI-AFLC-25 | -6 | - 2 1/4 | - 1 1/8 | 0 | - 1/8 | - 1/4 | - 1 1/8 | - 5/8 |

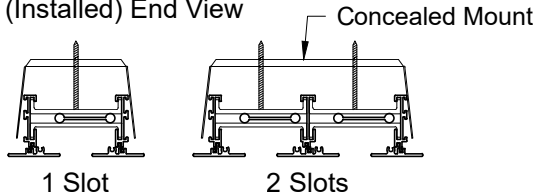
| 1. Available Finishes | 2. Available Accessories | 3. Available Options | 4. Construction Details |
|-----------------------|--|--|---|
| | XG-FODR - Face Operated Damper Rod XG-ID - Inlet Damper XG-LQ - Locking Quadrant Damper XG-ROD - Remote Operated Damper | 1EC - (1) End Cap 2EC - (2) End Caps 1EB - (1) End Border 2EB - (2) End Borders OO - Open / Open | <ul style="list-style-type: none"> • STD - Standard Insulation 1/2" Fiberglass • CC - Closed Cell Foam • EI - Externally Insulated 1/2" Foil back Fiberglass • Note: End Cap Not Insulated • Standard Lengths: 24, 36, 48, 60, 72 • Custom Length available for extra charge 12" minimum – 72" maximum All Dimensions ±1/16" |

Model: XG-UPI-AFLC-30 Linear Diffuser Plenum with Concealed Mounting - 3" Slot - Insulated

XG-UPI-AFLC-30 - 3" Slot - Insulated



Plenum (Installed) End View



| Models | Slot Width | Number of Slots | W (Width) |
|-------------|------------|-----------------|-----------|
| UPI-AFLC-30 | 3 | 1 | 6 3/4 |
| UPI-AFLC-30 | 3 | 2 | 12 11/16 |

| Inlet Chart | | | |
|-------------|-------|-------|----------|
| Size | Type | A | B |
| 6 | Round | 5 7/8 | - |
| 7 | Oval | 5 7/8 | 7 1/4 |
| 8 | Oval | 5 7/8 | 8 3/8 |
| 9 | Oval | 5 7/8 | 10 |
| 10 | Oval | 5 7/8 | 11 9/16 |
| 12 | Oval | 5 7/8 | 14 13/16 |
| 14 | Oval | 5 7/8 | 17 13/16 |

| Length |
|--------|
| L |
| 24 |
| 36 |
| 48 |
| 60 |
| 72 |

| L=Listed Size | | | | | | | | |
|---------------|------------|---------|---------|-------|-------|-------|---------|-------|
| Model | Frame Type | 2-EB | 1-EB | OO | 1-EC | 2-EC | MM | MO |
| UPI-AFLC-30 | -1 | - 1/4 | - 1/4 | - 1/4 | - 1/4 | - 1/4 | - 1/4 | - 1/4 |
| UPI-AFLC-30 | -6 | - 2 1/4 | - 1 1/8 | 0 | -1/8 | -1/4 | - 1 1/8 | -5/8 |

| 1. Available Finishes | 2. Available Accessories | 3. Available Options | 4. Construction Details |
|-----------------------|--|--|---|
| | XG-FODR - Face Operated Damper Rod XG-ID - Inlet Damper XG-LQ - Locking Quadrant Damper XG-ROD - Remote Operated Damper | 1EC - (1) End Cap 2EC - (2) End Caps 1EB - (1) End Border 2EB - (2) End Borders OO - Open / Open | <ul style="list-style-type: none"> • STD - Standard Insulation 1/2" Fiberglass • CC - Closed Cell Foam • EI - Externally Insulated 1/2" Foil back Fiberglass • Note: End Cap Not Insulated • Standard Lengths: 24, 36, 48, 60, 72 • Custom Length available for extra charge 12" minimum – 72" maximum All Dimensions ±1/16" |