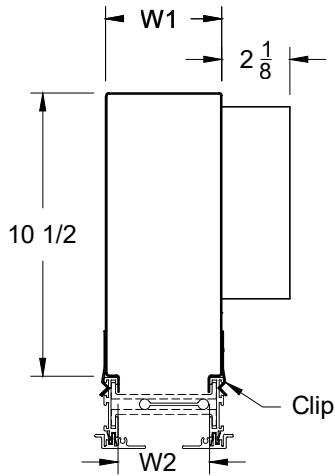
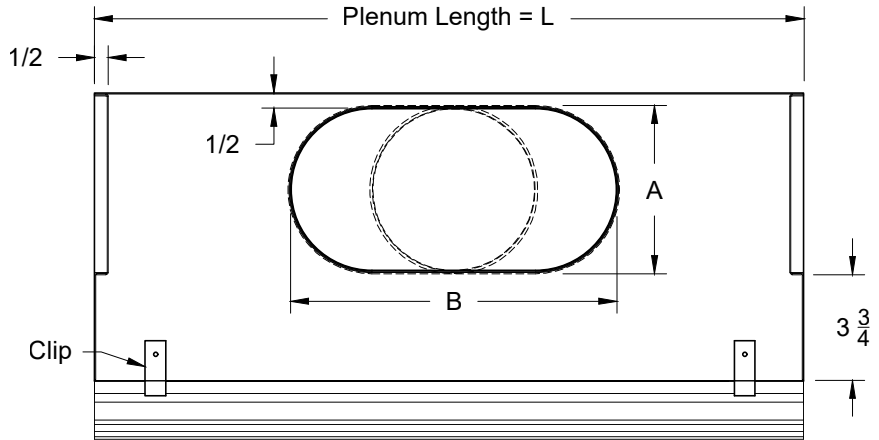


Model: XG-UP-AFL-TZ4 Linear Diffuser Plenum - 4" Techzone - 1" Slot - Non Insulated
 XG-UP-AFL-TZ6 Linear Diffuser Plenum - 6" Techzone - 1" Slot - Non Insulated

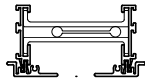
XG-UP-AFL-TZ - 1" Slot - Non Insulated



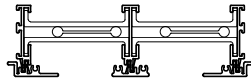
Plenum (Installed) End View



Plenum Side View



1 Slot



2 Slots

Models	Slot Width	Number of Slots	W1	W2
XG-UP-AFL-TZ4	1	1	3 1/4	2 1/4
XG-UP-AFL-TZ6	1	2	5 1/4	4 1/4

Inlet Chart			
Size	Type	A	B
6	Round	5 7/8	-
7	Oval	5 7/8	7 1/4
8	Oval	5 7/8	8 3/8
9	Oval	5 7/8	10
10	Oval	5 7/8	11 9/16
12	Oval	5 7/8	14 13/16
14	Oval	5 7/8	17 13/16

Length
L
24
36
48
60
72

L = Listed Size ± Linear End Types						
Model	Frame Type	OO	1-EC	2-EC	MM	MO
XG-UP-AFL-TZ4	TZ	- 1/4	- 1/4	- 1/4	- 1/4	- 1/4
XG-UP-AFL-TZ6	TZ	- 1/4	- 1/4	- 1/4	- 1/4	- 1/4

1. Available Finishes	2. Available Accessories	3. Available Options	4. Construction Details
	XG-FODR - Face Operated Damper Rod XG-ID - Inlet Damper XG-LQ - Locking Quadrant Damper XG-ROD - Remote Operated Damper	1EC - (1) End Cap 2EC - (2) End Caps OO - Open / Open	<ul style="list-style-type: none"> Standard Lengths: 24, 36, 48, 60, 72 Custom Length available for extra charge 12" minimum – 72" maximum NI - No Inlet

All Dimensions ±1/16"