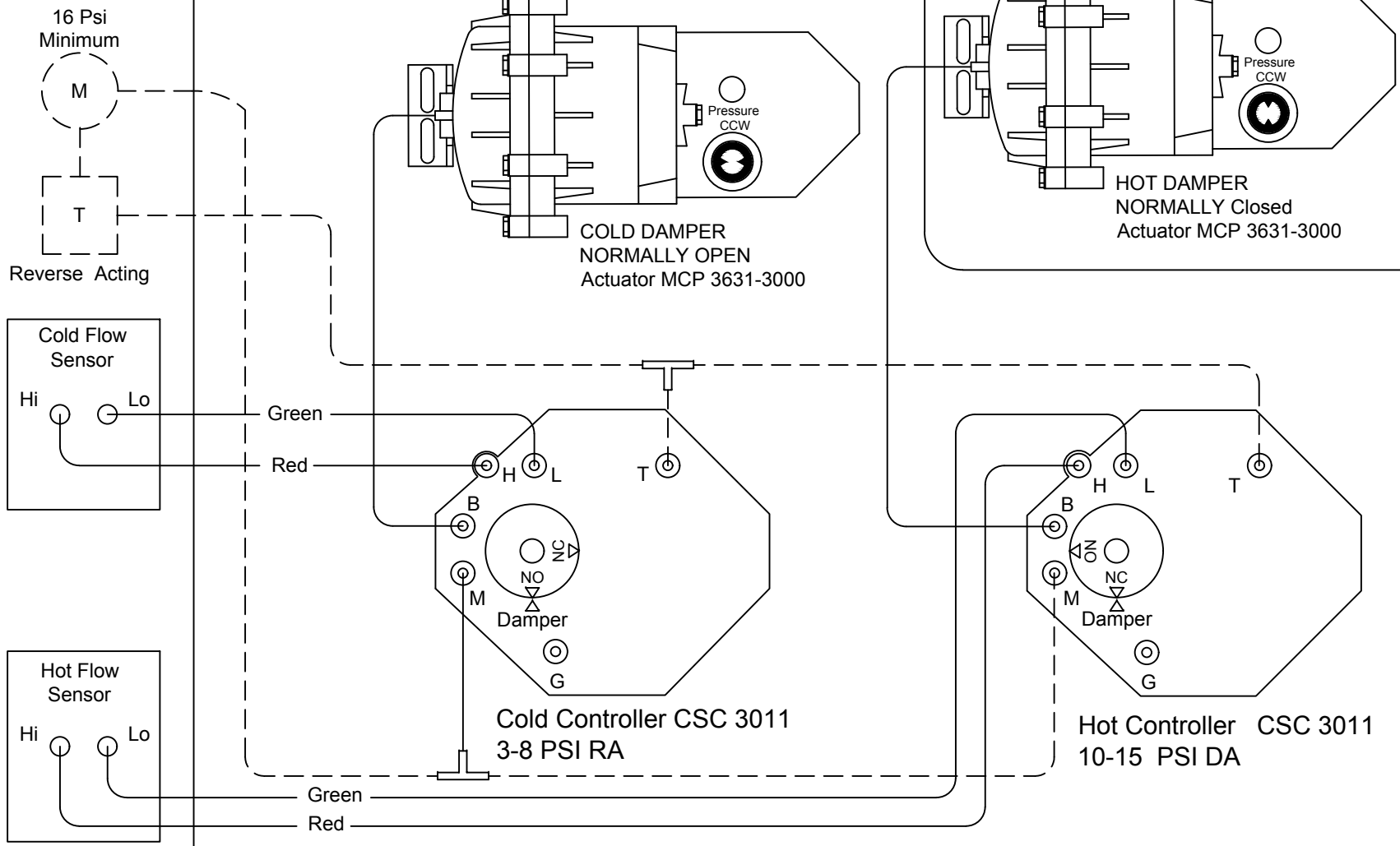


STANDARD COLD DAMPER LOCATION IS RH
ORDER OPTION 26 FOR LH

STANDARD HOT DAMPER LOCATION IS LH
ORDER OPTION 26 FOR RH



—— Factory Piping
- - - Field Piping By Others

DDCD 239M

(CDS) ATU\CONTROL DIAGRAMS\PNEUMATIC\

Control Wiring Diagram

Reverse Acting N.O. Cold DA N.C, Hot
For Use With Mixing And Non Mixing Units

Unless Otherwise Specified:
1. Dimensions Are In Inches.
2. Tolerances Are:
Fractions Decimals Angles
±.X = .1
±1/32 ±.XX = .02 ±1°
±.XXX = .010

Phone: 715.359.6171
Fax: 715.355.2399
Parts : 800.355.5354
gfcinfo@greenheck.com
www.greenheck.com

N/A	F	Removed logo	7/8/21	CG
ECN. No.	Rev	Description	Date	Rev'd By:

DWN. BY	DG	DATE	11/07/05	DWG. NO.		REV.	
CHK'D BY	DG	SCALE	NTS	DDCD 239M		F	