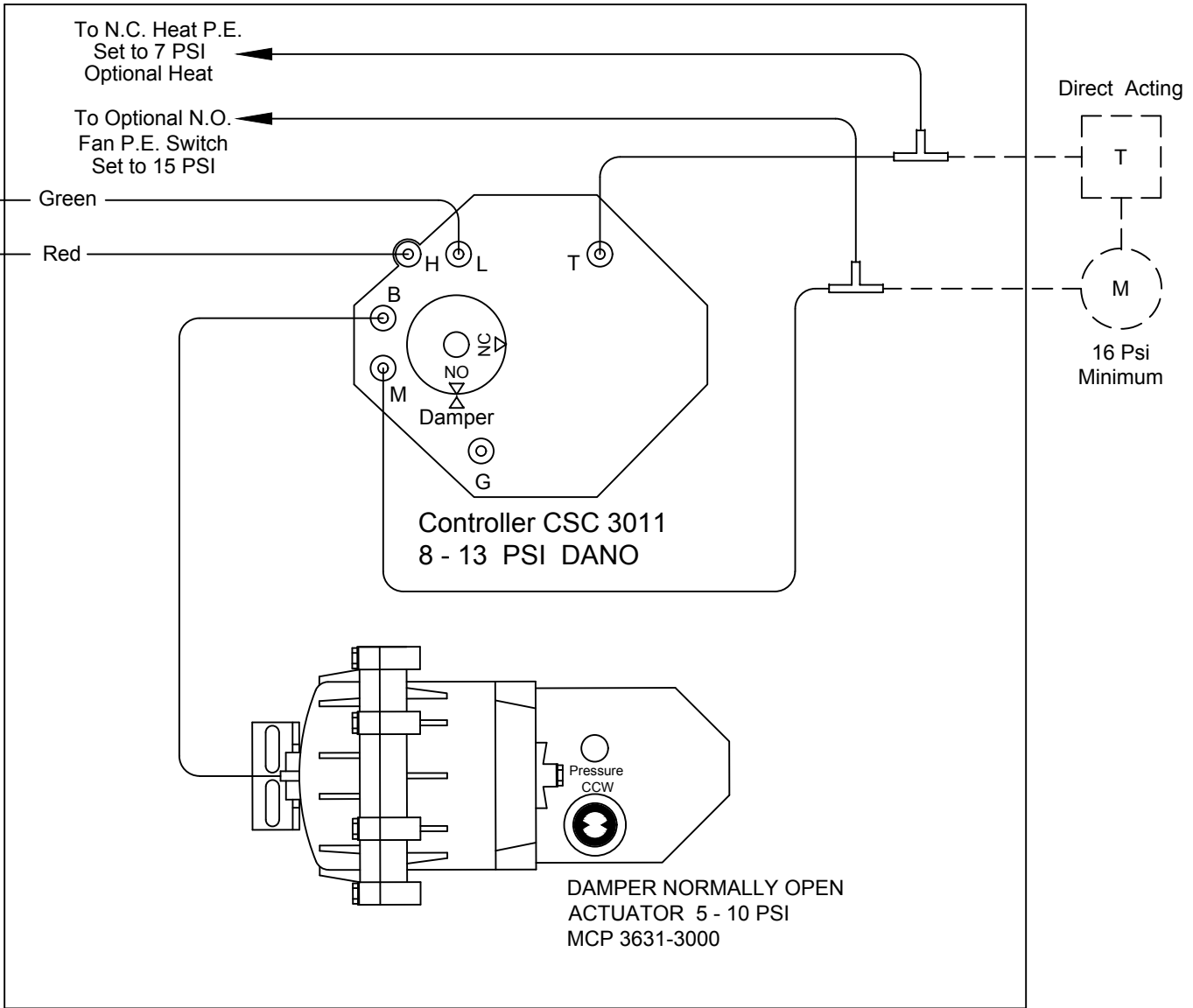
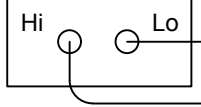




Building Value in Air.
AIR FLOW
SENSOR



———— Factory Piping
----- Field Piping By Others

FCCD 915M

(CDS) ATU\CONTROL DIAGRAMS\PNEUMATIC\

Control Wiring Diagram

DANO 8 - 13 PSI PNEUMATIC
Pressure Independent Fan Powered Unit

Phone: 715.359.6171
Fax: 715.355.2399
Parts : 800.355.5354
gfcinfo@greenheck.com
www.greenheck.com

N/A	F	Removed logo	7/12/21	CG
ECN. No.	Rev	Description	Date	Rev'd By:

Unless Otherwise Specified: 1. Dimensions Are In Inches. 2. Tolerances Are: Fractions Decimals Angles ±1/32 ±.X = .1 ±1° ±.XX = .02 ±.XXX = .010				
DWN. BY	DG	DATE	02/05/93	DWG. NO.
CHK'D BY	RE	SCALE	NTS	FCCD915M
				REV.
				F