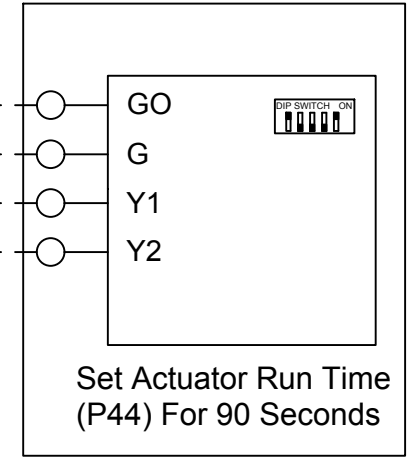
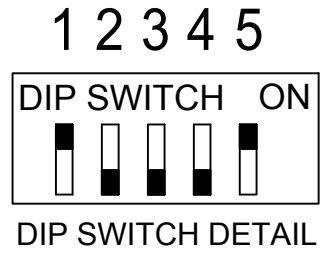
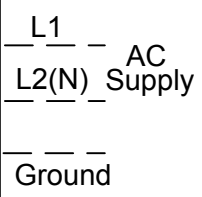
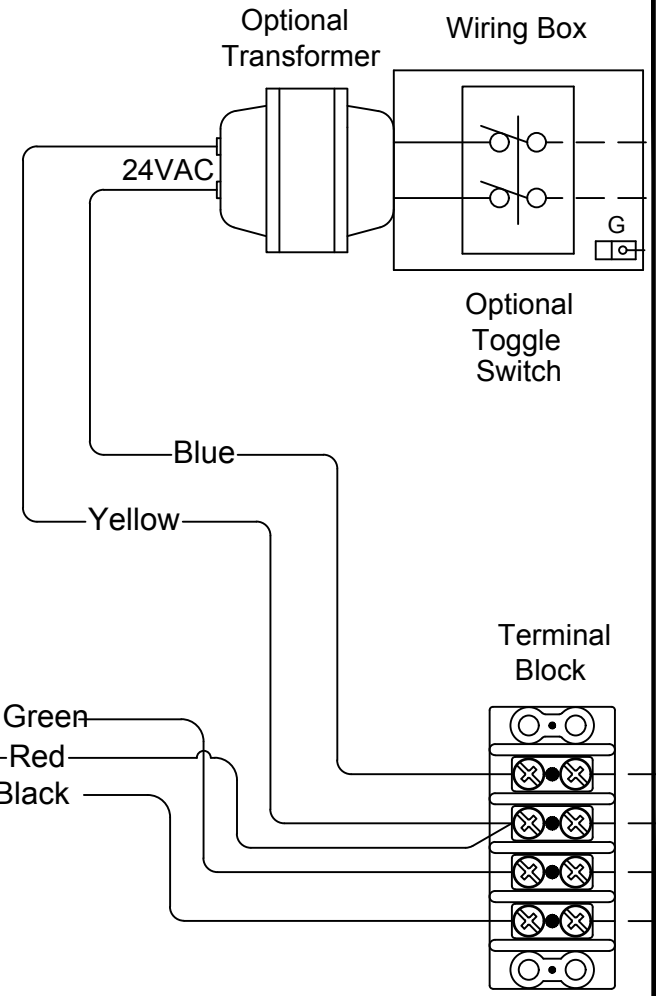
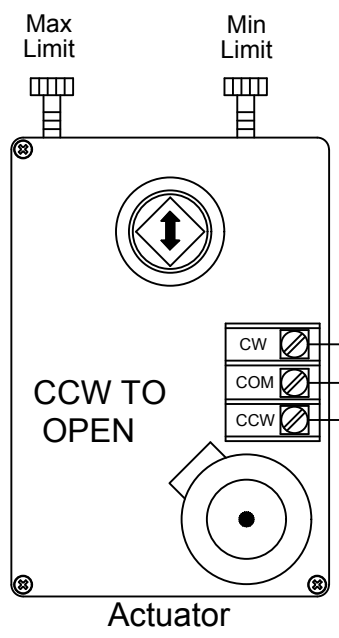


Transformer Options:  
 352N - No Xformer  
 352A - 120 / 24  
 352C - 277 / 24  
 352F - 240 / 24

**SHIP WITH  
 DAMPER  
 CLOSED**



——— Factory Piping  
 - - - Field Piping By Others

Actuator-ML6161B-2024, 90 Second  
 Thermostat-RDG400 24 V Digital

**BPCD 352**  
 (CDS) ATU\CONTROL DIAGRAMS\ELECTRIC\

Unless Otherwise Specified: 1. Dimensions Are In Inches. 2. Tolerances Are: Fractions Decimals Angles ±1/32 ±.X = .1 ±1° ±.XX = .02 ±.XXX = .010		<b>Control Wiring Diagram</b>	
DWN. BY DB DATE 9/12/02			
CHK'D BY DSG SCALE NTS		DWG. NO. BPCD352	
REV'd By:		REV. K	

Phone: 715.359.6171  
 Fax: 715.355.2399  
 Parts : 800.355.5354  
 gfcinfo@greenheck.com  
 www.greenheck.com

N/A	K	Removed logo	7/12/21	CG
N/A	J	Left Hand Box	04/25/19	DSG
N/A	I	UPDATED TO NEW FORMAT	08/29/17	RML
N/A	H	Revised Digital Thermostat	12/13/16	DSG
ECN. No.	Rev	Description	Date	Rev'd By: