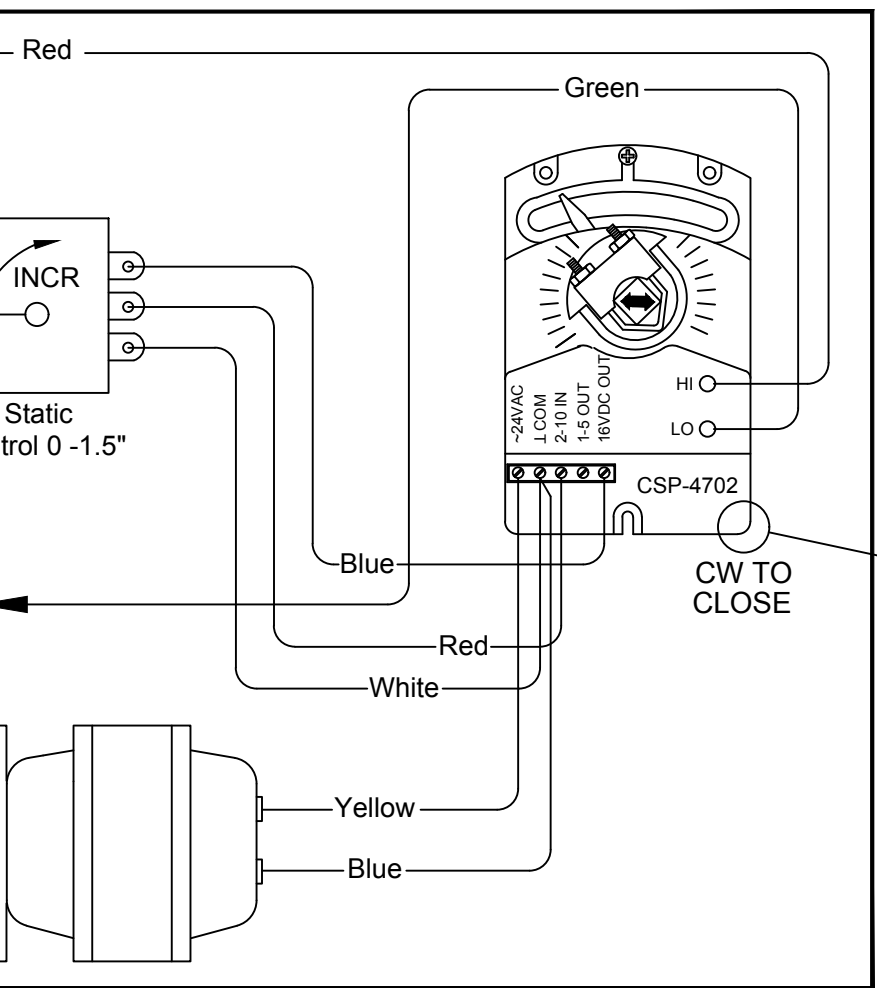
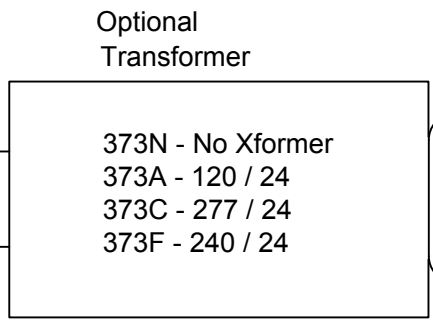
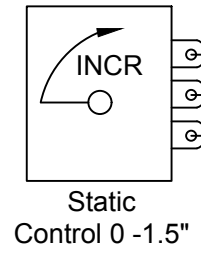


Building Value in Air.

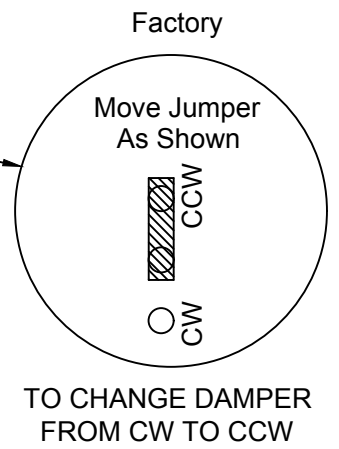
Field Mount Pressure Probe  
Downstream for Direct Control  
Upstream for Bypass Control

Ps	Volts "IN" → "-"
0	0.50
0.1	1.25
0.2	2.50
0.4	5.0
0.6	7.50
0.8	10.0
1.0	11.5V
1.5	16V



Note: Direct Static Control Shown.

For Bypass Static Control:  
Relink damper 90 degrees,  
(i.e., Damper closed when  
indicator at 90 degrees.)



———— Factory Piping  
----- Field Piping By Others

Controller/Actuator-CSP-4702, 24 Vac, 4 VA  
Static Control-2.5 K Pot  
Transformer-24VAC , 40 VA Min

BPCD 373  
(CDS) ATU\CONTROL DIAGRAMS\ANALOG\

Control Wiring Diagram

Unless Otherwise Specified: 1. Dimensions Are In Inches. 2. Tolerances Are: Fractions Decimals Angles ±.X = .1 ±1/32 ±.XX = .02 ±1° ±.XXX = .010			Static Pressure Control Direct or Bypass		
DWN. BY DB		DATE 5/28/02			
CHK'D BY DSG		SCALE NTS		DWG. NO. BPCD373	REV. C

ECN. No.	Rev	Description	Date	Rev'd By:
N/A	C	Removed logo	7/12/21	CG
N/A	B	UPDATED TO NEW FORMAT	08/31/17	RML
N/A	A	Revised Controller	2/22/16	DSG

Phone: 715.359.6171  
Fax: 715.355.2399  
Parts : 800.355.5354  
gfcinfo@greenheck.com  
www.greenheck.com