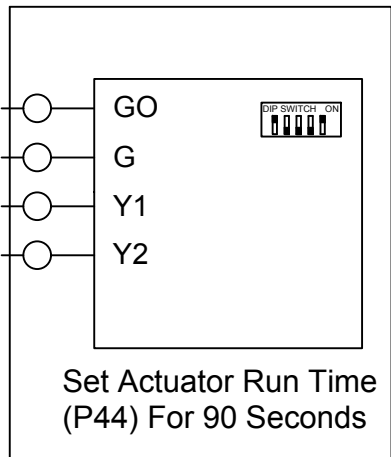
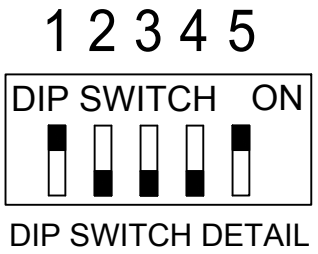


L1
L2(N) AC Supply
Ground

Transformer Options:
652N - No Xformer
652A - 120 / 24
652C - 277 / 24
652F - 240 / 24



——— Factory Piping
- - - Field Piping By Others

Actuator-ML6161B-2024, 90 Second
Thermostat-RDG400 24 V Digital

Thermostat (RDG400)

RTCD 652

(CDS) ATU\CONTROL DIAGRAMS\ELECTRIC\

Control Wiring Diagram

SINGLE DUCT AIR TERMINAL COOLING ONLY VAV

Unless Otherwise Specified:
1. Dimensions Are In Inches.
2. Tolerances Are:
Fractions Decimals Angles
±.X = .1
±1/32 ±.XX = .02 ±1°
±.XXX = .010

Phone: 715.359.6171
Fax: 715.355.2399
Parts : 800.355.5354
gfcinfo@greenheck.com
www.greenheck.com

N/A	D	Removed logo	7/14/21	CG
N/A	C	Changed T-stat	10/07/20	CG
N/A	B	Removed End Switch	10/07/20	CG
N/A	A	UPDATED TO NEW FORMAT	09/06/17	RML
ECN. No.	Rev	Description	Date	Rev'd By:

DWN. BY	DSG	DATE	10/28/14	DWG. NO.	REV.
CHK'D BY	DSG	SCALE	NTS	RTCD652	D