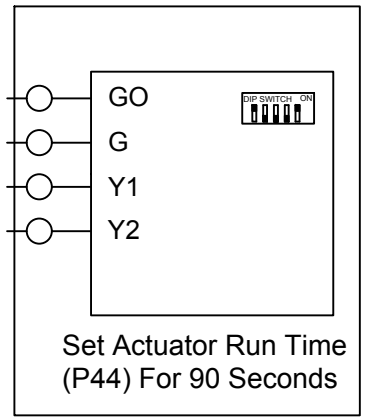
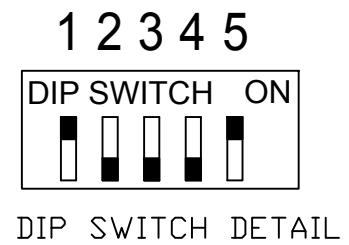
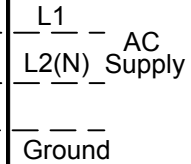
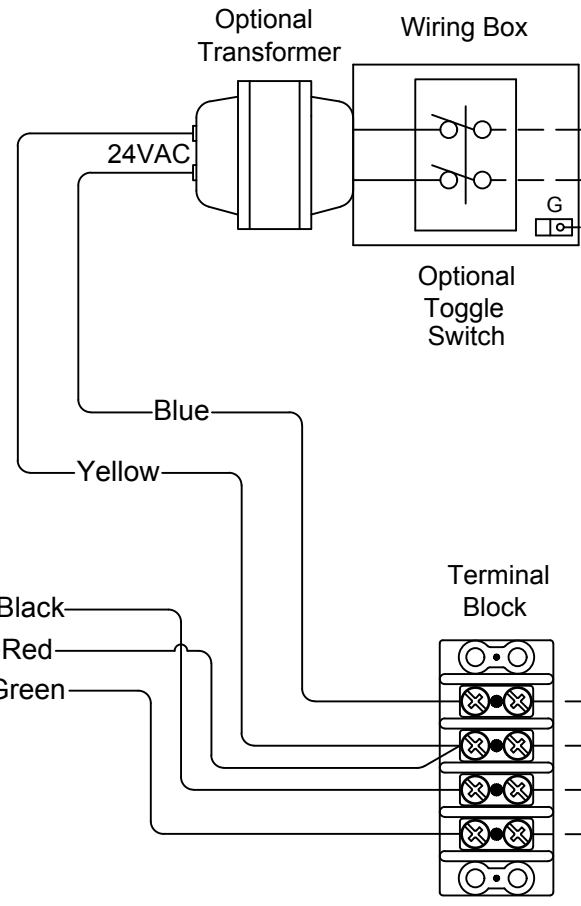
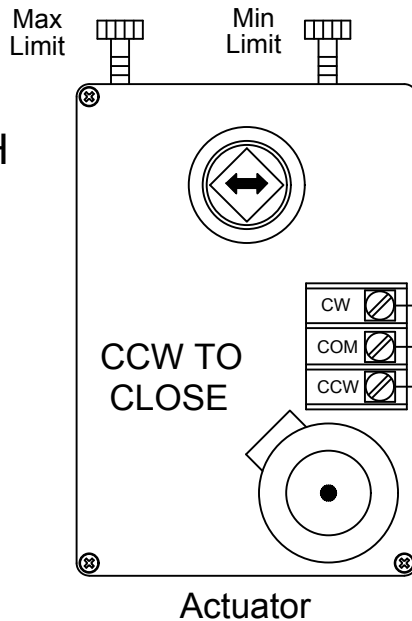


Transformer Options:
 452N - No Xformer
 452A - 120 / 24
 452C - 277 / 24
 452F - 240 / 24

SHIP WITH
 DAMPER
 OPEN



—— Factory Piping
 - - - Field Piping By Others

Actuator-ML6161B-2024, 90 Second
 Thermostat-RDG400 24 V Digital

SRCD 452
 (CDS) ATU\CONTROL DIAGRAMS\ELECTRIC\

Control Wiring Diagram

Single Duct Air Terminal
 Cooling Only VAV

Phone: 715.359.6171
 Fax: 715.355.2399
 Parts : 800.355.5354
 gfcinfo@greenheck.com
 www.greenheck.com

N/A	Q	Removed logo	7/14/21	CG
N/A	P	UPDATED TO NEW FORMAT	09/06/17	RML
ECN. No.	Rev	Description	Date	Rev'd By:

Unless Otherwise Specified: 1. Dimensions Are In Inches. 2. Tolerances Are: Fractions Decimals Angles $\pm 1/32$ $\pm .X = .1$ $\pm 1^\circ$ $\pm .XX = .02$ $\pm .XXX = .010$				
DWN. BY	DSG	DATE	09/12/04	DWG. NO.
CHK'D BY	DSG	SCALE	NTS	SRCD452
				REV. Q