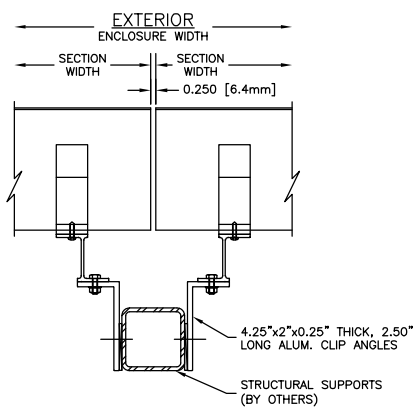
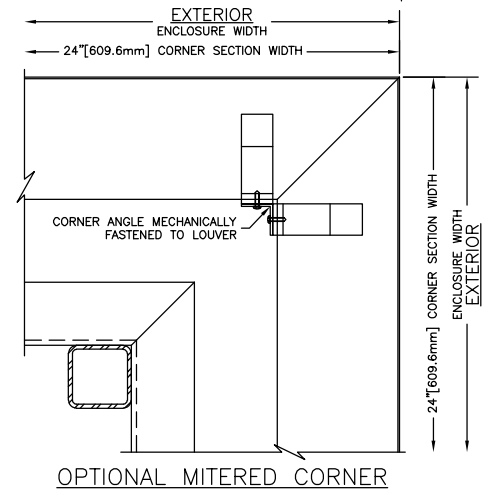


APPROVER NOTE:  
 APPROVER TO INDICATE SIZES AND SPACING  
 OF ALL VERTICAL & HORIZONTAL SUPPORTS.



ALTERNATE VERTICAL  
 MULLION AT SUPPORT



OPTIONAL MITERED CORNER