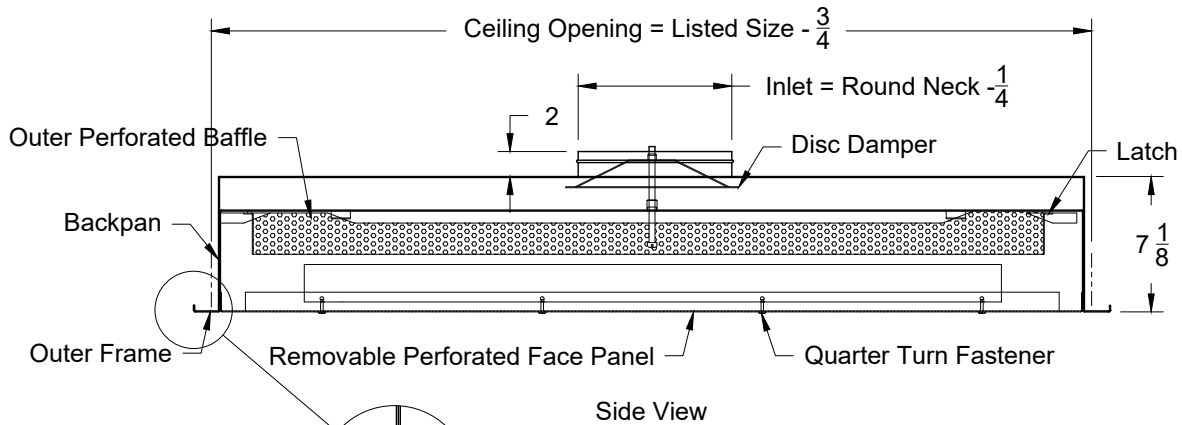
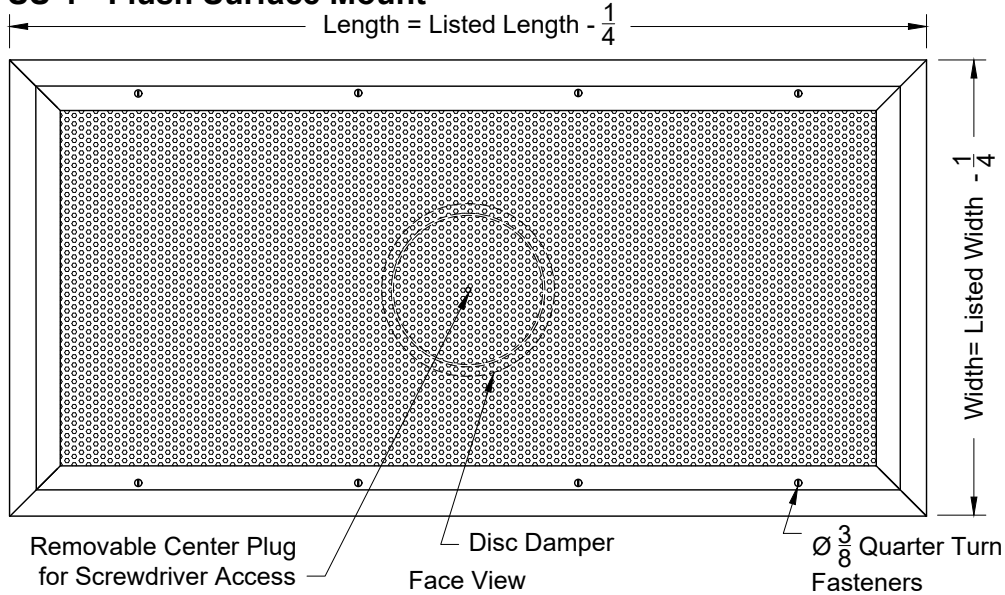
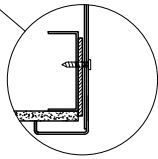


Model: HLC-CLF-SS-1 Multi-Chamber Laminar Flow - Fully Welded Backpan - Flush Surface Mount

HLC-CLF-SS-1 - Flush Surface Mount



Flush Surface Mount Detail:
C-Channel, Wood Blocks,
Shims & Fastening Provided
By Others. Use Shims to
Center Diffuser In Opening.



Available Sizes			
Widths	12	24	-
Lengths	24	36	48

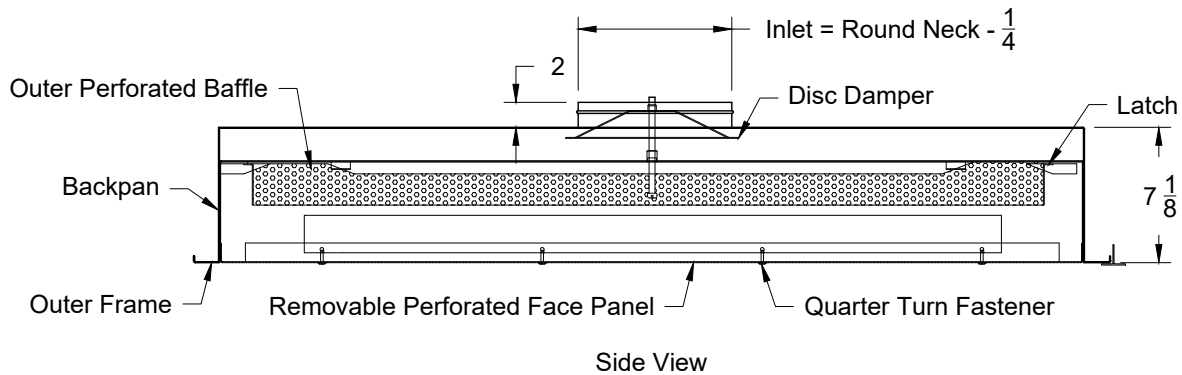
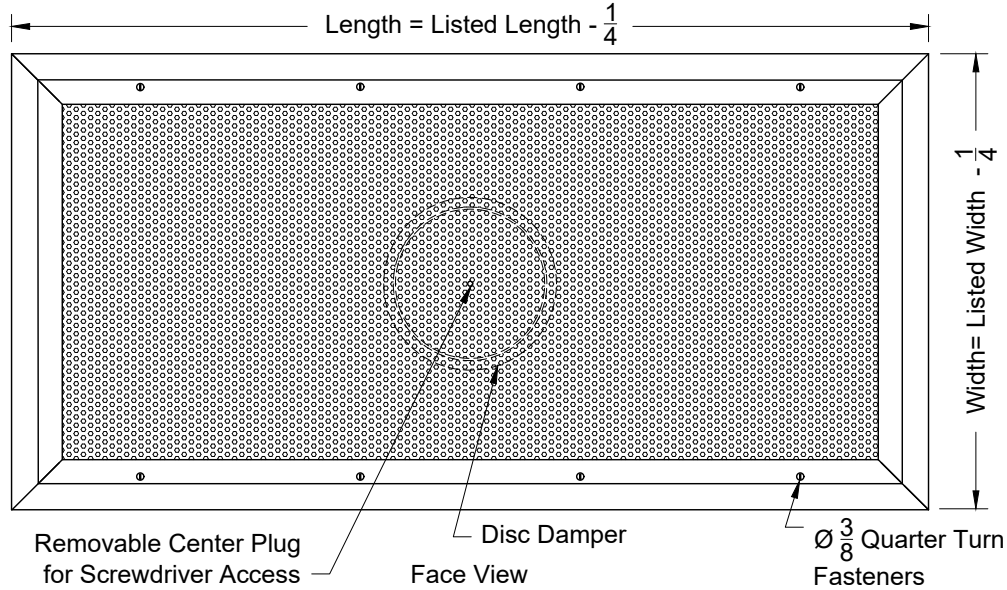
Available Round Neck Sizes					
Neck	6	8	10	12	14

1. Available Finishes	2. Available Accessories	3. Available Options	4. Construction Details
Standard Finish: 24 Mill Finish Finish 01SS White	XG-TBPFSS - Stainless Steel TBPF XG-BDS-SS - Stainless Steel Butterfly Damper	EI - External 1/2" Insulation DD - Disk Damper	<ul style="list-style-type: none"> Fully welded Seams and Frame Standard Multi-Chamber Design Classified as ASHRAE Group E Non-Aspirating Diffuser, Compliant with ASHRAE 170 Requirements Perforated Panel Free Areas: 16%, 23% and 51% Available Stainless Steel Construction

All Dimensions $\pm 1/16"$

Model: HLC-CLF-SS-6 Multi-Chamber Laminar Flow - Fully Welded Backpan - T-Bar Lay In

HLC-CLF-SS-6 - T-Bar Lay In



Available Sizes			
Widths	12	24	-
Lengths	24	36	48

Available Round Neck Sizes					
Neck	6	8	10	12	14

1. Available Finishes	2. Available Accessories	3. Available Options	4. Construction Details
Standard Finish: 24 Mill Finish Finish 01SS White	XG-TBPFSS - Stainless Steel TBPF XG-BDS-SS - Stainless Steel Butterfly Damper	EI - External 1/2" Insulation DD - Disk Damper	<ul style="list-style-type: none"> Fully welded Seams and Frame Standard Multi-Chamber Design Classified as ASHRAE Group E Non-Aspirating Diffuser, Compliant with ASHRAE 170 Requirements Perforated Panel Free Areas: 16%, 23% and 51% Available Stainless Steel Construction

All Dimensions $\pm 1/16"$