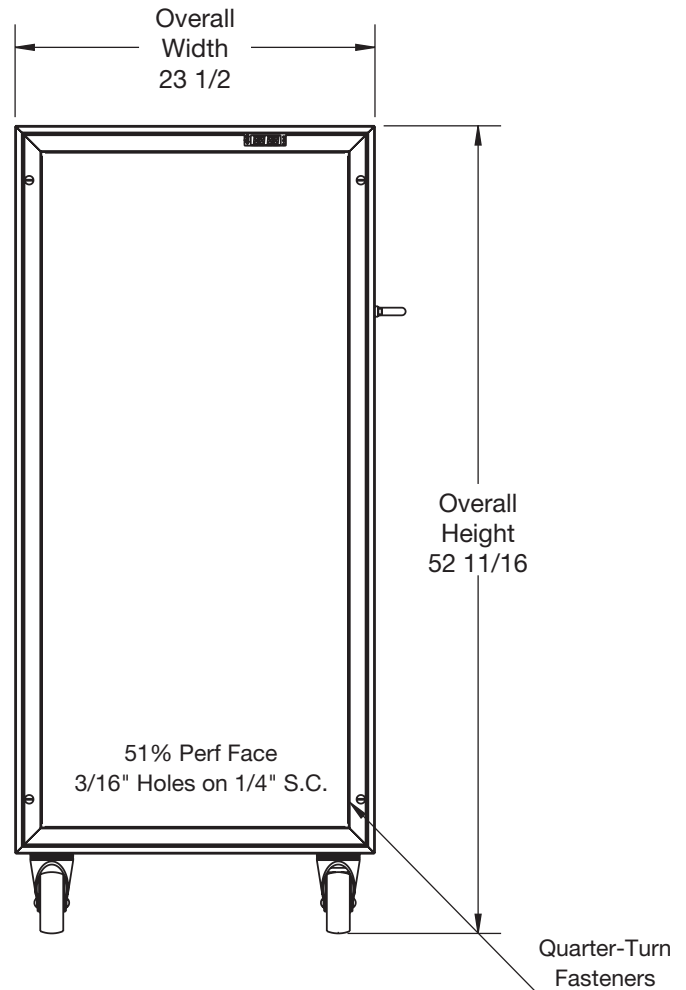
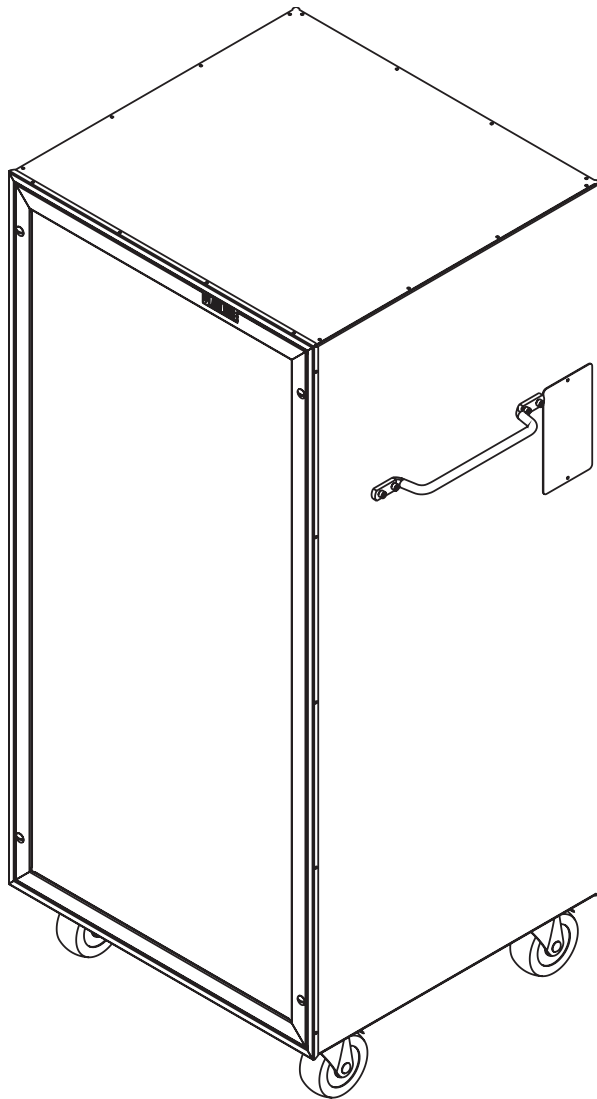


Model: HLC-FPC-Recirculation Fan Filter Mobile Cart



**Construction Options**

304 Stainless Steel (Standard)

Filter Type

- HEPA Filter (2 in pack)
- High Flow HEPA Filter (4 in pack)
- ULPA Filter

**Electronic Options**

Motor Voltage - 120VAC - 2.8 FLA

Face Control & Display (Standard)

Airflow Sensor (Standard)

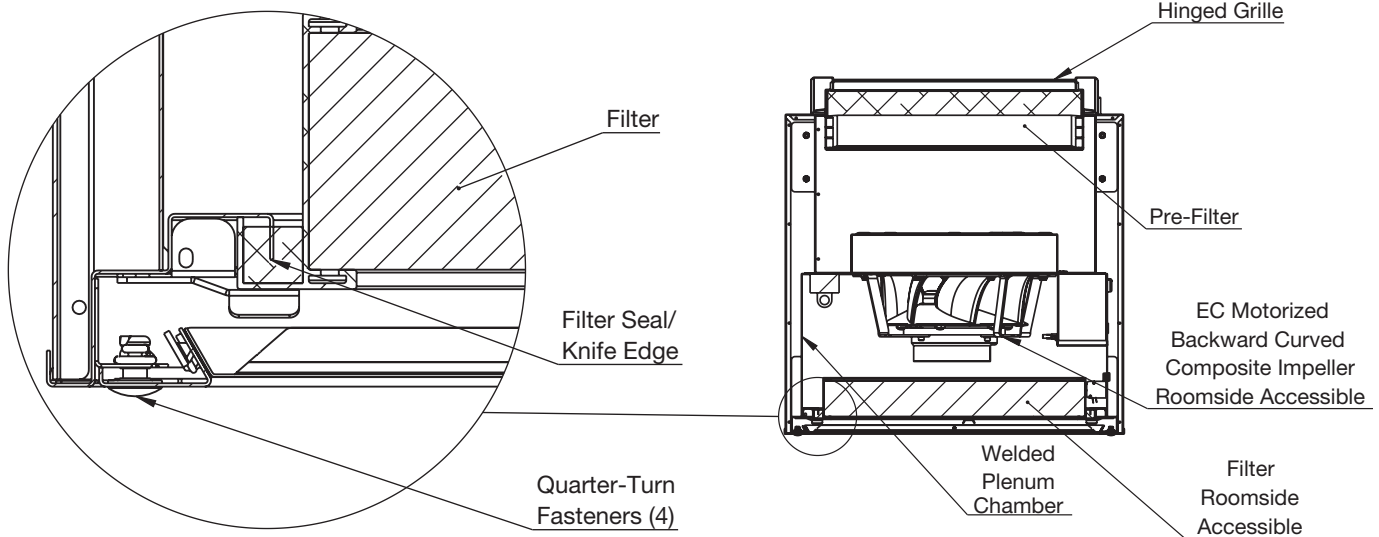
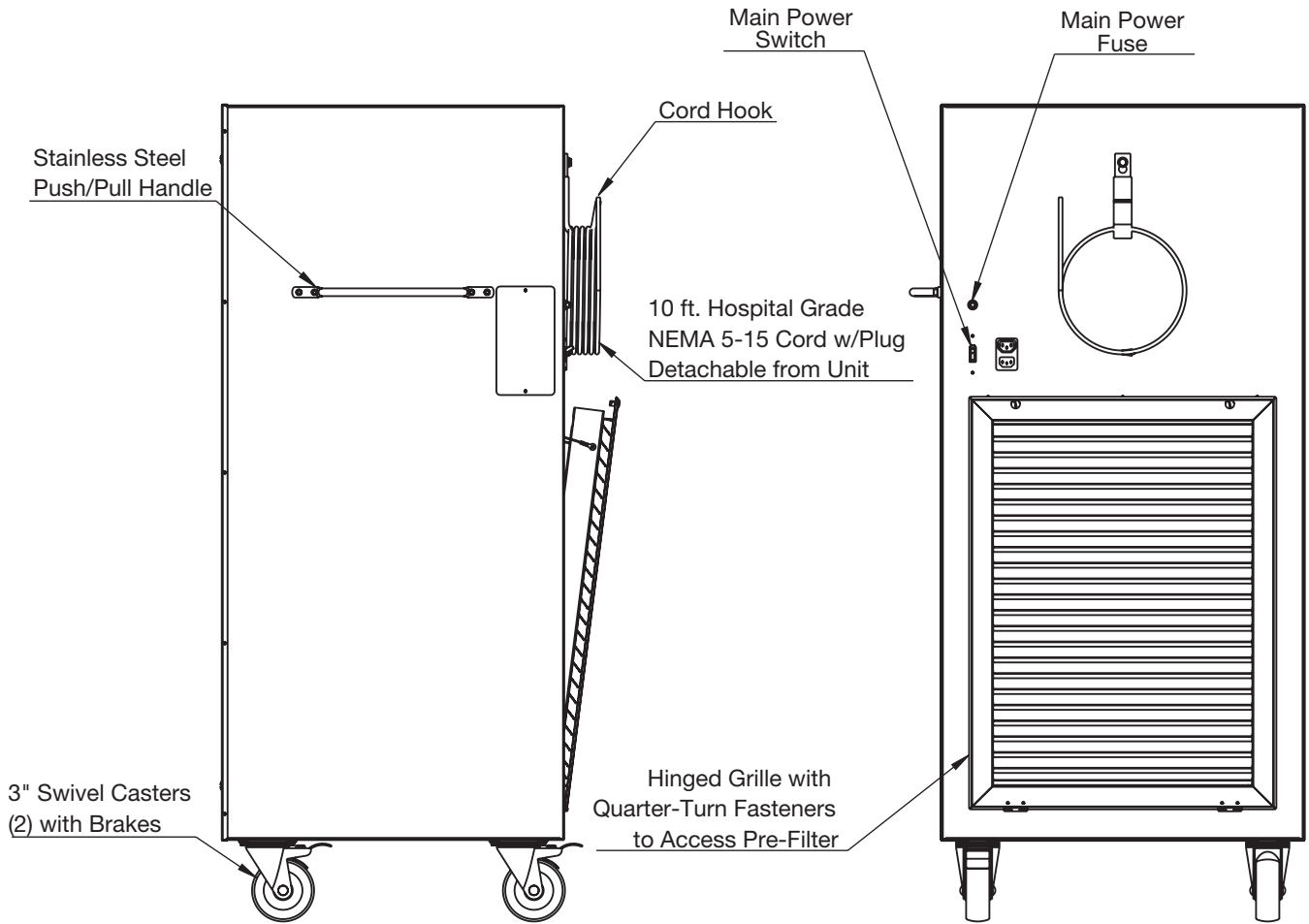
On/Off Indicator: Yellow LED (Standard)

Airflow Indicator: Green LED (Standard)

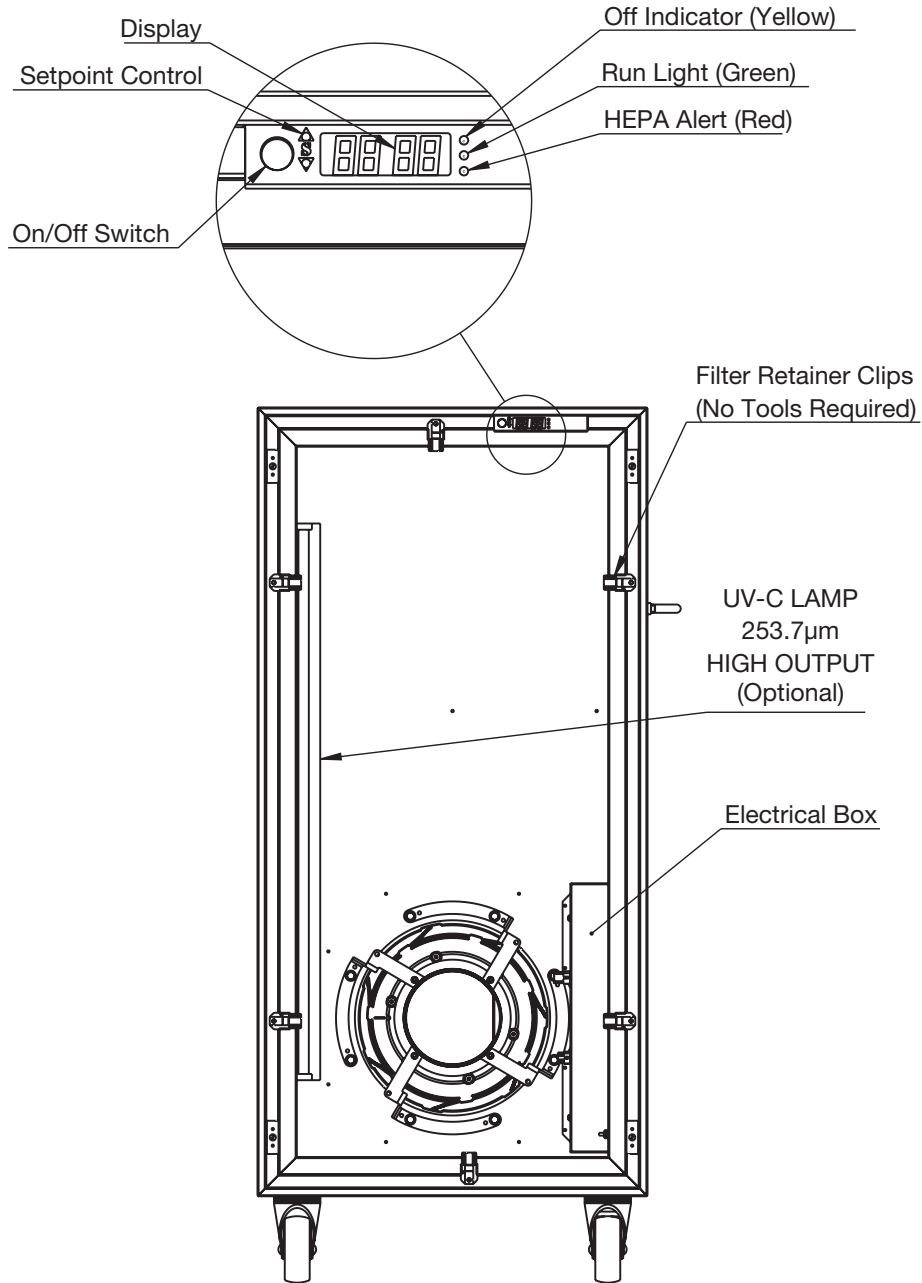
Filter Indicator: Red LED

1. Available Finishes	2. Available Accessories	3. Available Options	4. Construction Details
01 White 23 Satin Polish		HEPA or ULPA Filters HEPA Alert LED Filter Indicator High Output Antimicrobial UV-C Lamp	<ul style="list-style-type: none"> <li>• Field Configurable Motor Operation - Constant flow or constant speed</li> <li>• Adjustable Face Controller</li> <li>• Return Grille with Pre-filter</li> <li>• 10ft Hospital Grade Cord with Plug</li> <li>• 3-inch Swivel Casters &amp; Push/Pull Handles</li> </ul> <p style="text-align: right;">All Dimensions ±1/16"</p>

Model: HLC-FPC-Recirculation Fan Filter Mobile Cart



Model: HLC-FPC-Recirculation Fan Filter Mobile Cart



FACE FRAME AND HEPA FILTER  
REMOVED FOR CLARITY