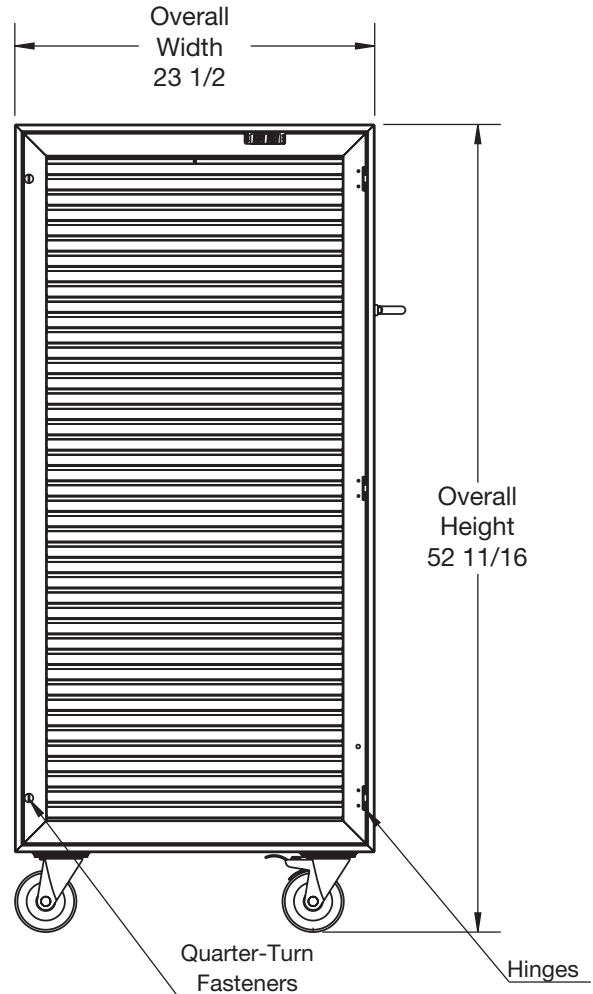
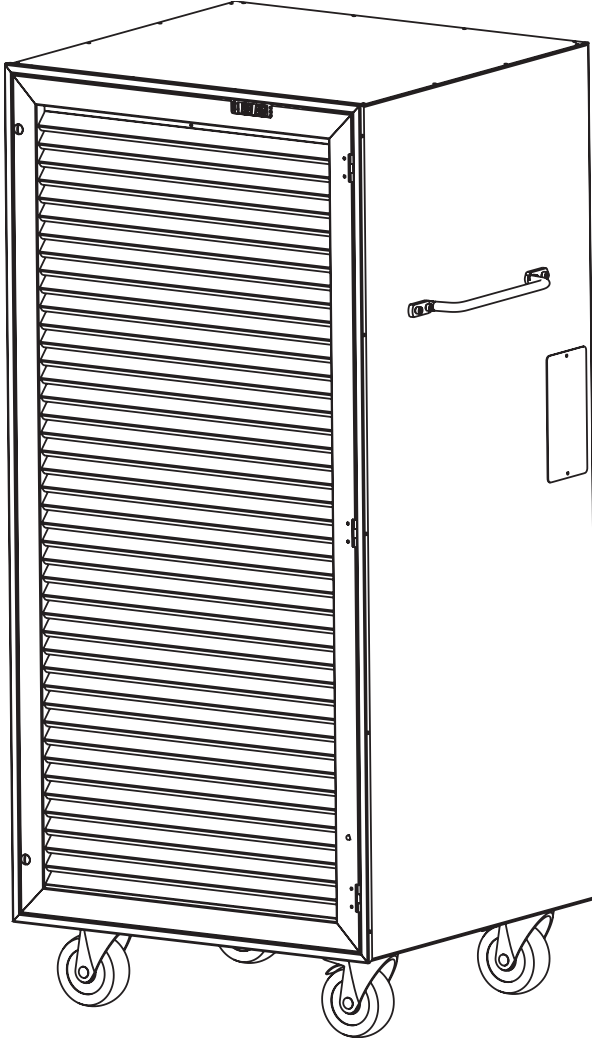


Model: HLC-FPC-Reverse Flow Mobile Cart



Construction Options

304 Stainless Steel (Standard)

Filter Type

- HEPA Filter (2 in pack)
- High Flow HEPA Filter (4 in pack)
- ULPA Filter

Electronic Options

Motor Voltage - 120VAC - 2.8 FLA

Face Control & Display (Standard)

Airflow Sensor (Standard)

On/Off Indicator: Yellow LED (Standard)

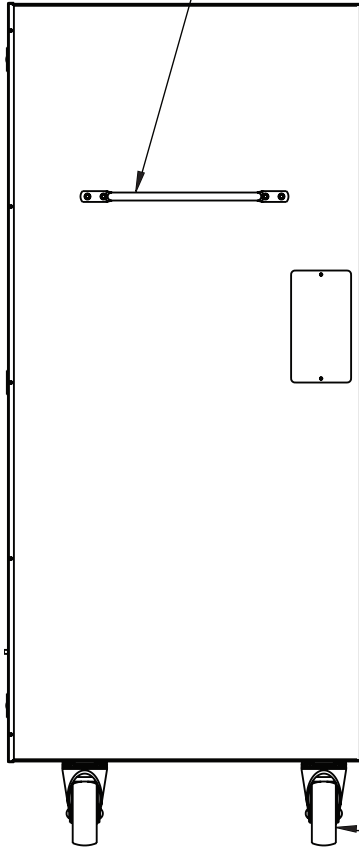
Airflow Indicator: Green LED (Standard)

Filter Indicator: Red LED

1. Available Finishes	2. Available Accessories	3. Available Options	4. Construction Details
01 White 23 Satin Polish		HEPA or ULPA Filters HEPA Alert LED Filter Indicator High Output Antimicrobial UV-C Lamp	<ul style="list-style-type: none"> • Field Configurable Motor Operation - Constant flow or constant speed • Adjustable Face Controller • Sightproof Louvered Face and Ducted Exhaust • 10ft Hospital Grade Cord with Plug • 3-inch Swivel Casters & Push/Pull Handles <p style="text-align: right; font-size: small;">All Dimensions ±1/16"</p>

Model: HLC-FPC-Reverse Flow Mobile Cart

Stainless Steel
Push/Pull Handle



Cord Hook

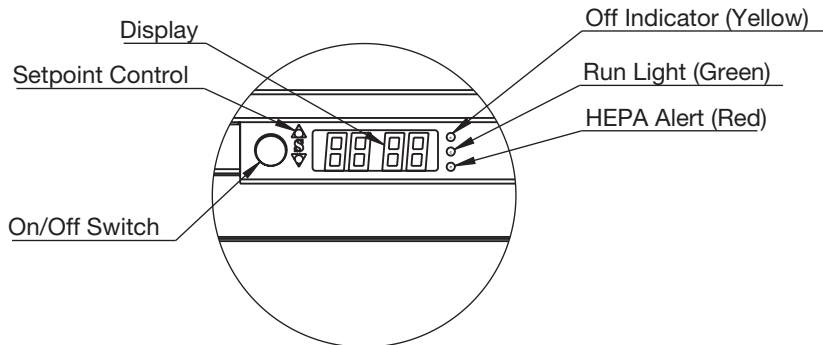
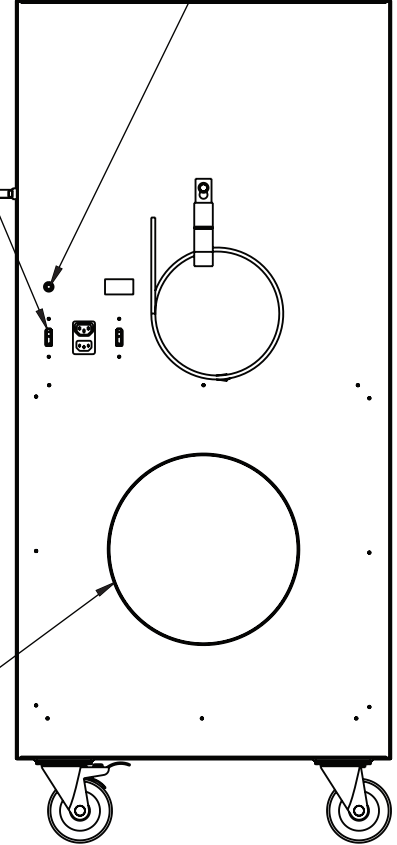
10Ft Hospital Grade
NEMA 5-15 Cord w/Plug
Detachable from Unit

3" Swivel Casters
(2) with Brakes

Main Power
Switch

Main Power
Fuse

ø12" Discharge
Duct Connection



Face Control Details

Model: HLC-FPC-Reverse Flow Mobile Cart

