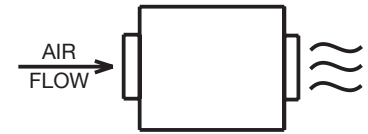
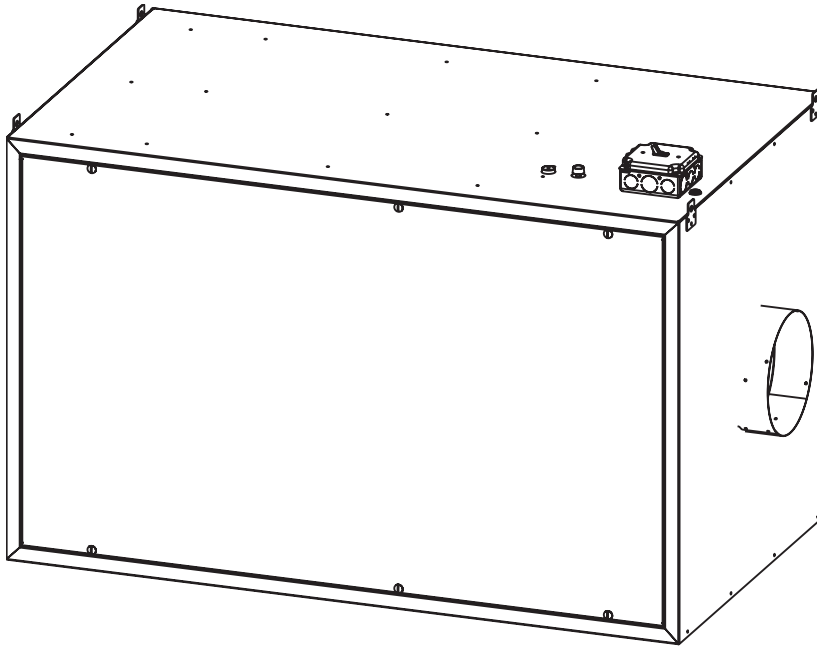


Model: HLC-FPR-ST1
Ducted in-line fan filter unit



Construction Options

- Plenum Material
 - 304 Stainless Steel
 - 316 Stainless Steel
- Inlet Connection Options
 - No Duct Connection
 - _____ Round Connection (6, 8, 10, 12, 14)
- Outlet Connection Options
 - No Duct Connection
 - _____ Round Connection (6, 8, 10, 12, 14)
- Filter Type
 - MERV 8 pre-filter (Standard)
 - HEPA Filter
 - ULPA Filter

Electronic Options

- Motor Voltage
 - 120VAC - 2.8 FLA
 - 208VAC - 2.6 FLA
 - 240VAC - 2.3 FLA
 - 277VAC - 1.9 FLA
- On-board Speed Controller (Standard)
- Airflow Sensor (Standard)
- Continuous Filter Monitoring

1. Available Finishes	2. Available Accessories	3. Available Options	4. Construction Details
01 White 23 Satin Polish		Round Ducted Connection HEPA or ULPA Filters External 1-1/2" Foil Faced Insulation Continuous Filter Monitor High Output Antimicrobial UV-C Lamp	<ul style="list-style-type: none"> • High Efficiency Filters with cam latch retainers • Field Configurable Motor Operation - Constant flow or constant speed <p style="text-align: right; font-size: small;">All Dimensions ±1/16"</p>

Model: HLC-FPR-ST1
Ducted in-line fan filter unit

