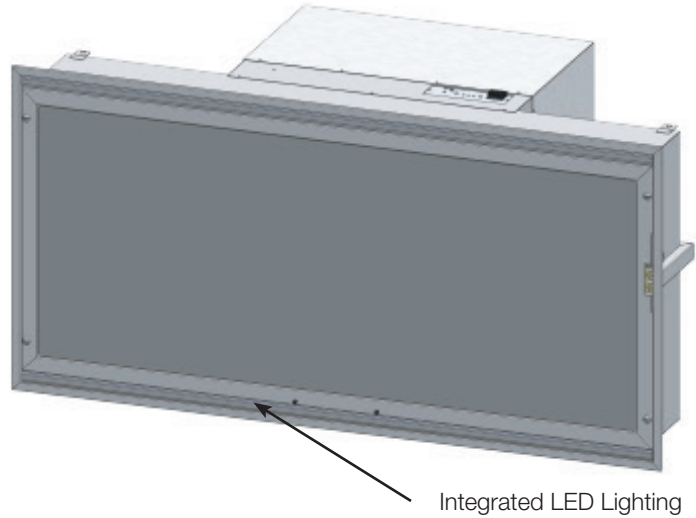


**Model: HLC-FPR-MEA-LED**  
 Fan Filter Return/Exhaust Diffuser with Integral LED Lighting Roomside Replaceable Filter, Roomside Accessible Motor & Electronics

### Construction Options

- Plenum Material
- 304 Stainless Steel
  - 316 Stainless Steel
- Face Material
- Aluminum
  - 304 Stainless Steel
  - 316 Stainless Steel
- Duct Connection Options
- No Duct Connection
  - \_\_\_\_\_ Round Connection (6, 8, 10, 12, 14)
- Filter Type
- MERV 8 pre-filter (Standard)
  - HEPA Filter (2 in pack)
  - High Flow HEPA Filter (4 in pack)
  - ULPA Filter



ETL LISTED  
 CONFORMS TO  
 UL STD 507  
 CERTIFIED TO C22.2 NO. 113



### Electronic Options

- Motor Voltage
- 120VAC - 2.8 FLA
  - 208VAC - 2.6 FLA
  - 240VAC - 2.3 FLA
  - 277VAC - 1.9 FLA
- Face Control & Display (Standard)
- MODBUS RTU Controller
  - BACnet® Controller
- Airflow Sensor (Standard)
- On/Off Indicator: Yellow LED (Standard)
- Airflow Indicator: Green LED (Standard)
- Filter Indicator: Red LED
  - Continuous Filter Monitoring

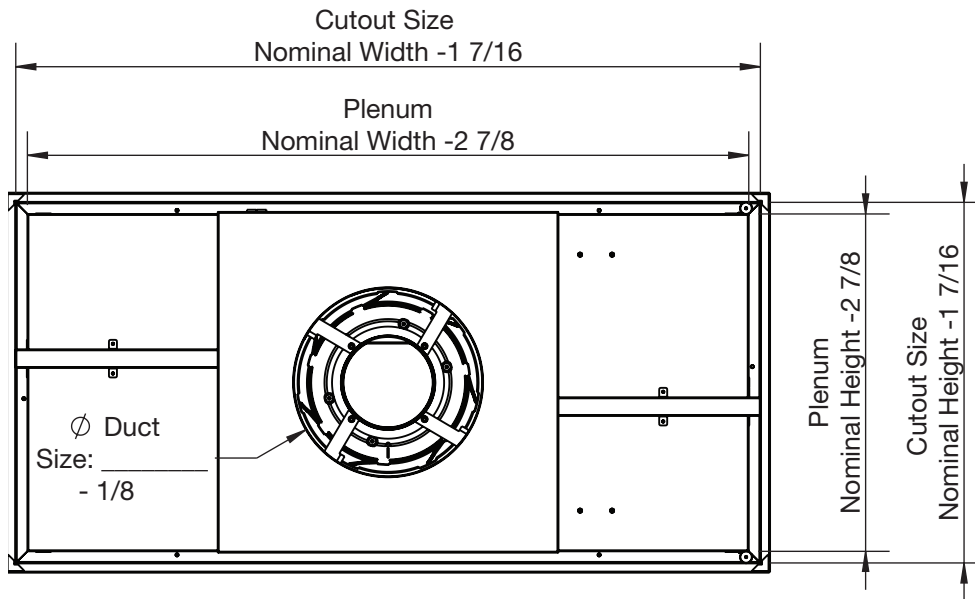
### LED Lighting Options

- UL Listed - 1598 Standard for Luminaires  
 120-277V, 100W, 0-10V Dimmable, Class 2 Driver
- Tunable White: 2700K - 6500K; 90+ CRI
- Tunable Green to White: Green-525nm to 6500K; 90+ CRI
- Fixed Color Temperature
  - Factory pre-set \_\_\_\_\_
- Battery Backup: 20% of light for up to 90 minutes

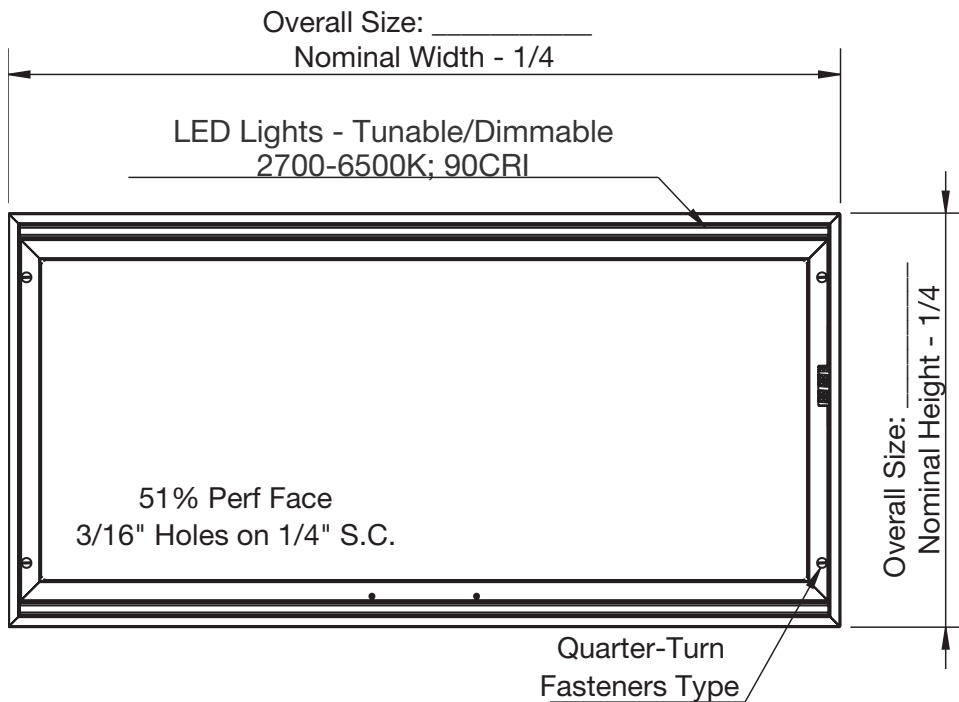
1. Available Finishes	2. Available Accessories	3. Available Options	4. Construction Details
01 White 01 SS White 23 Satin Polish	Basic Wall Controller (one per unit) MODBUS RTU to BACnet Gateway T-Bar Plaster Frame	Round Ducted Connection HEPA or ULPA Filters Tunable White LEDs Tunable Green LEDs Factory Set Color Temperature 90 Minute Battery Backup External 1-1/2" Foil Faced Insulation OSP Approved Seismic Brackets	<ul style="list-style-type: none"> <li>• Integrated Surgical LED Lighting; 90+ CRI</li> <li>• 0-10V Dimmable, Class 2, 120-277V Driver</li> <li>• Fully Welded Knife Edge Frame</li> <li>• Roomside Replaceable Filter</li> <li>• Roomside Accessible Motor &amp; Electronics</li> <li>• Field Configurable Motor Operation                - Constant flow or constant speed</li> </ul> <p style="text-align: right;">All Dimensions ±1/16"</p>

Model: HLC-FPR-MEA-LED

Fan Filter Return/Exhaust Diffuser with Integral LED Lighting Roomside Replaceable Filter, Roomside Accessible Motor & Electronics

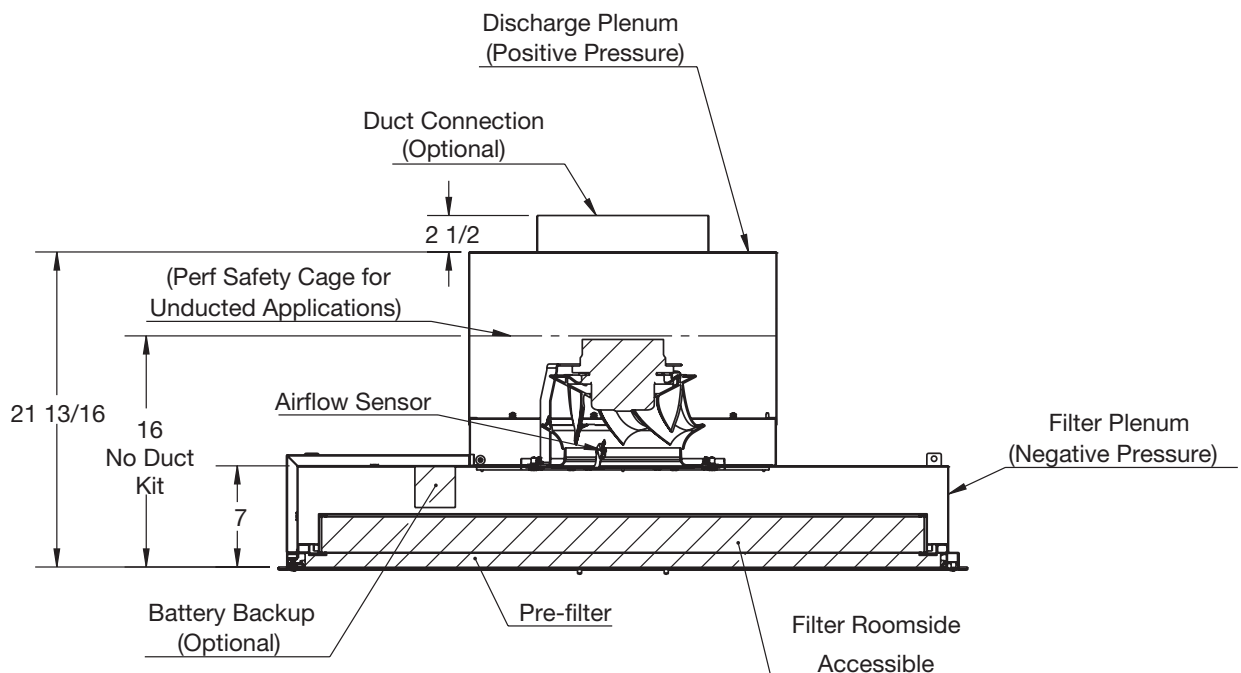
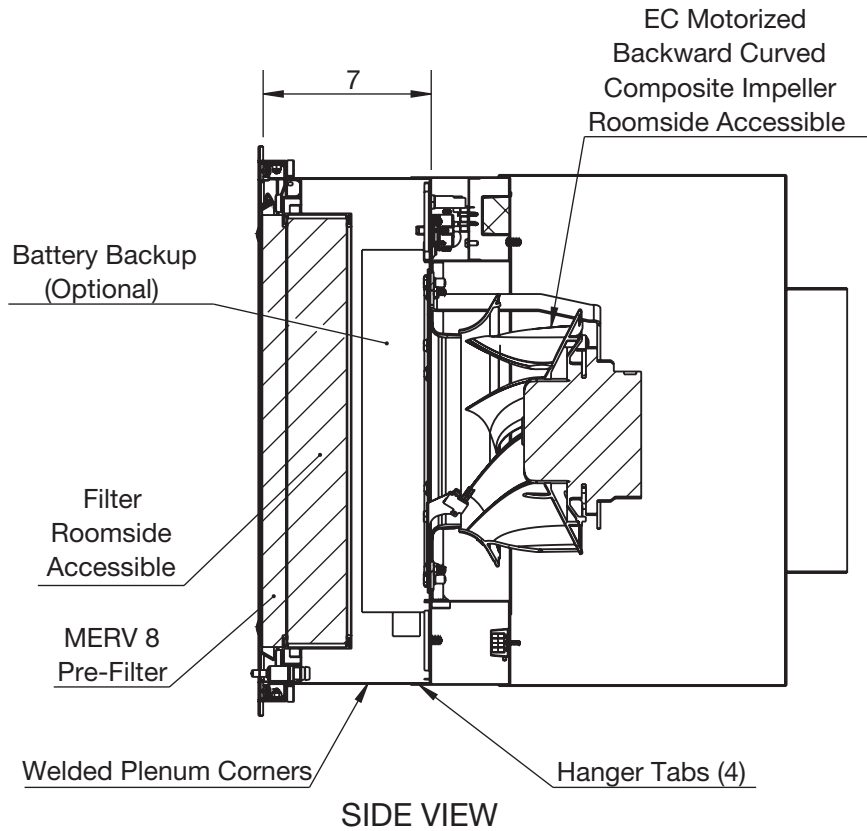


Available Sizes
24 x 24
36 x 24
48 x 24

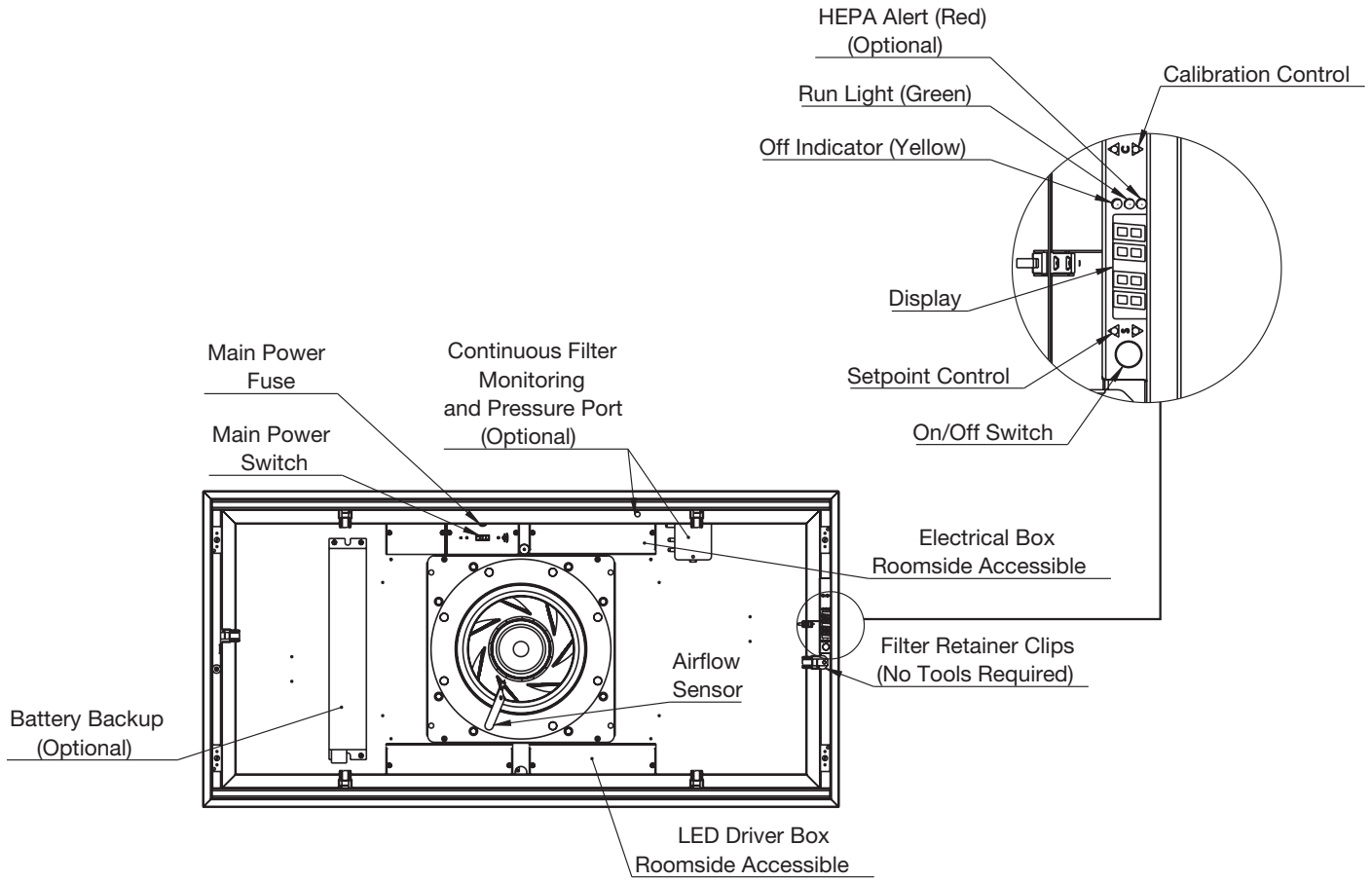


Model: HLC-FPR-MEA-LED

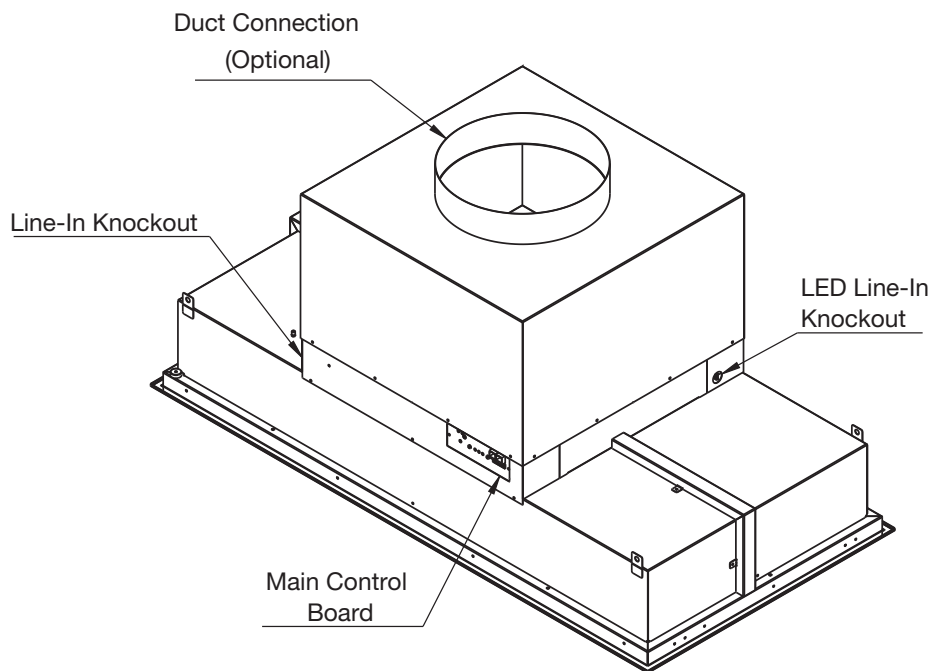
Fan Filter Return/Exhaust Diffuser with Integral LED Lighting Roomside Replaceable Filter, Roomside Accessible Motor & Electronics



Model: HLC-FPR-MEA-LED  
Fan Filter Return/Exhaust Diffuser with Integral LED Lighting Roomside Replaceable Filter, Roomside Accessible Motor & Electronics

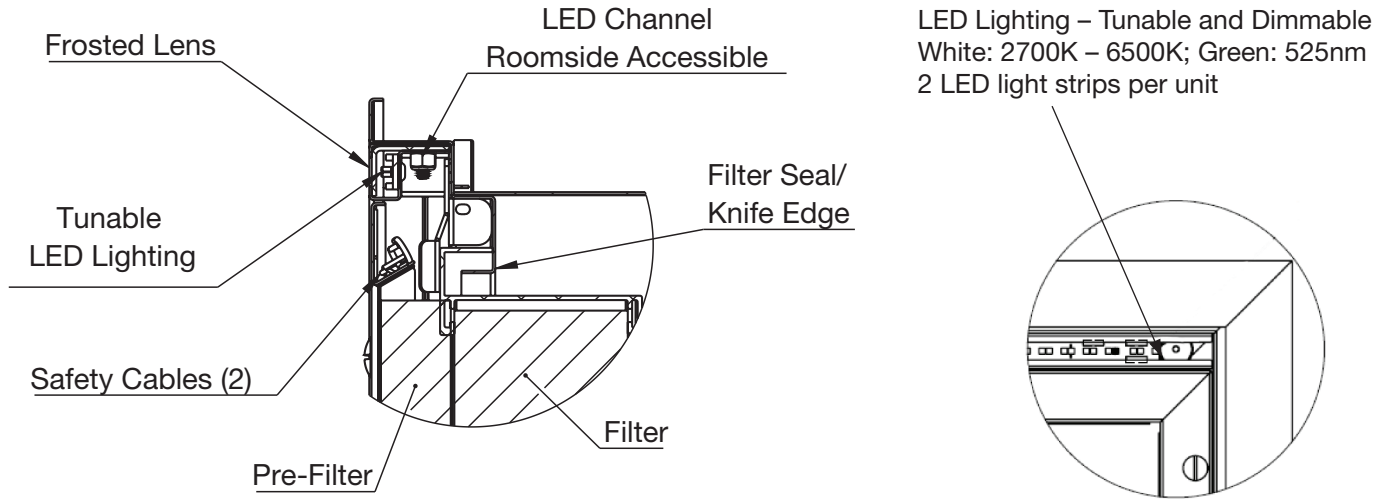


FACE FRAME AND HEPA FILTER REMOVED FOR CLARITY



Model: HLC-FPR-MEA-LED  
Fan Filter Return/Exhaust Diffuser with Integral LED Lighting Roomside Replaceable Filter, Roomside Accessible Motor & Electronics

### LED Lighting Details

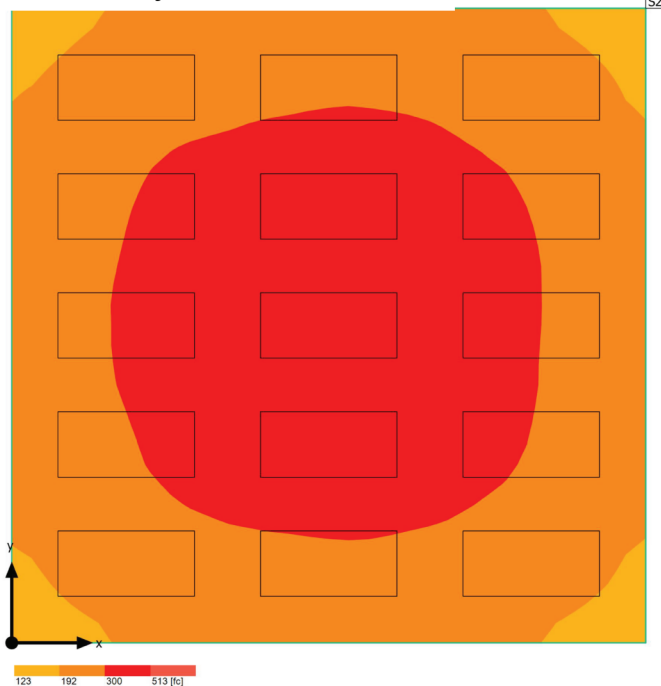


### LED Lighting Illumination Example

48 x 24 SSLF-LED Example Lighting

Building 1 · Storey 1 · Room 1 (Light scene 4 (Room 1))

#### Calculation objects



#### Room Parameters:

- 18 Ft SQ - 10 Ft. Ceiling Height
- 3 Ft. Working Plane
- Example Layout with 48 x 24 LED Diffusers
- Lighting will vary depending on actual room conditions
- Does not account for any additional lighting in the room

Work planes

Properties	E (Target)	E <sub>min</sub>	E <sub>max</sub>	g <sub>1</sub>	g <sub>2</sub>	Index
Workplane (Room 1) Perpendicular illuminance (adaptive) Height: 3.000 ft, Wall zone: 0.000 ft	277 fc (≥ 92.9 fc)	151 fc	351 fc	0.55	0.43	□
	✓					